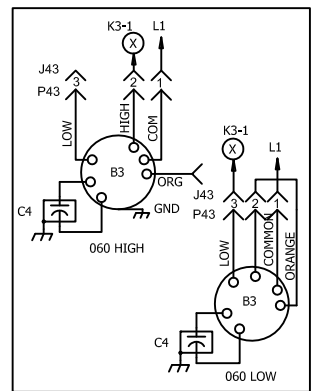
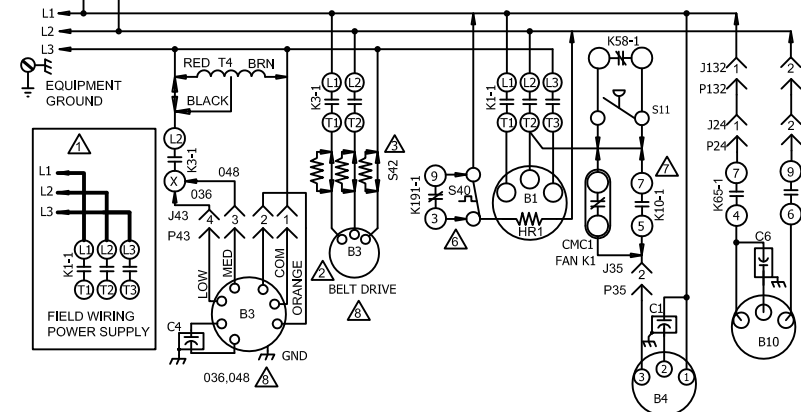



| KEY     | COMPONENT                           |
|---------|-------------------------------------|
| A6      | CONTROL, SOLID STATE ENTHALPY       |
| A171    | SENSOR ONE, SMOKE, RETURN AIR       |
| A172    | SENSOR TWO, SMOKE, SUPPLY AIR       |
| A173    | MODULE, CONTROL SMOKE DETECTION     |
| B1      | COMPRESSOR                          |
| B3      | MOTOR, BLOWER                       |
| B4      | MOTOR, OUTDOOR FAN                  |
| B7      | DAMPER MOTOR, ECONOMIZER            |
| B10     | MOTOR, EXHAUST FAN                  |
| C1      | CAPACITOR, OUTDOOR FAN              |
| C4      | CAPACITOR, BLOWER MOTOR             |
| C6      | CAPACITOR, EXHAUST FAN              |
| CB8     | CIRCUIT, BREAKER                    |
| CMC1    | TIMER, DEFROST COMPRESSOR 1         |
| DL46    | DELAY, OVERFLOW SWITCH              |
| DL48    | DELAY, CRANKCASE HEATER             |
| HR1     | HEATER, COMPRESSOR                  |
| K1-1    | CONTACTOR, COMPRESSOR               |
| K3-1    | CONTACTOR, BLOWER                   |
| K8-1-2  | CIRCUIT, BREAKER                    |
| K10-1   | RELAY, OUTDOOR FAN 1                |
| K58-1   | RELAY, LOW AMBIENT KIT              |
| K65-1,2 | RELAY, EXHAUST FAN                  |
| K191-1  | RELAY, CRANKCASE HEATER 1           |
| K220-1  | RELAY, OVERFLOW DELAY               |
| L1      | VALVE, REVERSING                    |
| S3      | SWITCH, LIMIT LOW COMPRESSOR 1      |
| S4      | SWITCH, LIMIT HI PRESS COMPRESSOR 1 |
| S5      | SWITCH, LIMIT HI TEMP COMPRESSOR 1  |
| S6      | SWITCH, DEFROST, COMPRESSOR 1       |
| S11     | SWITCH, LOW PRESS, LOW AMBIENT KIT  |
| S40     | THERMOSTAT, CRANKCASE               |
| S42     | SWITCH, OVERLOAD RELAY BLOWER MOTOR |
| S49     | SWITCH, FREEZE/STAT                 |
| S52     | SWITCH, AIRFLOW                     |
| S87     | SWITCH, LOW PRESSURE, COMPRESSOR 1  |
| S149    | SWITCH, OVERFLOW                    |
| T1      | TRANSFORMER, CONTROL                |
| T4      | TRANSFORMER, BLOWER MOTOR           |



| J / P | JACK / PLUG DESCRIPTION         |
|-------|---------------------------------|
| 2     | HEAT                            |
| 3     | UNIT ECONOMIZER                 |
| 10    | ECONOMIZER                      |
| 18    | EXHAUST FAN                     |
| 24    | EXHAUST FAN                     |
| 35    | TEST                            |
| 43    | BLOWER MOTOR                    |
| 45    | INPUT                           |
| 132   | BLOWER, EXHAUST FAN MOTOR       |
| 250   | SMOKE ONE                       |
| 251   | SENSOR ONE                      |
| 252   | SMOKE TWO                       |
| 253   | SENSOR TWO                      |
| 255   | MODULE, CONTROL SMOKE DETECTION |
| 261   | SMOKE DETECTOR JUMPER           |

**NOTE - IF ANY WIRE IN THIS APPLIANCE IS REPLACED IT MUST BE REPLACED WITH WIRE OF LIKE SIZE, RATING, TERMINATION AND INSULATION THICKNESS**  
**WARNING - ELECTRIC SHOCK HAZARD, CAN CAUSE INJURY OR DEATH . UNIT MUST BE GROUNDED IN ACCORDANCE WITH NATIONAL AND LOCAL CODES**  
**DISCONNECT ALL POWER BEFORE SERVICING.**

← DENOTES OPTIONAL COMPONENTS  
 — LINE VOLTAGE FIELD INSTALLED

|  |  |                |       |
|--|--|----------------|-------|
| 08/15                                      |  | WIRING DIAGRAM | 08/15 |
|  |  | 537779-01      |       |
| COOLING                                    |  |                |       |
| KHA,B - 036, 048, 060, 072, 074 - G, J,M,Y |  |                |       |
| SECTION B                                  |  |                | REV 1 |
| Supersedes                                 |  | New Form No.   |       |
| 537633-01                                  |  | 537779-01      |       |