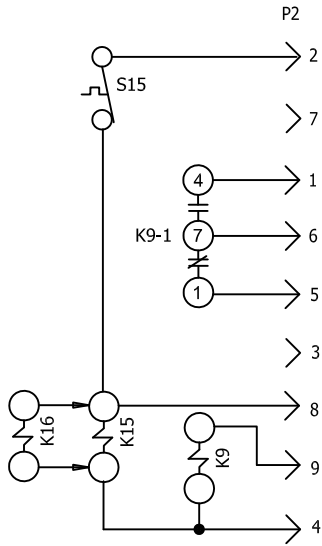
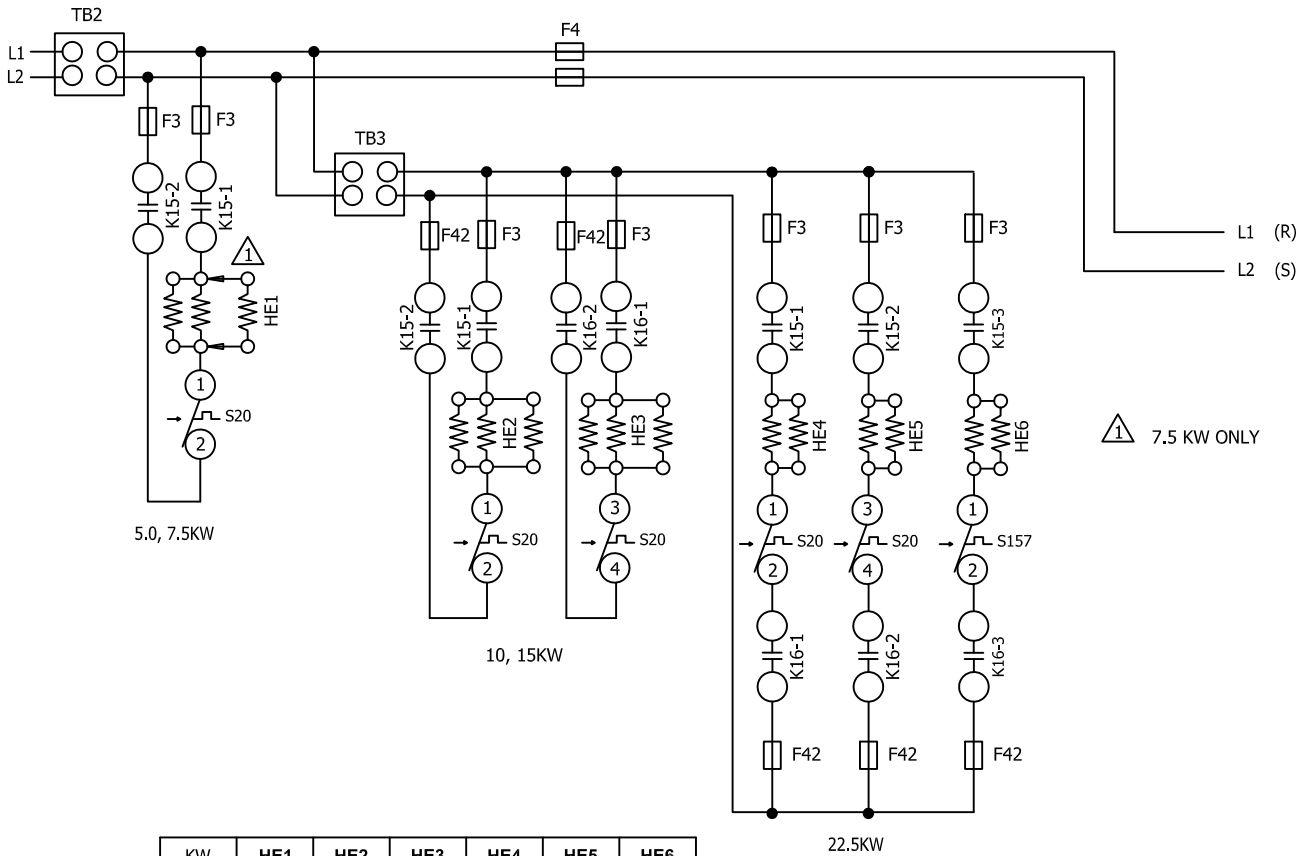


24V POWER




KEY	DESCRIPTION
F3	FUSE, ELECTRIC HEAT
F4	FUSE, UNIT
F42	FUSE, ELECTRIC HEAT 2
HE1	ELEMENT, ELECTRIC HEAT 1
HE2	ELEMENT, ELECTRIC HEAT 2
HE3	ELEMENT, ELECTRIC HEAT 3
HE4	ELEMENT, ELECTRIC HEAT 4
HE5	ELEMENT, ELECTRIC HEAT 5
HE6	ELEMENT, ELECTRIC HEAT 6
K9,-1	RELAY HEAT
K15, -1,2,3	CONTACTOR, ELECTRIC HEAT
K16, -1,2,3	CONTACTOR, ELECTRIC HEAT 2
P2	PLUG, UNIT HEAT
S15	SWITCH, LIMIT PRIMARY ELECTRIC HEAT
S20	SWITCH, LIMIT SECONDARY ELECTRIC HEAT
S157	SWITCH, LIMIT SECONDARY ELECTRIC HEAT 2
TB 2	TERMINAL STRIP, UNIT 2
TB 3	TERMINAL STRIP, ELECTRIC HEAT CIRCUIT



	KW	HE1	HE2	HE3	HE4	HE5	HE6
024 - 030	5.0	5.0					
	10.0		5.0	5.0			
036 - 048	7.5	7.5					
	15		7.5	7.5			
060	22.5				7.5	7.5	7.5

← DENOTES OPTIONAL COMPONENTS

08/14		WIRING DIAGRAM	08/14
		537783-01	
HEATING - ELECTRIC			
T1EH - 7.5, 10, 15, 22.5 - P K1EH - 5.0 - P, A - BOX			
SECTION A			REV 0
Supersedes		New Form No.	
535.048W		537783-01	