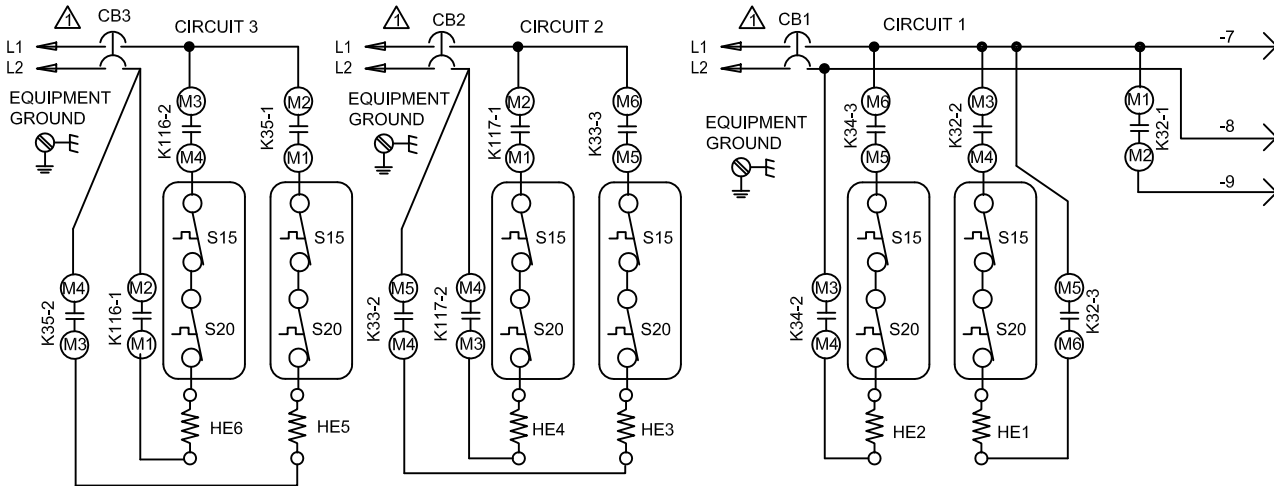


KEY	DESCRIPTION	COMPONENT
CB1	CIRCUIT BREAKER-ELECT HEAT	
CB2	CIRCUIT BREAKER-ELECT HEAT	
CB3	CIRCUIT BREAKER-ELECT HEAT	
HE1	ELEMENT-ELECTRIC HEAT 1	
HE2	ELEMENT-ELECTRIC HEAT 2	
HE3	ELEMENT-ELECTRIC HEAT 3	
HE4	ELEMENT-ELECTRIC HEAT 4	
HE5	ELEMENT-ELECTRIC HEAT 5	
HE6	ELEMENT-ELECTRIC HEAT 6	
K32,-1,2,3	RELAY-ELECTRIC HEAT	
K33,-1,2	RELAY-ELECTRIC HEAT	
K34,-1,2	RELAY-SEQUENCER,ELECTRIC HEAT	

KEY	DESCRIPTION	COMPONENT
K35,-1,2	RELAY-SEQUENCER,ELECTRIC HEAT	
K116,-1	RELAY-SEQUENCER,ELECTRIC HEAT	
K117,-1	RELAY-SEQUENCER,ELECTRIC HEAT	
P2	PLUG-ELECTRIC HEAT	
S15	SWITCH-LIMIT,PRIMARY,ELECT HEAT	
S20	SWITCH-LIMIT,SECONDARY,ELECT HEAT	

KW	AMPS
25KW	(3)50A
30KW	(3)60A

CIRCUIT BREAKERS



LINE VOLTAGE FIELD INSTALLED

NOTE: USE COPPER CONDUCTORS ONLY
 REFER TO UNIT NAMEPLATE FOR MINIMUM
 CIRCUIT AMPACITY AND MAXIMUM
 OVERCURRENT PROTECTION SIZE.

HEATING-ELECTRIC	
ECB29-25CB,30CB-P	
Supersedes	
0814	Form No. 537786-01