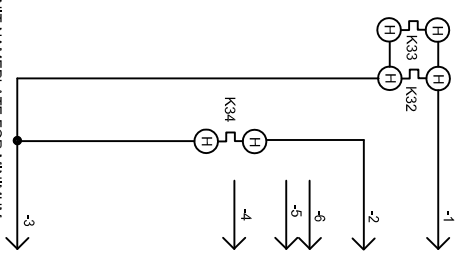
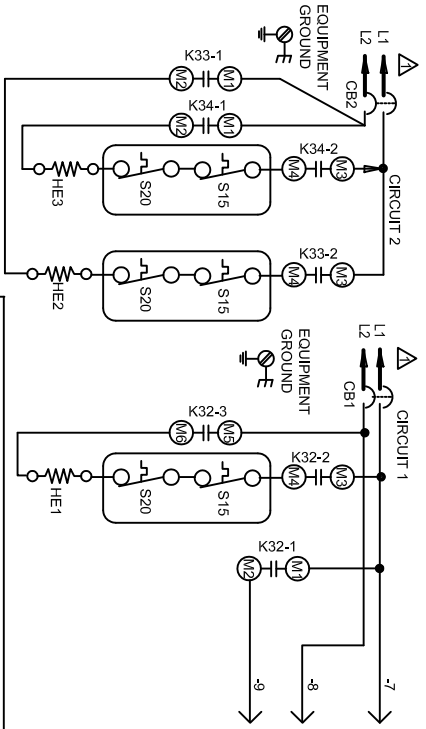


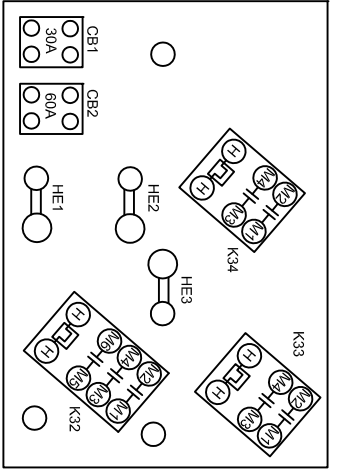
KEY	DESCRIPTION
CB1	CIRCUIT BREAKER-ELECT HEAT
CB2	CIRCUIT BREAKER-ELECT HEAT
HE1	ELEMENT-ELECTRIC HEAT 1
HE2	ELEMENT-ELECTRIC HEAT 2
HE3	ELEMENT-ELECTRIC HEAT 3
K32-1,2	RELAY-ELECTRIC HEAT
K33-1,2	RELAY-ELECTRIC HEAT
K34-1,2	RELAY-ELECTRIC HEAT
P2	PLUG-ELECTRIC HEAT
S16	SWITCH-LIMIT PRIMARY ELECT HEAT
S20	SWITCH-LIMIT SECONDARY ELECT HEAT



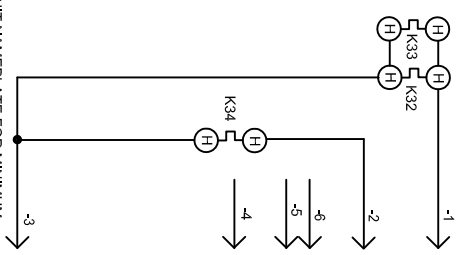
NOTE: USE COPPER CONDUCTORS ONLY



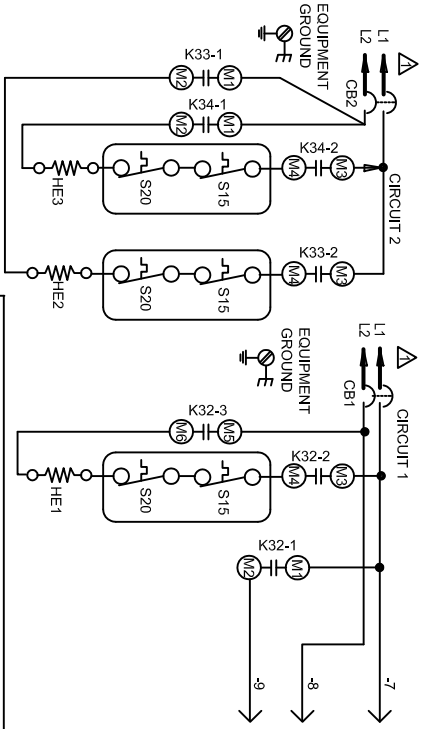
REFER TO UNIT NAMEPLATE FOR MINIMUM CIRCUIT AMPACITY AND MAXIMUM OVERCURRENT PROTECTION SIZE.
 LINE VOLTAGE FIELD INSTALLED
 DENOTES OPTIONAL COMPONENTS



KEY	DESCRIPTION
CB1	CIRCUIT BREAKER-ELECT HEAT
CB2	CIRCUIT BREAKER-ELECT HEAT
HE1	ELEMENT-ELECTRIC HEAT 1
HE2	ELEMENT-ELECTRIC HEAT 2
HE3	ELEMENT-ELECTRIC HEAT 3
K32-1,2	RELAY-ELECTRIC HEAT
K33-1,2	RELAY-ELECTRIC HEAT
K34-1,2	RELAY-ELECTRIC HEAT
P2	PLUG-ELECTRIC HEAT
S16	SWITCH-LIMIT PRIMARY ELECT HEAT
S20	SWITCH-LIMIT SECONDARY ELECT HEAT



NOTE: USE COPPER CONDUCTORS ONLY



REFER TO UNIT NAMEPLATE FOR MINIMUM CIRCUIT AMPACITY AND MAXIMUM OVERCURRENT PROTECTION SIZE.
 LINE VOLTAGE FIELD INSTALLED
 DENOTES OPTIONAL COMPONENTS

HEATING UNITS-ELECTRIC

ECB29-12.5CB-6P
 ECB29-15CB-6P

2 HEAT 2 COOL

Supersedes



Form No. 537787-01

HEATING UNITS-ELECTRIC

ECB29-12.5CB-6P
 ECB29-15CB-6P

2 HEAT 2 COOL

Supersedes



Form No. 537787-01