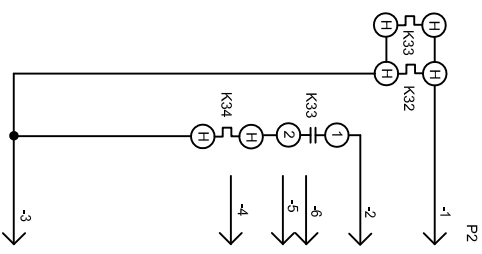
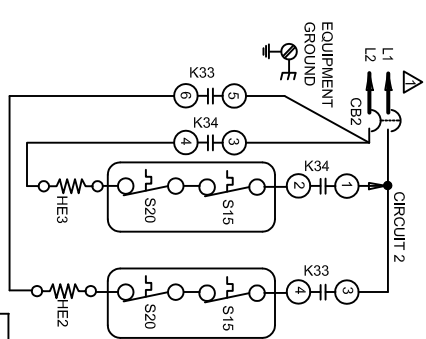


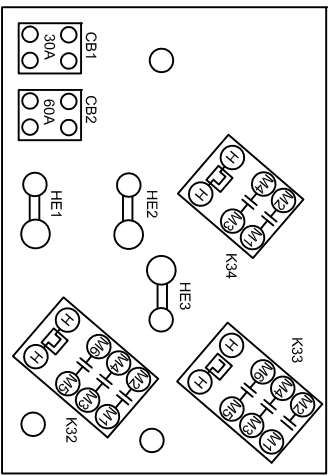
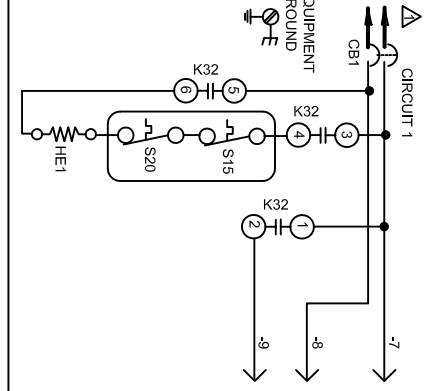
KEY	DESCRIPTION
CB1	CIRCUIT BREAKER-ELECT HEAT
CB2	CIRCUIT BREAKER-ELECT HEAT
HE1	ELEMENT-ELECTRIC HEAT 1
HE2	ELEMENT-ELECTRIC HEAT 2
HE3	ELEMENT-ELECTRIC HEAT 3
K32	RELAY-ELECTRIC HEAT
K33	RELAY-ELECTRIC HEAT
K34	RELAY-ELECTRIC HEAT
P2	PLUG-ELECTRIC HEAT
S15	SWITCH-LIMIT PRIMARY ELECT HEAT
S20	SWITCH-LIMIT SECONDARY ELECT HEAT



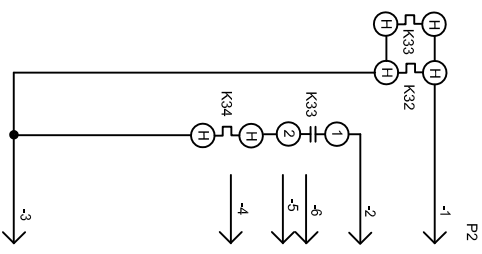
NOTE: USE COPPER CONDUCTORS ONLY



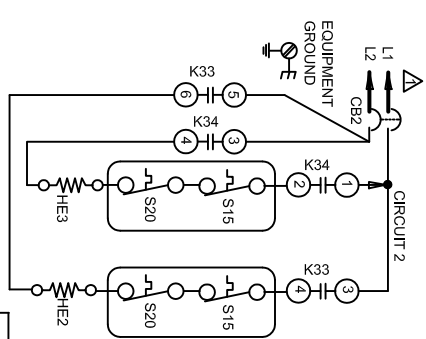
REFER TO UNIT NAMEPLATE FOR MINIMUM CIRCUIT AMPACITY AND MAXIMUM OVERCURRENT PROTECTION SIZE.  
 LINE VOLTAGE FIELD INSTALLED  
 DENOTES OPTIONAL COMPONENTS



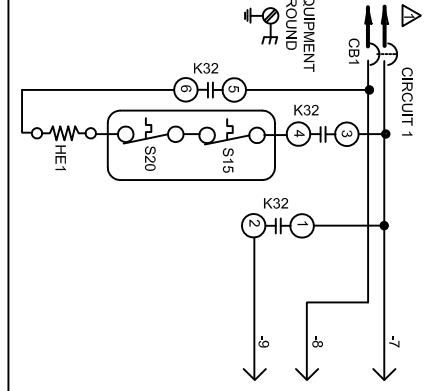
KEY	DESCRIPTION
CB1	CIRCUIT BREAKER-ELECT HEAT
CB2	CIRCUIT BREAKER-ELECT HEAT
HE1	ELEMENT-ELECTRIC HEAT 1
HE2	ELEMENT-ELECTRIC HEAT 2
HE3	ELEMENT-ELECTRIC HEAT 3
K32	RELAY-ELECTRIC HEAT
K33	RELAY-ELECTRIC HEAT
K34	RELAY-ELECTRIC HEAT
P2	PLUG-ELECTRIC HEAT
S15	SWITCH-LIMIT PRIMARY ELECT HEAT
S20	SWITCH-LIMIT SECONDARY ELECT HEAT



NOTE: USE COPPER CONDUCTORS ONLY



REFER TO UNIT NAMEPLATE FOR MINIMUM CIRCUIT AMPACITY AND MAXIMUM OVERCURRENT PROTECTION SIZE.  
 LINE VOLTAGE FIELD INSTALLED  
 DENOTES OPTIONAL COMPONENTS



HEATING UNITS-ELECTRIC

ECB29-12.5CB-7P  
 ECB29-15CB-7P

2 HEAT 2 COOL

Supersedes

0415



Form No.  
 537787-02

© 2011

Utiko U.S.A.

HEATING UNITS-ELECTRIC

ECB29-12.5CB-7P  
 ECB29-15CB-7P

2 HEAT 2 COOL

Supersedes

0415



Form No.  
 537787-02

© 2011

Utiko U.S.A.