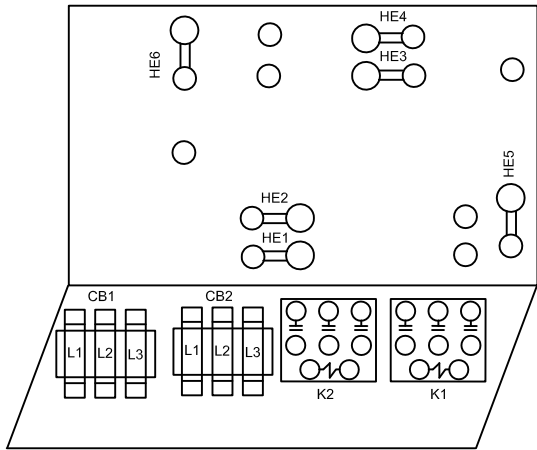


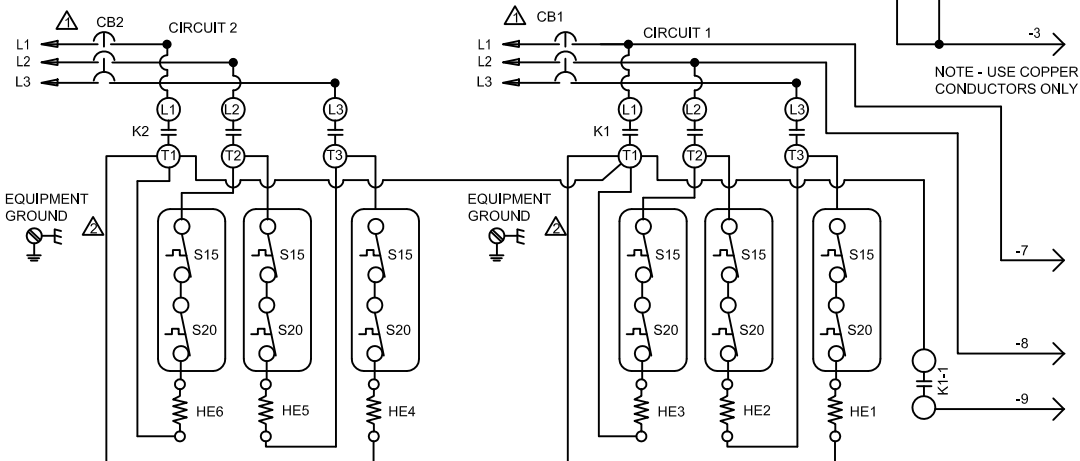
Cut Size:
5 - 3/4" wide x 7-1/2" tall



| KEY | DESCRIPTION | COMPONENT |
|-------|------------------------------------|-----------|
| CB1 | CIRCUIT BREAKER-ELECT HEAT | |
| CB2 | CIRCUIT BREAKER-ELECT HEAT | |
| HE1,2 | ELEMENT-ELECTRIC HEAT | |
| HE3,4 | ELEMENT-ELECTRIC HEAT | |
| HE5,6 | ELEMENT-ELECTRIC HEAT | |
| P2 | PLUG-ELECTRIC HEAT | |
| K1 | CONTACTOR | |
| K2 | CONTACTOR | |
| S15 | SWITCH-LIMIT, PRIMARY ELECT HEAT | |
| S20 | SWITCH-LIMIT, SECONDARY ELECT HEAT | |

| CIRCUIT BREAKERS | | |
|------------------|--------|--------|
| UNIT | CRT. 1 | CRT. 2 |
| 20CB | 35A | 35A |
| 25CB | 45A | 45A |

— LINE VOLTAGE FIELD INSTALLED
 — DENOTES OPTIONAL COMPONENTS



△ REFER TO UNIT NAMEPLATE FOR MINIMUM CIRCUIT AMPACITY AND MAXIMUM OVERCURRENT PROTECTION SIZE.

| | |
|---------------------|-----------------------|
| HEATING-ELECTRIC | |
| ECB29-20CB,25CB-4-Y | |
| 0216 | Form No. 537788-01 |