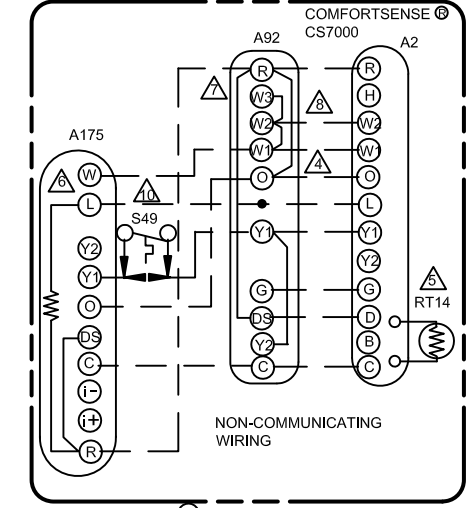


CFM PROFILE SELECTION			
MODEL	FAN RPM PROFILE	STAGE 1 RPM	EDA STAGE RPM
024	1	450	450
030	2	500	500
036	4	600	600
042	4	600	600
048	4	600	600
060	6	675	675


- ⚠️ RESISTOR KIT (47W97) IS REQUIRED WHEN USING COMFORTSENSE 7000 (Y0349) WITH A175 OUTDOOR CONTROL. RESISTOR KIT NOT REQUIRED WHEN USING COMFORTSENSE 7000 (Y2081)
- ⚠️ CUT ON-BOARD LINK FROM DS TO R FOR DEHUMIDIFICATION ON A92
- ⚠️ METAL JUMPERS ACROSS W1, W2, AND W3 COME FROM FACTORY
- ⚠️ OPTIONAL LOW AMBIENT CONTROLS
- ⚠️ TYPICAL FREEZESTAT
- ⚠️ S173 SWITCH USED ONLY IN UNITS EQUIPPED WITH COMPRESSORS WHICH DO NOT INCLUDE INTERNAL SWITCH



LENNOX HEAT PUMP OUTDOOR UNITS

SL18XP1

Supersedes

0914  **Form No. 537791-01**

© 2011 Litho U.S.A.