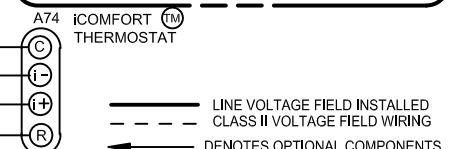
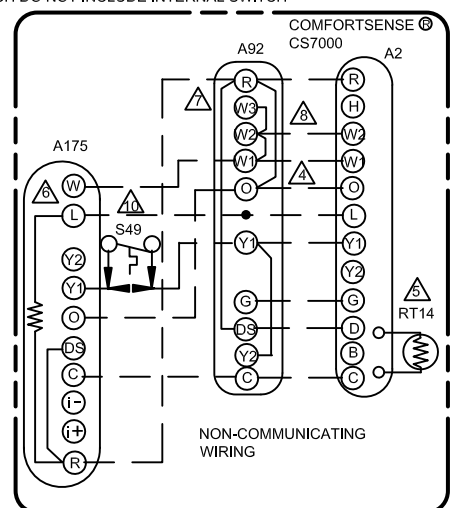
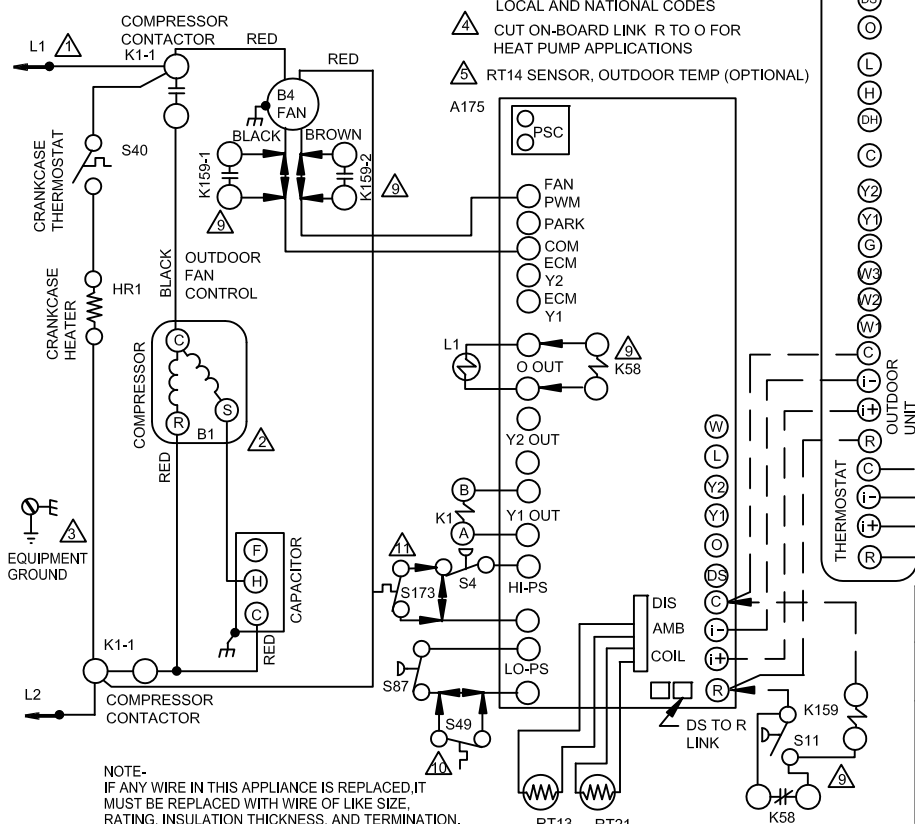


RPM OF OUTDOOR FAN MOTOR			
UNIT MODEL	FAN PROFILE	DISPLAY ON OUTDOOR CONTROL	ACTUAL
SL18XP1-024	0	400	725
SL18XP1-030	1	450	800
SL18XP1-036	1	450	800
SL18XP1-042	1	450	800
SL18XP1-048	1	450	800
SL18XP1-060	2	500	870

- ▲ RESISTOR KIT (47W97) IS REQUIRED WHEN USING COMFORTSENSE 7000 (Y0349) WITH A175 OUTDOOR CONTROL. RESISTOR KIT NOT REQUIRED WHEN USING COMFORTSENSE 7000 (Y2081)
- ▲ CUT ON-BOARD LINK FROM DS TO R FOR DEHUMIDIFICATION ON A92
- ▲ METAL JUMPERS ACROSS W1, W2, AND W3 COME FROM FACTORY
- ▲ OPTIONAL LOW AMBIENT CONTROLS
- ▲ TYPICAL FREEZESTAT
- ▲ S173 SWITCH USED ONLY IN UNITS EQUIPPED WITH COMPRESSORS WHICH DO NOT INCLUDE INTERNAL SWITCH

- ▲ NOTE-FOR USE WITH COPPER CONDUCTORS ONLY. REFER TO UNIT RATING PLATE FOR MINIMUM CIRCUIT AMPACITY AND MAXIMUM OVERCURRENT PROTECTION SIZE
- ▲ REFER TO COMPRESSOR IN UNIT FOR ACTUAL TERMINAL ARRANGEMENT
- ▲ WARNING-ELECTRIC SHOCK HAZARD CAN CAUSE INJURY OR DEATH. UNIT MUST BE GROUNDED IN ACCORDANCE WITH LOCAL AND NATIONAL CODES
- ▲ CUT ON-BOARD LINK R TO O FOR HEAT PUMP APPLICATIONS
- ▲ RT14 SENSOR, OUTDOOR TEMP (OPTIONAL)



— LINE VOLTAGE FIELD INSTALLED
 - - - CLASS II VOLTAGE FIELD WIRING
 ← DENOTES OPTIONAL COMPONENTS

NOTE-
 IF ANY WIRE IN THIS APPLIANCE IS REPLACED, IT MUST BE REPLACED WITH WIRE OF LIKE SIZE, RATING, INSULATION THICKNESS, AND TERMINATION.

LENNOX HEAT PUMP OUTDOOR UNITS

SL18XP1

Supersedes

0615
Form No.
537791-01

© 2011 Litho U.S.A.