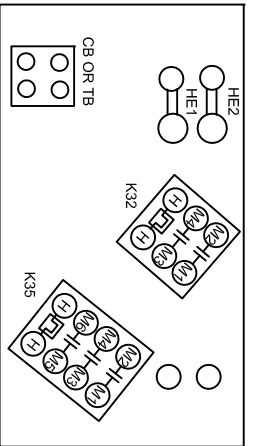
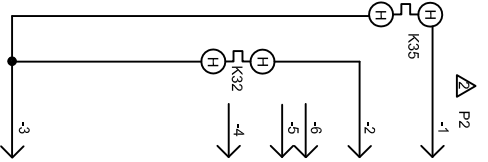


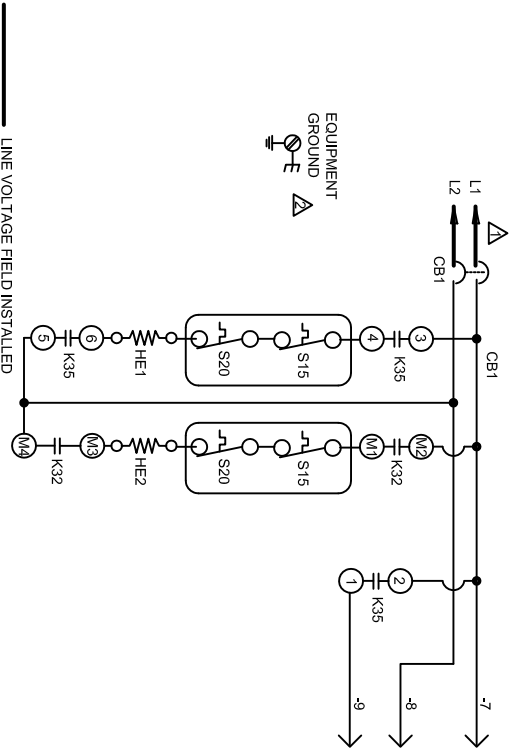
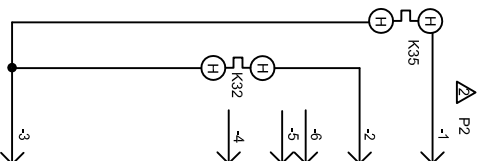
KEY	COMPONENT
CB1	CIRCUIT BREAKER-ELECT HEAT
HE1	ELEMENT-ELECTRIC HEAT 1
HE2	ELEMENT-ELECTRIC HEAT 2
K35	RELAY-ELECTRIC HEAT
P2	PLUG-ELECTRIC HEAT
S15	SWITCH-LIMIT PRIMARY ELECT HEAT
S20	SWITCH-LIMIT SECONDARY ELECT HEAT

- NOTE: USE COPPER CONDUCTORS ONLY
- REFER TO UNIT NAMEPLATE FOR MINIMUM CIRCUIT AMPACITY AND MAXIMUM OVERCURRENT PROTECTION SIZE.
- EQUIPMENT GROUND IS LOCATED IN INDOOR UNIT



KEY	COMPONENT
CB1	CIRCUIT BREAKER-ELECT HEAT
HE1	ELEMENT-ELECTRIC HEAT 1
HE2	ELEMENT-ELECTRIC HEAT 2
K35	RELAY-ELECTRIC HEAT
K32	RELAY-ELECTRIC HEAT
P2	PLUG-ELECTRIC HEAT
S15	SWITCH-LIMIT PRIMARY ELECT HEAT
S20	SWITCH-LIMIT SECONDARY ELECT HEAT

- NOTE: USE COPPER CONDUCTORS ONLY
- REFER TO UNIT NAMEPLATE FOR MINIMUM CIRCUIT AMPACITY AND MAXIMUM OVERCURRENT PROTECTION SIZE.
- EQUIPMENT GROUND IS LOCATED IN INDOOR UNIT



LINE VOLTAGE FIELD INSTALLED

HEATING UNITS-ELECTRIC

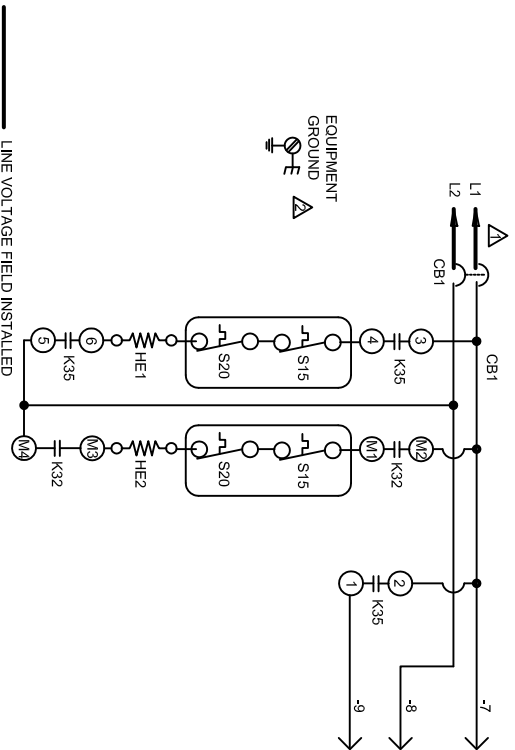
AEHK09CB-1

2 HEAT 2 COOL

Supersedes



Form No. 537802-01



LINE VOLTAGE FIELD INSTALLED

HEATING UNITS-ELECTRIC

AEHK09CB-1

2 HEAT 2 COOL

Supersedes



Form No. 537802-01