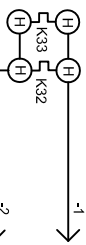
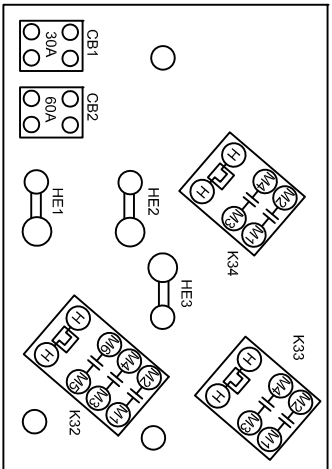
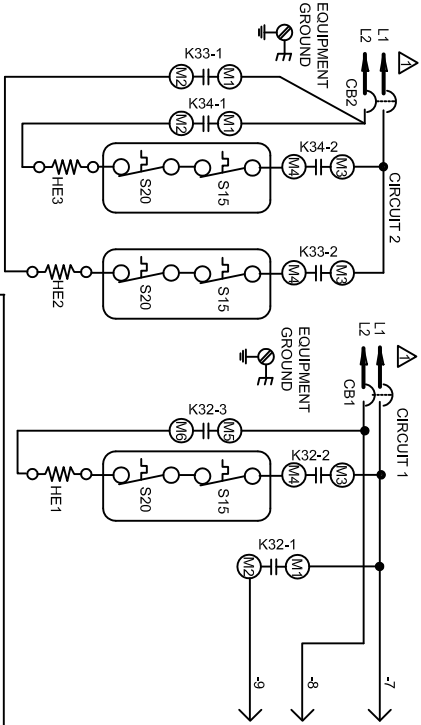


KEY	DESCRIPTION
CB1	CIRCUIT BREAKER-ELECT HEAT
CB2	CIRCUIT BREAKER-ELECT HEAT
HE1	ELEMENT-ELECTRIC HEAT 1
HE2	ELEMENT-ELECTRIC HEAT 2
HE3	ELEMENT-ELECTRIC HEAT 3
K32-1,2	RELAY-ELECTRIC HEAT
K33-1,2	RELAY-ELECTRIC HEAT
P2	PLUG-ELECTRIC HEAT
S15	SWITCH-LIMIT PRIMARY ELECT HEAT
S20	SWITCH-LIMIT SECONDARY ELECT HEAT

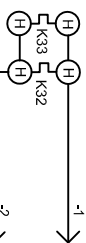


REFER TO UNIT NAMEPLATE FOR MINIMUM CIRCUIT AMPACITY AND MAXIMUM OVERCURRENT PROTECTION SIZE.  
 \_\_\_\_\_ LINE VOLTAGE FIELD INSTALLED

NOTE: USE COPPER CONDUCTORS ONLY

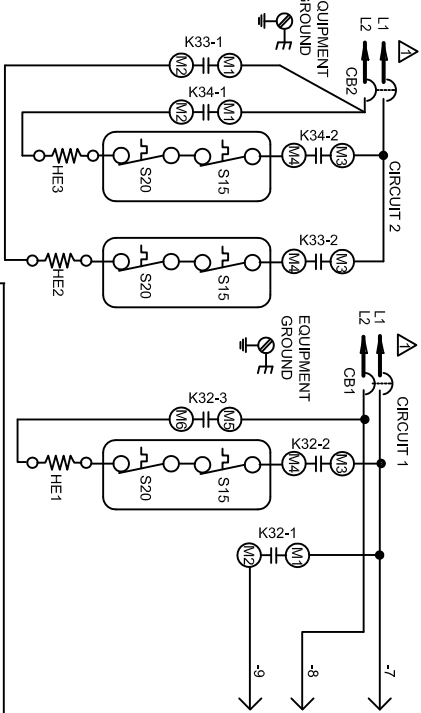


KEY	DESCRIPTION
CB1	CIRCUIT BREAKER-ELECT HEAT
CB2	CIRCUIT BREAKER-ELECT HEAT
HE1	ELEMENT-ELECTRIC HEAT 1
HE2	ELEMENT-ELECTRIC HEAT 2
HE3	ELEMENT-ELECTRIC HEAT 3
K32-1,2	RELAY-ELECTRIC HEAT
K33-1,2	RELAY-ELECTRIC HEAT
P2	PLUG-ELECTRIC HEAT
S15	SWITCH-LIMIT PRIMARY ELECT HEAT
S20	SWITCH-LIMIT SECONDARY ELECT HEAT



REFER TO UNIT NAMEPLATE FOR MINIMUM CIRCUIT AMPACITY AND MAXIMUM OVERCURRENT PROTECTION SIZE.  
 \_\_\_\_\_ LINE VOLTAGE FIELD INSTALLED

NOTE: USE COPPER CONDUCTORS ONLY



HEATING UNITS-ELECTRIC

AEHK15CB-1

2 HEAT 2 COOL

Supersedes



Form No. 537803-01

1114

HEATING UNITS-ELECTRIC

AEHK15CB-1

2 HEAT 2 COOL

Supersedes



Form No. 537803-01

1114