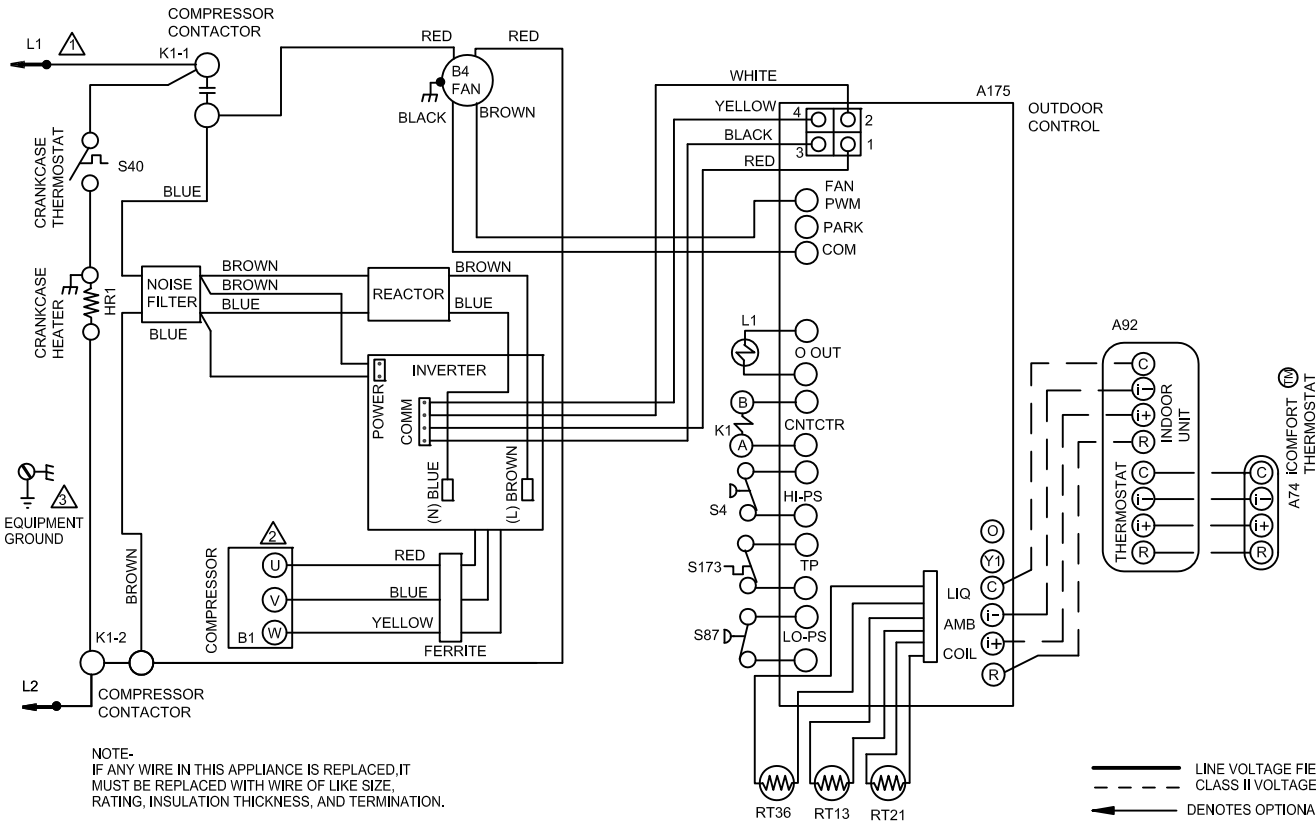


⚠ NOTE-  
FOR USE WITH COPPER CONDUCTORS  
ONLY. REFER TO UNIT RATING PLATE  
FOR MINIMUM CIRCUIT AMPACITY AND  
MAXIMUM OVERCURRENT PROTECTION SIZE

⚠ REFER TO COMPRESSOR IN UNIT FOR  
ACTUAL TERMINAL ARRANGEMENT

⚠ WARNING-  
ELECTRIC SHOCK HAZARD, CAN CAUSE INJURY  
OR DEATH. UNIT MUST BE GROUNDED IN ACCORDANCE  
WITH NATIONAL AND LOCAL CODES.



NOTE-  
IF ANY WIRE IN THIS APPLIANCE IS REPLACED IT  
MUST BE REPLACED WITH WIRE OF LIKE SIZE,  
RATING, INSULATION THICKNESS, AND TERMINATION.

— LINE VOLTAGE FIELD INSTALLED  
- - - CLASS II VOLTAGE FIELD WIRING  
← DENOTES OPTIONAL COMPONENTS

<b>LENNOX</b>	HEAT PUMP OUTDOOR UNITS
	XP20-048-060
	Supersedes
0315	Form No. <b>537813-01</b>