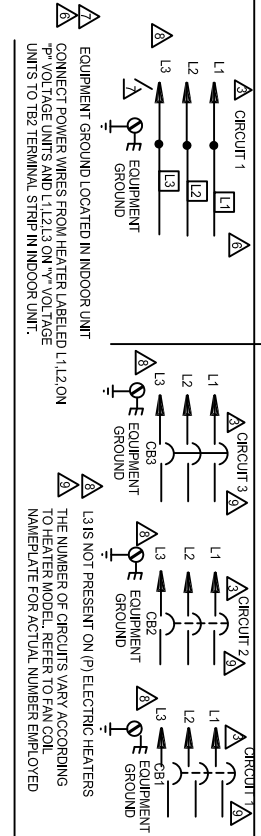


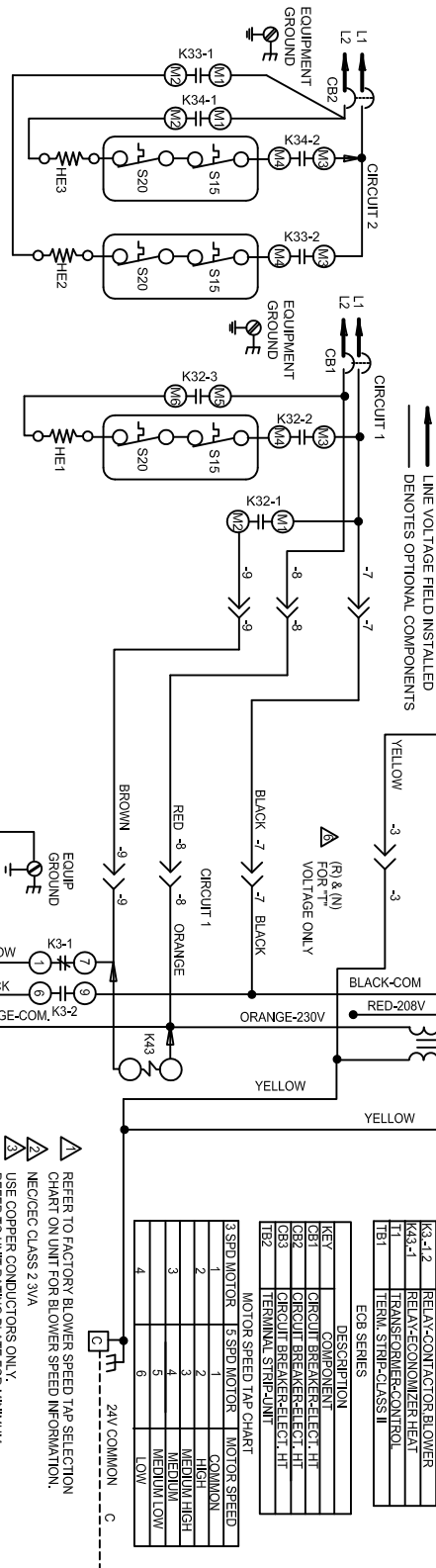
**FIELD WIRING FOR ECB SERIES UNITS WITHOUT CIRCUIT BREAKERS**

**FIELD WIRING FOR ECB SERIES UNITS WITH CIRCUIT BREAKERS**



KEY	DESCRIPTION
CB1	CIRCUIT BREAKER-ELECT HEAT
CB2	CIRCUIT BREAKER-ELECT HEAT
HE1	ELEMENT-ELECTRIC HEAT 1
HE2	ELEMENT-ELECTRIC HEAT 2
HE3	ELEMENT-ELECTRIC HEAT 3
K238	RELAY-ELECTRIC HEAT
K33-1,2	RELAY-ELECTRIC HEAT
K34-1,2	RELAY-ELECTRIC HEAT
P2	PLUG-ELECTRIC HEAT
S15	SWITCH-LIMIT PRIMARY ELECT HEAT
S20	SWITCH-LIMIT SECONDARY ELECT HEAT

NOTE: USE COPPER CONDUCTORS ONLY



KEY	DESCRIPTION
B3	MOTOR-BLOWER
C4	CAPACITOR-BLOWER MOTOR
CB8	CIRCUIT BREAKER-TRANS TT
F1	FUSE-TRANSFORMER
K43-1,2	RELAY-CONTACTOR-BLOWER
K43-1	RELAY-CONTACTOR-HEAT
T1	TRANSFORMER-CONTROL
TT1	TEMP. STRIP-CLASS II

KEY	DESCRIPTION
CB1	CIRCUIT BREAKER-ELECT. HT
CB2	CIRCUIT BREAKER-ELECT. HT
CB3	CIRCUIT BREAKER-ELECT. HT
CB2	TERMINAL STRIP-UNIT

MOTOR SPEED TAP CHART			
3 SPD MOTOR	3 SPD MOTOR	MOTOR SPEED COMMON	MOTOR SPEED
1	1	1	HIGH
2	2	2	MEDIUM HIGH
3	3	3	MEDIUM
4	4	4	MEDIUM LOW
5	5	5	LOW
6	6	6	LOW

- REFER TO FACTORY BLOWER SPEED TAP SELECTION CHART ON UNIT FOR BLOWER SPEED INFORMATION.
- NEC/CEC CLASS 2 3VA
- USE COPPER CONDUCTORS ONLY.
- REFER TO UNIT RATING PLATE FOR MINIMUM CIRCUIT AMPACITY AND MAXIMUM OVERCURRENT PROTECTION SIZE
- L13 CONNECTION USED ON (V) ELECTRIC HEATERS ONLY

- TRANSFORMER ON 048 AND 060 UNITS, MAY OR MAY NOT HAVE A CIRCUIT BREAKER
- LINE VOLTAGE FIELD WIRING
- CLASS II VOLTAGE FIELD WIRING

**LENNOX** COIL-S-BLOWER COIL UNITS

CBX32M-018 /024,030,036,042,048,060-230 WITH ECB29-12,5CB-6P & ECB29-15CB-6P COIL SECTION-

Supersedes

Form No. 537818-01

Cut size: 8-1/4" X 8-5/8"