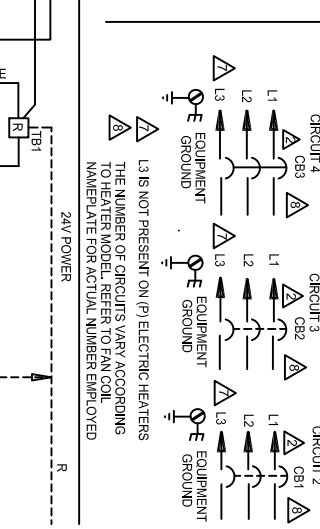
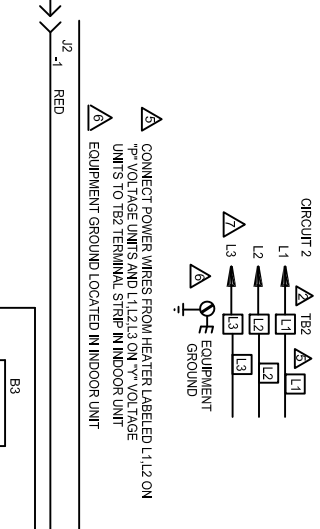
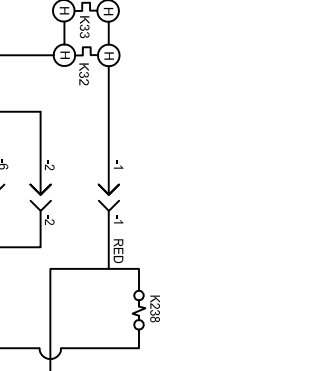
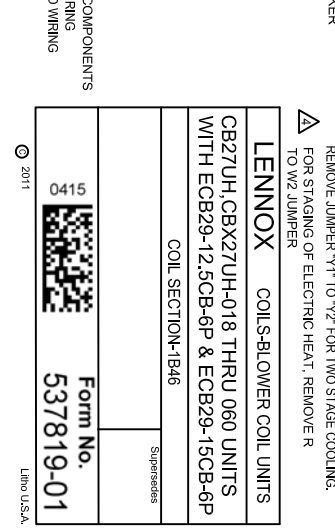
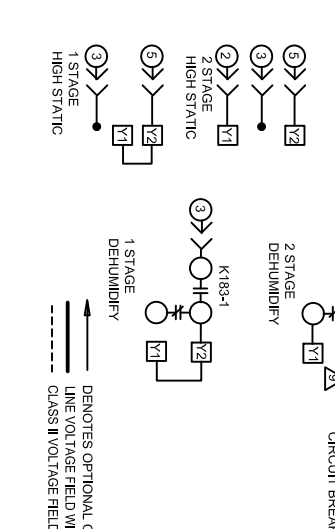
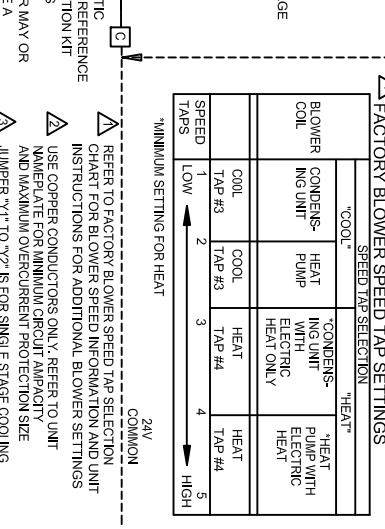
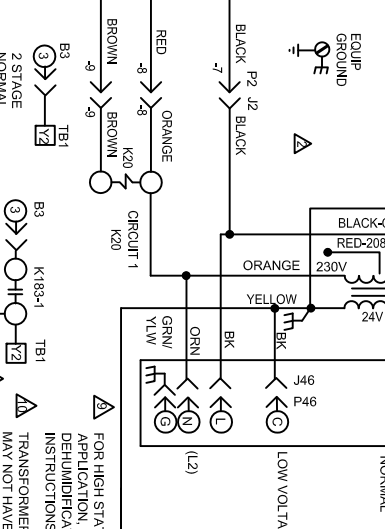
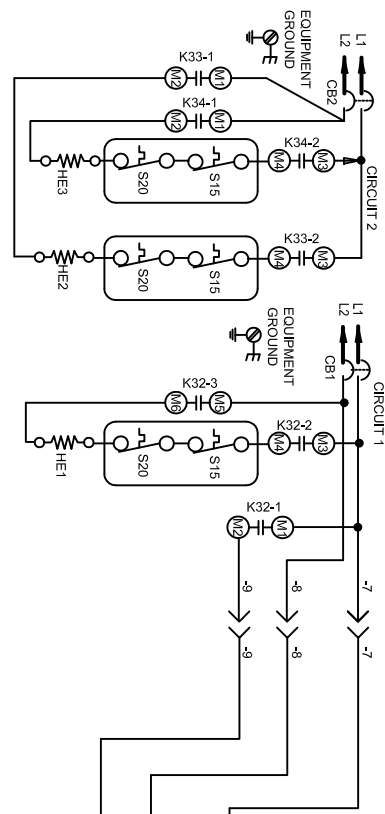


KEY	DESCRIPTION
CB1	CIRCUIT BREAKER-ELECT HEAT
CB2	CIRCUIT BREAKER-ELECT HEAT
HE1	ELEMENT-ELECTRIC HEAT 1
HE2	ELEMENT-ELECTRIC HEAT 2
HE3	ELEMENT-ELECTRIC HEAT 3
K238-1	RELAY-ELECTRIC HEAT
K33-1,2	RELAY-ELECTRIC HEAT
K34-1,2	RELAY-ELECTRIC HEAT
P2	PLUG-ELECTRIC HEAT
S20	SWITCH-LIMIT SECONDARY ELECTRIC HEAT



NOTE: USE COPPER CONDUCTORS ONLY



FACTORY BLOWER SPEED TAP SETTINGS	
COOL*	HEAT
BLOWER COIL	HEAT PUMP WITH ELECTRIC HEAT ONLY
CONDENSING UNIT	HEAT PUMP WITH ELECTRIC HEAT
COOL TAP #3	HEAT TAP #4
COOL TAP #3	HEAT TAP #4
LOW	HIGH
MINIMUM SETTINGS FOR HEAT	
24V COMMON	

FOR HIGH STATIC APPLICATIONS, REFER TO DEHUMIDIFICATION KIT INSTRUCTIONS. TRANSFORMER MAY OR MAY NOT HAVE A CIRCUIT BREAKER.

CONNECT POWER WIRES FROM HEATER LABELED L1,L2 ON "P" VOLTAGE UNITS AND L1,L2,L3 ON "V" VOLTAGE UNITS TO TB2 TERMINAL STRIP IN INDOOR UNIT. EQUIPMENT GROUND LOCATED IN INDOOR UNIT.

L3 IS NOT PRESENT ON (P) ELECTRIC HEATERS. THE NUMBER OF CIRCUITS VARY ACCORDING TO HEATER MODEL. REFER TO FAN COIL NAMEPLATE FOR ACTUAL NUMBER EMPLOYED.

REFER TO FACTORY BLOWER SPEED TAP SELECTION CHART FOR BLOWER SPEED INFORMATION AND UNIT INSTRUCTIONS FOR ADDITIONAL BLOWER SETTINGS.

USE COPPER CONDUCTORS ONLY. REFER TO UNIT NAMEPLATE FOR MINIMUM CIRCUIT AMPACITY AND MAXIMUM OVERCURRENT PROTECTION SIZE.

JUMPER "Y1" TO "Y2" IS FOR SINGLE STAGE COOLING. REMOVE JUMPER "Y1" TO "Y2" FOR TWO STAGE COOLING. TO W2 JUMPER.

FOR STAGING OF ELECTRIC HEAT, REMOVE R TO W2 JUMPER.

LENNOX COILS-BLOWER COIL UNITS
 CB27UH, CBX27UH-018 THRU 060 UNITS
 WITH ECB29-12,5CB-6P & ECB29-15CB-6P
 COIL SECTION-1B46
 Supersedes

Form No. 537819-01
 © 2011 Lennox U.S.A.

10-1/4" X 8-1/4" cut size