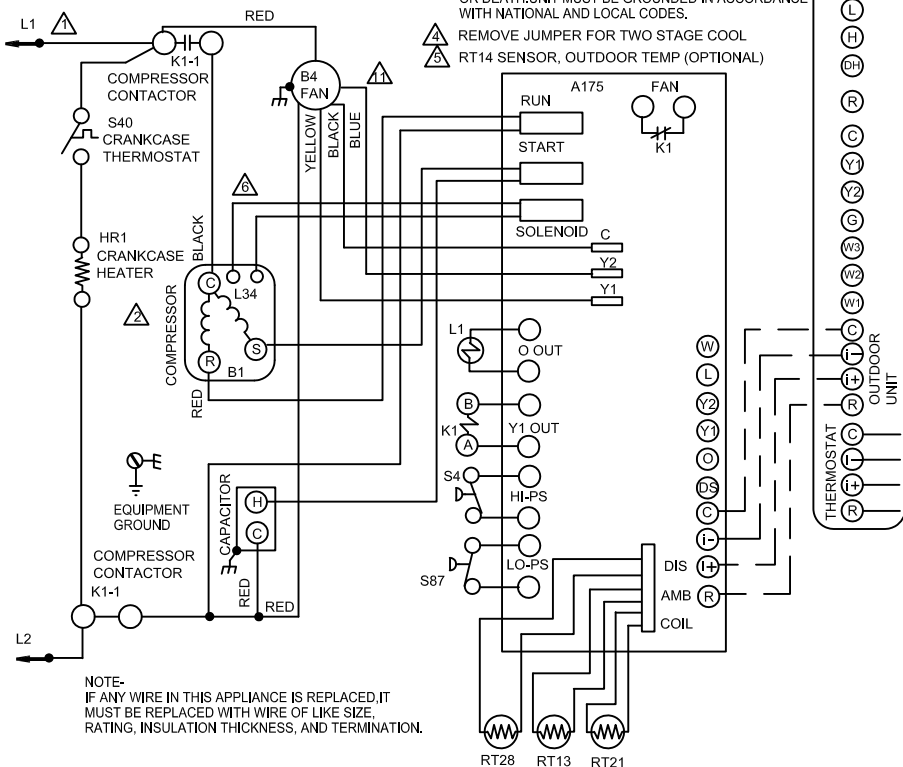
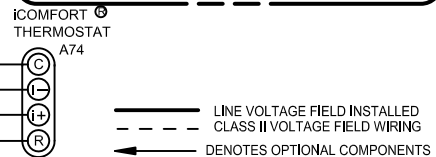
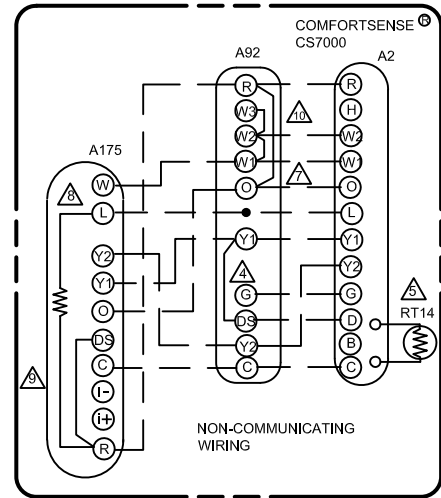


- NOTE- FOR USE WITH COPPER CONDUCTORS ONLY. REFER TO UNIT RATING PLATE FOR MINIMUM CIRCUIT AMPACITY AND MAXIMUM OVERCURRENT PROTECTION SIZE
- REFER TO COMPRESSOR IN UNIT FOR ACTUAL TERMINAL ARRANGEMENT
- WARNING- ELECTRIC SHOCK HAZARD. CAN CAUSE INJURY OR DEATH. UNIT MUST BE GROUNDED IN ACCORDANCE WITH NATIONAL AND LOCAL CODES.
- REMOVE JUMPER FOR TWO STAGE COOL RT14 SENSOR, OUTDOOR TEMP (OPTIONAL)

- L34 SOLENOID IS LOCATED IN COMPRESSOR. COIL IS 24VDC. DO NOT CONNECT 24VAC TO COIL TERMINALS
- CUT ON-BOARD LINK R TO O FOR HEAT PUMP APPLICATIONS
- RESISTOR KIT (47W97) IS REQUIRED WHEN USING COMFORTSENSE 7000 (Y0349) WITH A175 OUTDOOR CONTROL. RESISTOR KIT NOT REQUIRED WHEN USING COMFORTSENSE 7000 (Y2081)
- IN NON-COMMUNICATING WIRING, CUT ON-BOARD LINK ON A92 CONTROL FROM DS TO R FOR BASIC, PRECISION AND HUMIDITROL APPLICATION
- METAL JUMPERS ACROSS W1, W2, AND W3 COME FROM FACTORY. REMOVE JUMPER FROM W1 TO W2 FOR TWO STAGE ELECTRIC HEAT, AIR HANDLERS ONLY
- 024 UNIT COME FACTORY WIRED FOR LOW OUTDOOR FAN SPEED ONLY. HIGH SPEED Y2, (BLUE WIRE) IS NOT CONNECTED. IN HUMIDITROL (EDA) APPLICATION, THE BLUE WIRE MUST BE CONNECTED TO Y2 ON THE A175 CONTROL



NOTE- IF ANY WIRE IN THIS APPLIANCE IS REPLACED, IT MUST BE REPLACED WITH WIRE OF LIKE SIZE, RATING, INSULATION THICKNESS, AND TERMINATION.



— LINE VOLTAGE FIELD INSTALLED
 - - - CLASS II VOLTAGE FIELD WIRING
 ← DENOTES OPTIONAL COMPONENTS

LENNOX		HEAT PUMP OUTDOOR UNITS	
XP21 WITH CONTROL 101796-XX			
Supersedes			
0515		Form No. 537826-01	