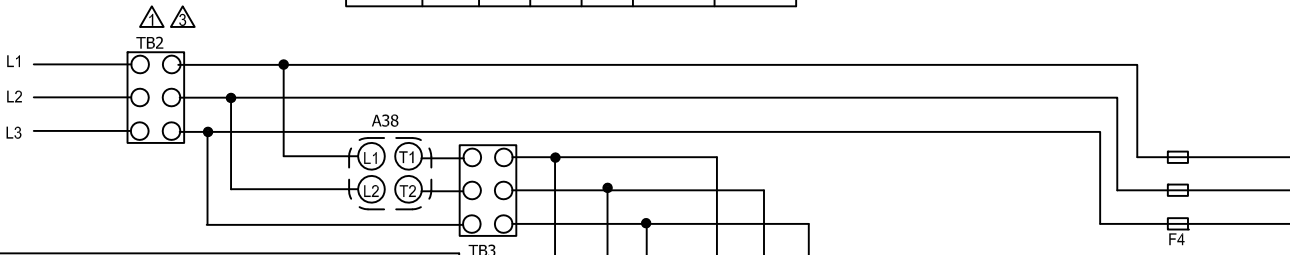
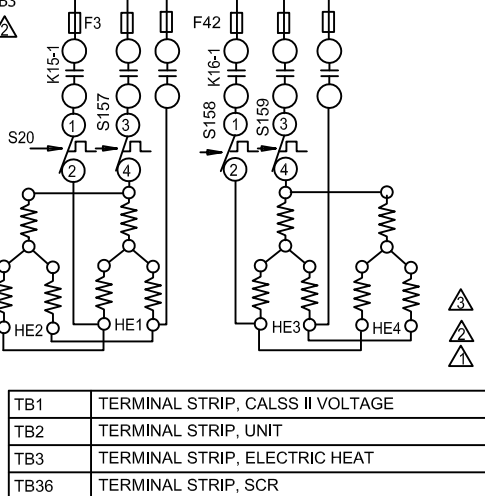


KW	SCR AMPS				480V	600V
	HE1	HE2	HE3	HE4		
7.5	7.5				15	15
15	15				30	15
22.5	15	7.5			30	30
30	15	15			40	30
45	15		15	15	75	50
60	15	15	15	15	75	75



DESCRIPTION	
KEY	DESCRIPTION
A38	CONTROL, SCR ELECTRIC HEAT
A104	THERMOSTAT, SUPPLY AIR
DL2	DELAY, ELECTRIC HEAT
F3	FUSE, ELECTRIC HEAT
F4	FUSE, UNIT
F42	FUSE, ELECTRIC HEAT 2
HE1	ELEMENT, ELECTRIC HEAT 1
HE2	ELEMENT, ELECTRIC HEAT 2
HE3	ELEMENT, ELECTRIC HEAT 3
HE4	ELEMENT, ELECTRIC HEAT 4
J7	JACK, ELECTRIC HEAT SUB-BASE KIT
K9, -1, 2	RELAY, HEAT
K15,-1	CONTACTOR, ELECTRIC HEAT 1
K16,-1	CONTACTOR, ELECTRIC HEAT 2
K161,-1	RELAY, SCR INTERRUPT
K162,-1	RELAY, SCR HIGH OUTPUT
P2	PLUG, UNIT HEAT
P7	PLUG, ELECTRIC HEAT SUB-BASE KIT
RT20	SENSOR, DISCHARGE SCR
S15	SWITCH, LIMIT PRIMARY ELECTRIC HEAT
S19	THERMOSTAT, ELECTRIC HEAT LIMIT
S20	SWITCH, LIMIT SECONDARY ELECTRIC HEAT 1
S26	THERMOSTAT, AMBIENT
S157	SWITCH, LIMIT SECONDARY ELECTRIC HEAT 2
S158	SWITCH, LIMIT SECONDARY ELECTRIC HEAT 3
S159	SWITCH, LIMIT SECONDARY ELECTRIC HEAT 4



NOT USED ON 7.5, 15, AND 30KW UNITS
 TB3 IS USED ON SOME UNITS
 TB2, S48 OR CB10 MAY BE USED

TB1	TERMINAL STRIP, CALSS II VOLTAGE
TB2	TERMINAL STRIP, UNIT
TB3	TERMINAL STRIP, ELECTRIC HEAT
TB36	TERMINAL STRIP, SCR

08/15		WIRING DIAGRAM	08/15
		537838-01	
HEATING - SCR			
SCR ELECTRIC HEAT CONTROL - STAND ALONE EHA - 7.5, 15, 22.5, 30, 45, 60 - G, J			
SECTION A			REV. 0
Supersedes	New Form No. 537838-01		