

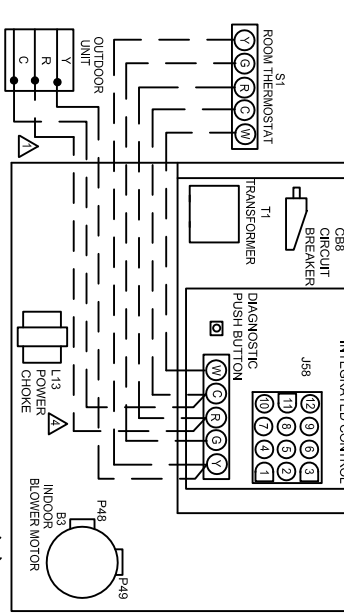
BLOWER SPEED CHART		FACTORY CONNECTED SPEED TAPS			
UNIT	COOL	HEAT	FAN	PARK	
030XE24B	BLACK	BLUE	RED	BROWN/YELLOW	
045XE24B	BLACK	YELLOW	RED	BROWN/BLUE	
045XE36B	BLACK	BLUE	RED	BROWN/YELLOW	
070XE36B	BLACK	BROWN	RED	BLUE/YELLOW	
110XE60C	BLACK	BROWN	RED	BLUE/YELLOW	
135XE60D	BROWN	BLUE	RED	BLACK/YELLOW	

SPEED TAPS		BLOWER SPEED SELECTION			
HI	←	→	LO		
BLACK	BROWN	BLUE	YELLOW	RED	

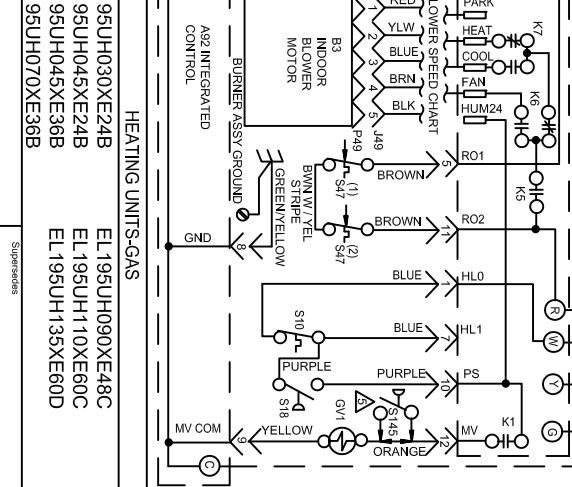
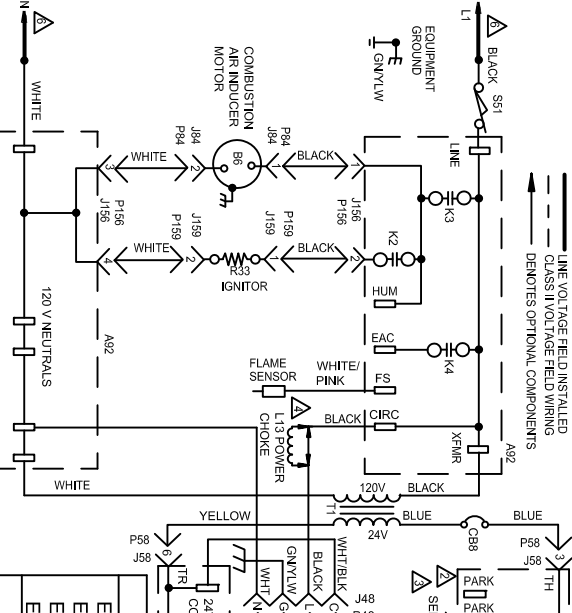
JACK/PULL CHART	
J1P48	JACK/PULL-INDOOR BLOWER-PW
J1P49	JACK/PULL-INDOOR BLOWER-SPD TAP
J1P53	JACK/PULL-BURNER CONTROL
J1P54	JACK/PULL-GAS VALVE AIR INDUCER
J1P55	JACK/PULL-SECURITY LIMIT (S)
J1P56	JACK/PULL-INDOOR BURNER
J1P59	JACK/PULL-SECURITY LIMIT

NOTE:
IF ANY WIRE IN THIS APPLIANCE IS REPLACED, IT MUST BE REPLACED WITH WIRE OF LIKE SIZE, RATING, INSULATION THICKNESS AND TERMINATION.

- ⚠ R: REQUIRED ON SOME OUTDOOR UNITS
- ⚠ UNUSED TERMINALS ARE UNPOWERED TERMINALS. ALL UNUSED MOTOR LEADS MUST BE WIRED TO A PARK TERMINAL.
- ⚠ DO NOT USE RED (LOW SPEED) MOTOR LEAD FOR HEATING SPEED ON 045XE36B, 070XE36B, 110XE60C AND 135XE60D UNITS. RESULTING TEMPERATURE RISE WILL BE OUTSIDE OF RISE RANGE.
- ⚠ L13 POWER CHOKE USED ON ½ AND 1 HP ONLY.
- ⚠ S145 IS USED WITH HONEYWELL GAS VALVE WHEN APPLIED IN LP GAS UNITS. USE COPPER CONDUCTORS ONLY.



TERMOSTAT HEAT ANTICIPATION SETTINGS
 6.5 AMP HONEYWELL VALVE
 20 AMP WHITE RODGERS VALVE



SEE BLOWER SPEED CHART

HEATING UNITS-GAS

EL195UH030XE24B	EL195UH090XE48C
EL195UH045XE24B	EL195UH110XE60C
EL195UH045XE36B	EL195UH135XE60D
EL195UH070XE36B	

Supersedes

WARNING- SHOCK HAZARD CAN CAUSE INJURY OR DEATH. UNIT MUST BE GROUNDED IN ACCORDANCE WITH NATIONAL AND LOCAL CODES.

9116

Form No. 537840-01

Libco U.S.A.