

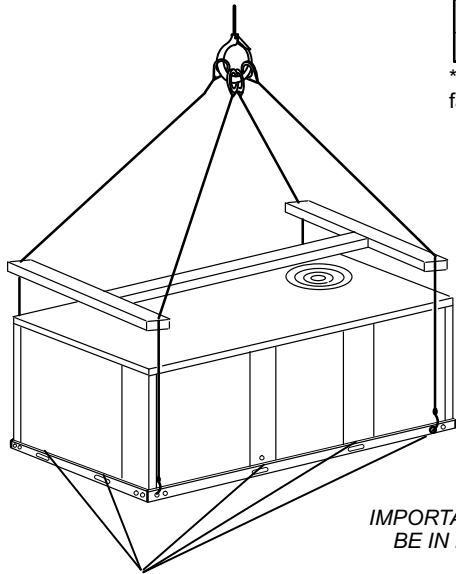
KG/KC/KH 024, 030, 036, 048, 060, 072, 090 RIGGING INSTRUCTIONS

- 1- Detach wooden base protection before rigging.
Note - Remove all six (seven on 090 units) base protection brackets before setting unit.
- 2- Connect rigging to the unit base using both holes in each corner.
- 3- All panels must be in place for rigging.
- 4- Place field-provided H-style pick in place just above top edge of unit. Frame must be of adequate strength and length. (H-style pick prevents damage to top of unit.)

**LIFTING POINT SHOULD
BE DIRECTLY ABOVE
CENTER OF GRAVITY**

Unit	*Weight	
	Lbs.	Kg.
KG	870	395
KC & KH	820	372

*Maximum weight with all available factory-installed accessories.



**CAUTION - Do
not walk on unit.**

**IMPORTANT - ALL PANELS MUST
BE IN PLACE FOR RIGGING.**

**Before lifting unit, remove all brackets
above forklift pockets which secure
wooden base protection to unit.**

09/09



580000-01



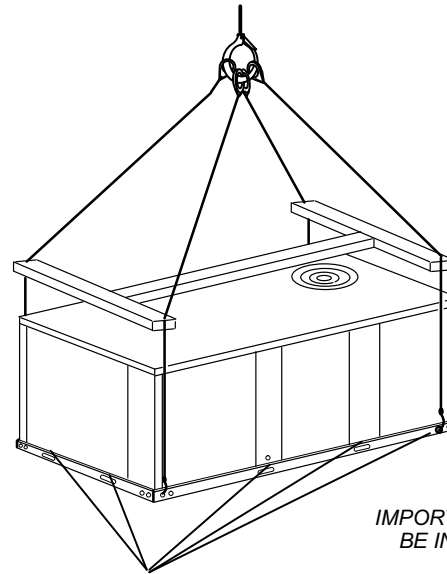
KG/KC/KH 024, 030, 036, 048, 060, 072, 090 RIGGING INSTRUCTIONS

- 1- Detach wooden base protection before rigging.
Note - Remove all six (seven on 090 units) base protection brackets before setting unit.
- 2- Connect rigging to the unit base using both holes in each corner.
- 3- All panels must be in place for rigging.
- 4- Place field-provided H-style pick in place just above top edge of unit. Frame must be of adequate strength and length. (H-style pick prevents damage to top of unit.)

**LIFTING POINT SHOULD
BE DIRECTLY ABOVE
CENTER OF GRAVITY**

Unit	*Weight	
	Lbs.	Kg.
KG	870	395
KC & KH	820	372

*Maximum weight with all available factory-installed accessories.



**CAUTION - Do
not walk on unit.**

**IMPORTANT - ALL PANELS MUST
BE IN PLACE FOR RIGGING.**

**Before lifting unit, remove all brackets
above forklift pockets which secure
wooden base protection to unit.**

09/09



580000-01

