

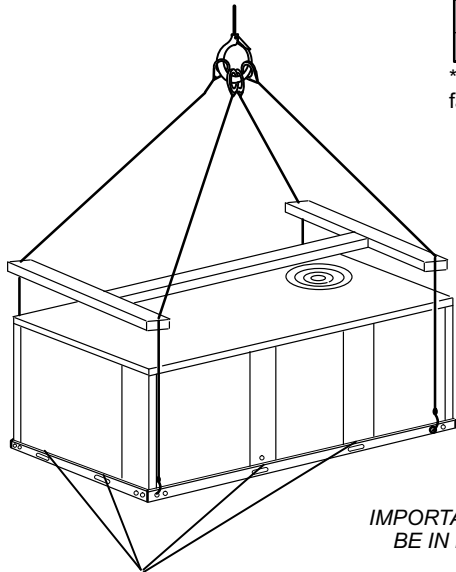
LG/LC 036, 048, 060, 072, 074 RIGGING INSTRUCTIONS

- 1- Detach wooden base protection before rigging.
Note - Remove all six base protection brackets before setting unit.
- 2- Connect rigging to the unit base using both holes in each corner.
- 3- All panels must be in place for rigging.
- 4- Place field-provided H-style pick in place just above top edge of unit. Frame must be of adequate strength and length.
(H-style pick prevents damage to top of unit.)

**LIFTING POINT SHOULD
BE DIRECTLY ABOVE
CENTER OF GRAVITY**

| Unit | *Weight | |
|------|---------|-----|
| | Lbs. | Kg. |
| LG | 960 | 435 |
| LC | 933 | 423 |

*Maximum weight with all available factory-installed accessories.



**CAUTION - Do
not walk on unit.**

**IMPORTANT - ALL PANELS MUST
BE IN PLACE FOR RIGGING.**

**Remove all six brackets
above fork lift pockets
before setting unit.**



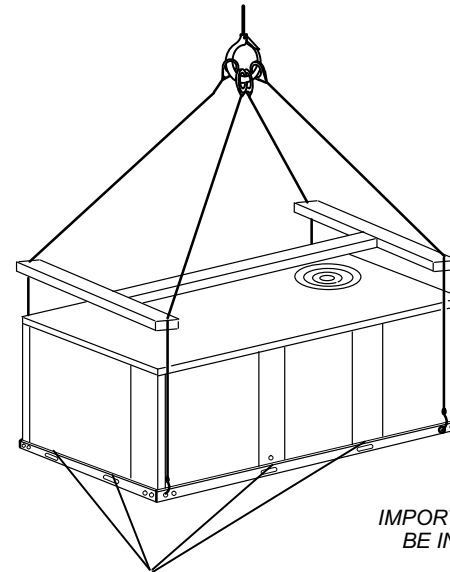
LG/LC 036, 048, 060, 072, 074 RIGGING INSTRUCTIONS

- 1- Detach wooden base protection before rigging.
Note - Remove all six base protection brackets before setting unit.
- 2- Connect rigging to the unit base using both holes in each corner.
- 3- All panels must be in place for rigging.
- 4- Place field-provided H-style pick in place just above top edge of unit. Frame must be of adequate strength and length.
(H-style pick prevents damage to top of unit.)

**LIFTING POINT SHOULD
BE DIRECTLY ABOVE
CENTER OF GRAVITY**

| Unit | *Weight | |
|------|---------|-----|
| | Lbs. | Kg. |
| LG | 960 | 435 |
| LC | 933 | 423 |

*Maximum weight with all available factory-installed accessories.



**CAUTION - Do
not walk on unit.**

**IMPORTANT - ALL PANELS MUST
BE IN PLACE FOR RIGGING.**

**Remove all six brackets
above fork lift pockets
before setting unit.**

