

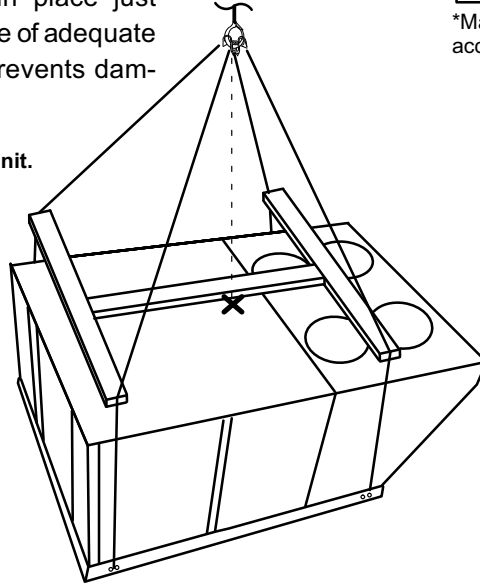
LGH/LCH156-300S RIGGING INSTRUCTIONS

- 1- Detach wooden base protection before rigging.
- 2- Connect rigging to the unit base using both holes in each corner.
- 3- All panels must be in place for rigging.
- 4- Place field-provided H-style pick in place just above top edge of unit. Frame must be of adequate strength and length. (H-style pick prevents damage to top of unit.)

CAUTION - Do not walk on unit.

IMPORTANT - ALL PANELS MUST BE IN PLACE FOR RIGGING.

LIFTING POINT SHOULD BE DIRECTLY ABOVE CENTER OF GRAVITY



Unit	*Weight	
	Lbs.	Kg.
LG 156, LC 156, LC 180H	2350	1066
LG 180H, LC 180U, LG 210, LC 210, LC 240, LC 300	2635	1195
LG 180U, LG 240, LG 300	2780	1261

*Maximum weight with all available factory-installed accessories.

11/14



580233-01



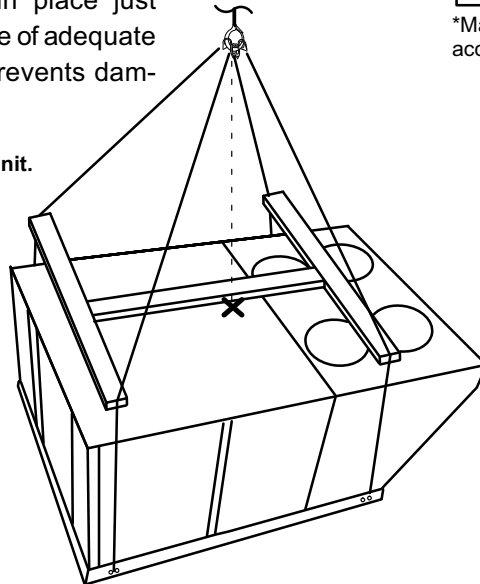
LGH/LCH156-300S RIGGING INSTRUCTIONS

- 1- Detach wooden base protection before rigging.
- 2- Connect rigging to the unit base using both holes in each corner.
- 3- All panels must be in place for rigging.
- 4- Place field-provided H-style pick in place just above top edge of unit. Frame must be of adequate strength and length. (H-style pick prevents damage to top of unit.)

CAUTION - Do not walk on unit.

IMPORTANT - ALL PANELS MUST BE IN PLACE FOR RIGGING.

LIFTING POINT SHOULD BE DIRECTLY ABOVE CENTER OF GRAVITY



Unit	*Weight	
	Lbs.	Kg.
LG 156, LC 156, LC 180H	2350	1066
LG 180H, LC 180U, LG 210, LC 210, LC 240, LC 300	2635	1195
LG 180U, LG 240, LG 300	2780	1261

*Maximum weight with all available factory-installed accessories.

11/14



580233-01

