

ML180DF WIRING DIAGRAM 580459-01

UNIT	FACTORY CONNECTED SPEED TAPS				MOTOR SPEEDS AVAIL.	SECONDARY LIMITS USED
	COOL	HEAT	PARK	PARK		
045P24A	BLACK	BROWN	YELLOW	RED	4	1
045P36A	BROWN	YELLOW	BLACK	RED	4	1
070P36A	BROWN	YELLOW	BLACK	RED	4	1
090P36B	BLACK	BROWN	YELLOW	RED	4	1
090P48B	BLACK	BROWN	YELLOW	RED	4	1
110P60C	BROWN	YELLOW	BLACK	RED	4	1
070XP36A	BROWN	YELLOW	BLACK	RED	4	1
090XP48B	BLACK	BROWN	YELLOW	RED	4	1
110XP60C	BROWN	YELLOW	BLACK	RED	4	1
BLOWER SPEED SELECTION						
HI ← → LO						
SPEED TAPS	BLACK	BROWN	YELLOW	RED	4	

THERMOSTAT HEAT ANTICIPATION SETTINGS

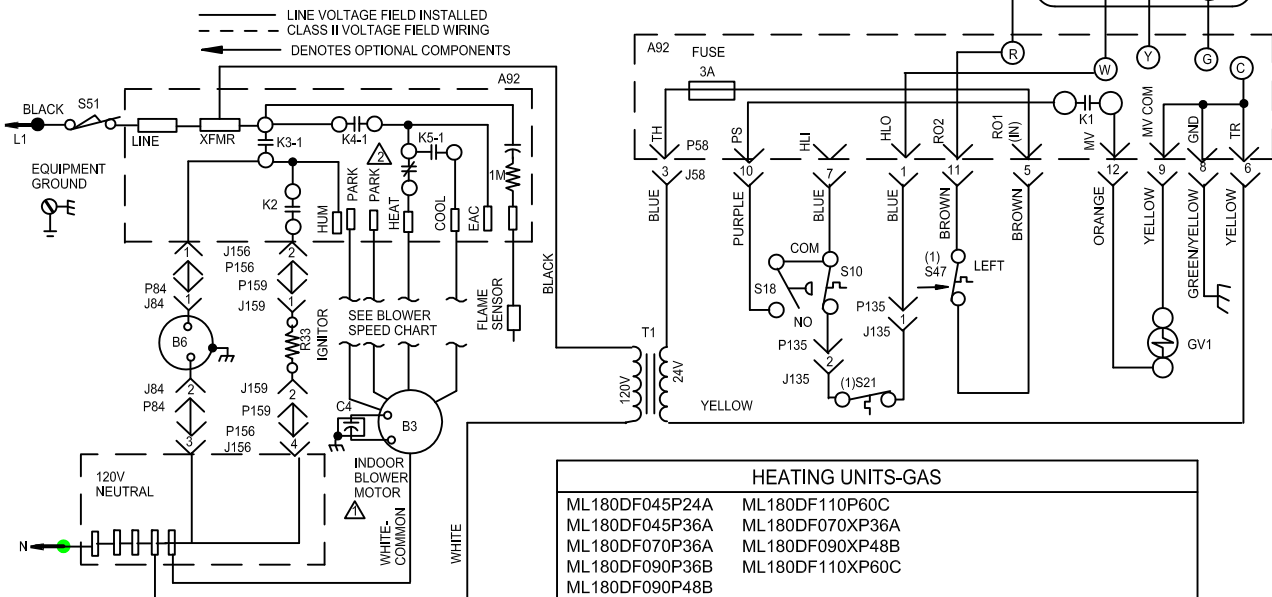
.65 AMP	HONEYWELL VALVE
.50 AMP	WHITE-RODGERS VALVE

JACKPLUG CHART

J.P58	JACK/PLUG-BURNER CONTROL
J.P84	JACK/PLUG-COMB AIR INDUCER
J.P135	JACK/PLUG-SECONDARY LIMIT
J.P156	JACK/PLUG-INDUCER/IGNITER
J.P159	JACK/PLUG-IGNITION

NOTE- IF ANY WIRE IN THIS APPLIANCE IS REPLACED IT MUST BE REPLACED WITH WIRE OF LIKE SIZE, RATING, INSULATION THICKNESS AND TERMINATION.

- ⚠ IMPORTANT- TO PREVENT MOTOR BURNOUT NEVER CONNECT MORE THAN ONE MOTOR LEAD TO ANY ONE CONNECTION.
- ⚠ PARK TERMINALS ARE UNPOWERED TERMINALS. ALL UNUSED MOTOR LEADS MUST BE WIRED TO A PARK TERMINAL.
- ⚠ FIELD SUPPLIED ACC. WIRE.
- ⚠ USE COPPER CONDUCTORS ONLY.



HEATING UNITS-GAS

ML180DF045P24A	ML180DF110P60C
ML180DF045P36A	ML180DF070XP36A
ML180DF070P36A	ML180DF090XP48B
ML180DF090P36B	ML180DF110XP60C
ML180DF090P48B	

0512 Supersedes

WARNING- ELECTRIC SHOCK HAZARD. CAN CAUSE INJURY OR DEATH. UNIT MUST BE GROUNDED IN ACCORDANCE WITH NATIONAL AND LOCAL CODES.

0512



Form No. 580459-01