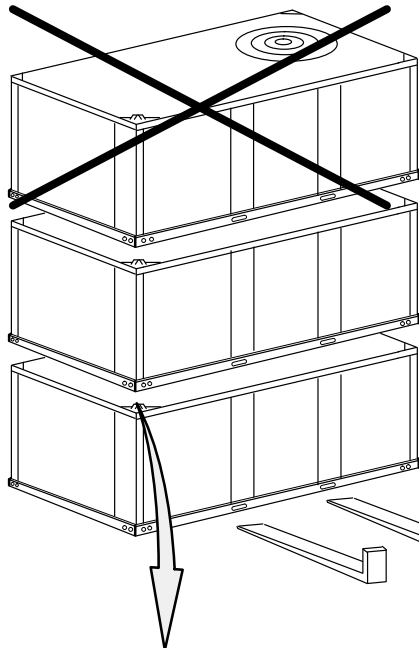
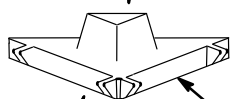
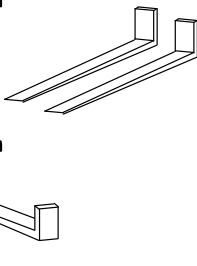


FORK TRUCK SHIPPING / HANDLING INSTRUCTIONS

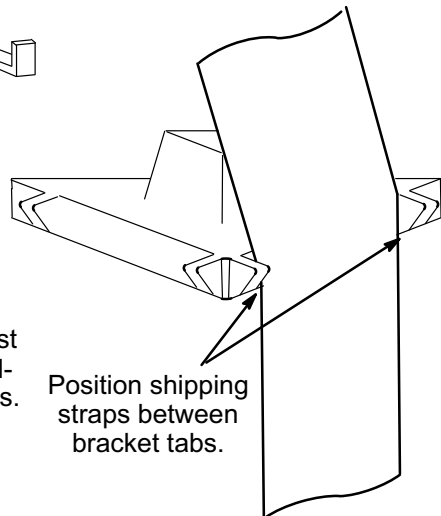
024-090 SHOWN



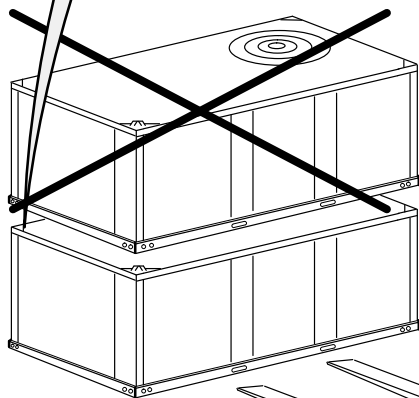
End Carry:
Only forks **OVER 70"**, carry a maximum of 2 units.



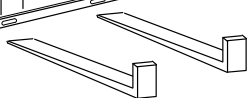
024-152 Units - All four (4) brackets must be in place to stack multiple units or handle units.



Position shipping straps between bracket tabs.

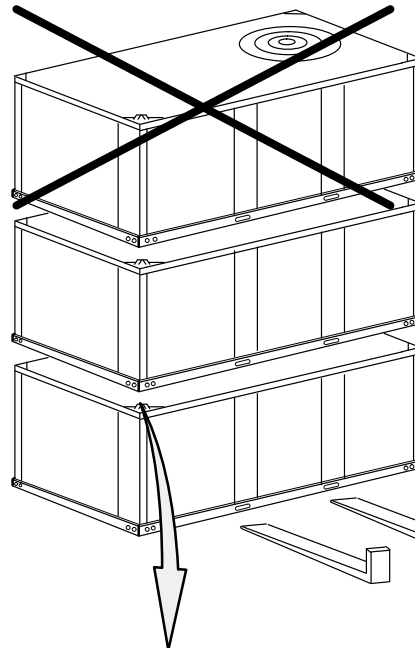


Side Carry:
024-072 - Forks must be over 43" long, carry a maximum of 1 unit.
090-152 - Forks must be over 62" long, carry a maximum of 1 unit.

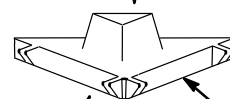
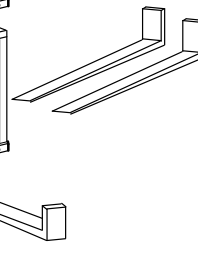


FORK TRUCK SHIPPING / HANDLING INSTRUCTIONS

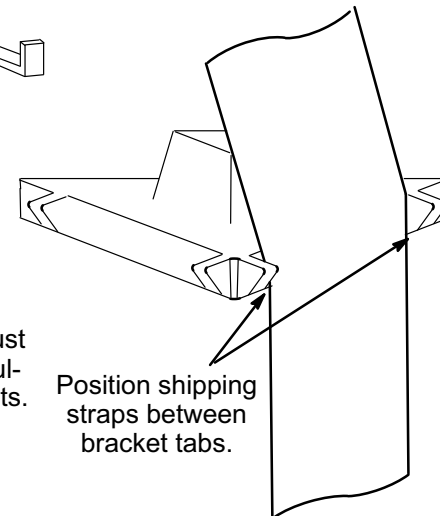
024-090 SHOWN



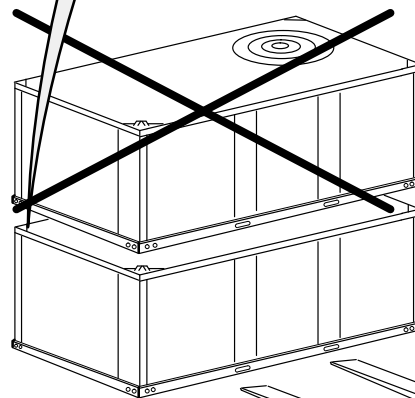
End Carry:
Only forks **OVER 70"**, carry a maximum of 2 units.



024-152 Units - All four (4) brackets must be in place to stack multiple units or handle units.



Position shipping straps between bracket tabs.



Side Carry:
024-072 - Forks must be over 43" long, carry a maximum of 1 unit.
090-152 - Forks must be over 62" long, carry a maximum of 1 unit.

