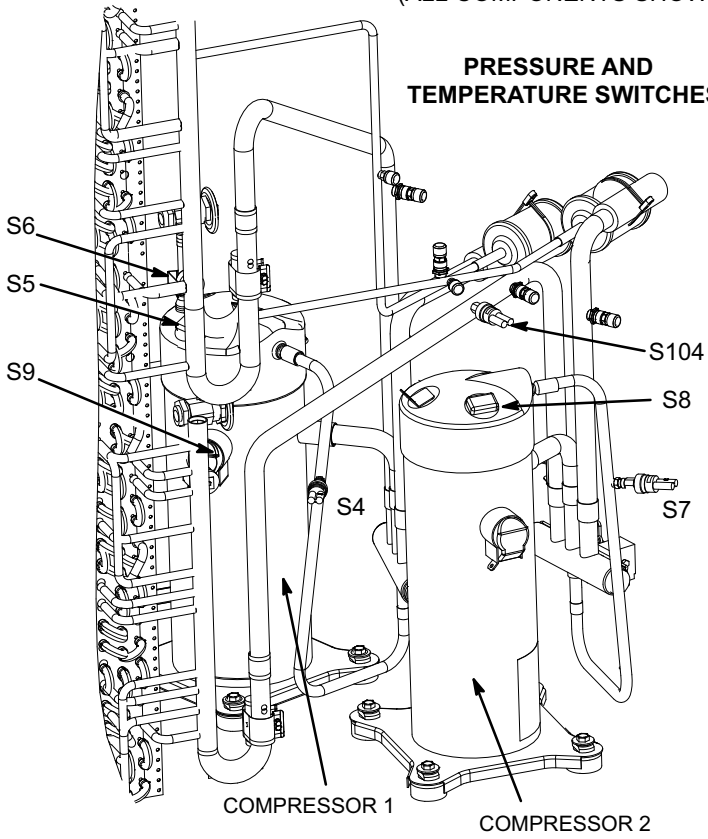


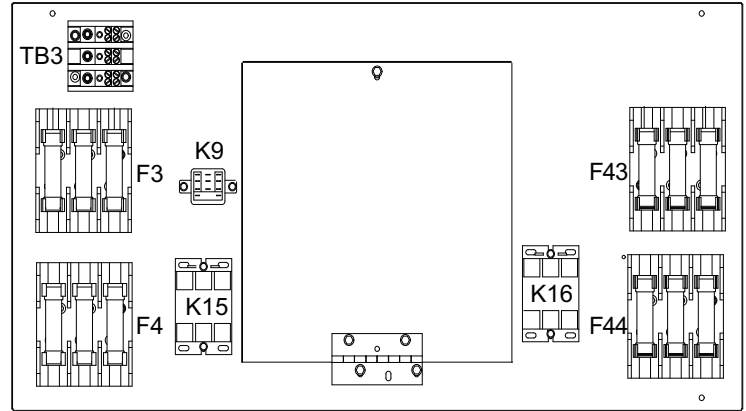
ZH 092-120 Parts Arrangement

(ALL COMPONENTS SHOWN; NOT ALL COMPONENTS ARE ON EACH UNIT)

PRESSURE AND TEMPERATURE SWITCHES

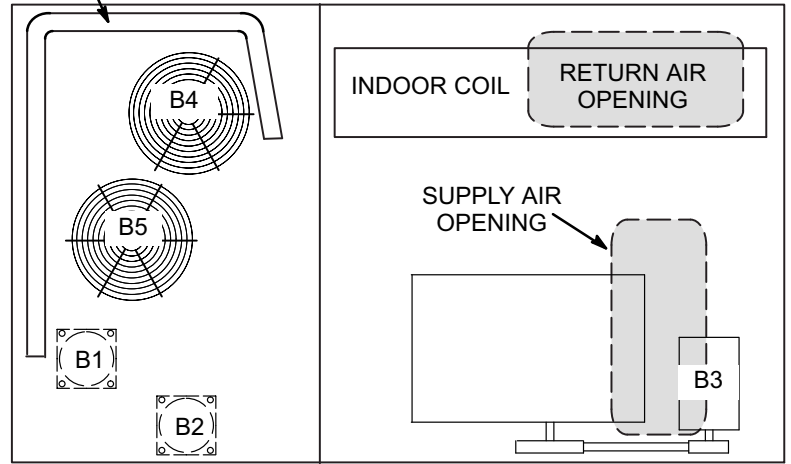


ELECTRIC HEAT CONTROL AREA

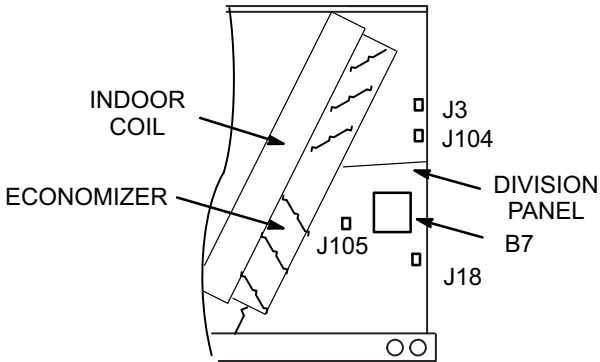


OUTDOOR COIL

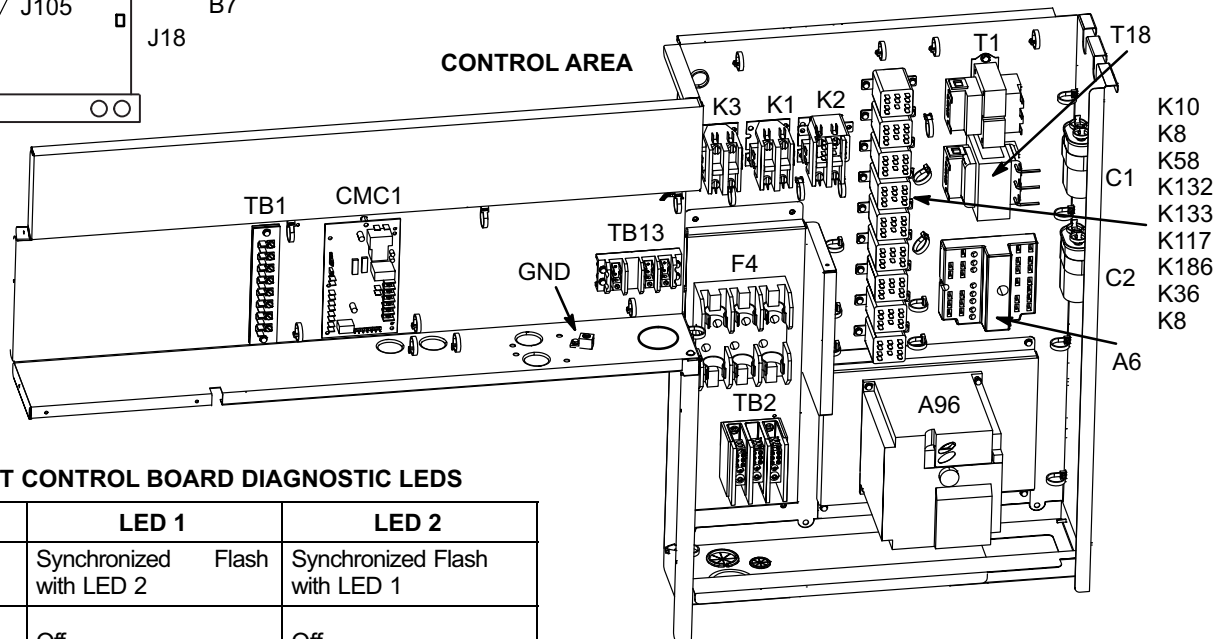
TOP VIEW



RIGHT SIDE - ECONOMIZER



CONTROL AREA



DEFROST CONTROL BOARD DIAGNOSTIC LEDS

Indicates	LED 1	LED 2
Normal operation / power to board	Synchronized with LED 2	Flash Synchronized with LED 1
Board failure / no power	Off	Off
Board failure	On	On
Anti-short cycle lockout	Alternating Slow FLASH	

