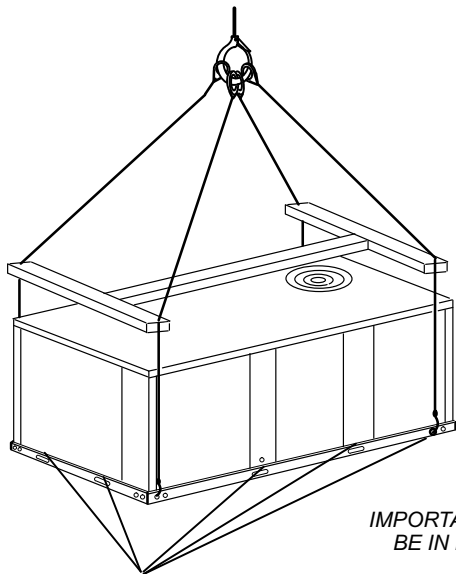


KG/KC/KH 024, 030, 036, 048, 060, 072, 090 RIGGING, SHIPPING AND HANDLING INSTRUCTIONS

- 1- Detach wooden base protection before rigging.
Note - Remove all six (seven on 090 units) base protection brackets before setting unit.
- 2- Connect rigging to the unit base using both holes in each corner.
- 3- All panels must be in place for rigging.
- 4- Place field-provided H-style pick in place just above top edge of unit. Frame must be of adequate strength and length.
(H-style pick prevents damage to top of unit.)

LIFTING POINT SHOULD BE DIRECTLY ABOVE CENTER OF GRAVITY



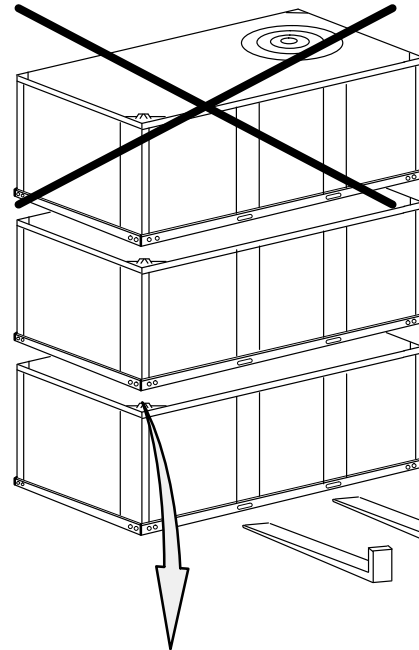
Unit	*Weight	
	Lbs.	Kg.
KG	883	401
KC & KH	862	391

*Maximum weight with all available factory-installed accessories.

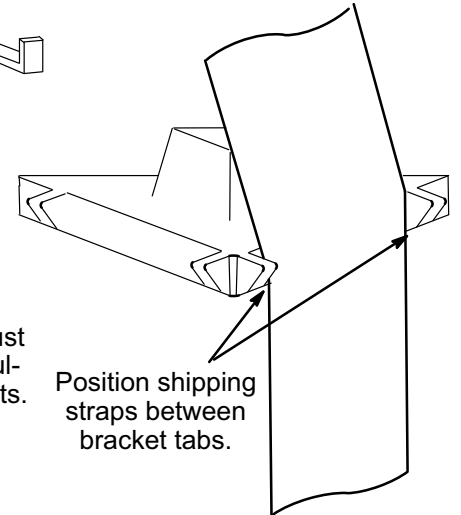
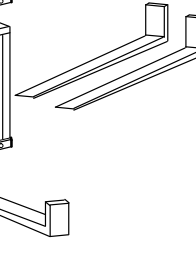
CAUTION - Do not walk on unit.

IMPORTANT - ALL PANELS MUST BE IN PLACE FOR RIGGING.

Before lifting unit, remove all brackets above forklift pockets which secure wooden base protection to unit.

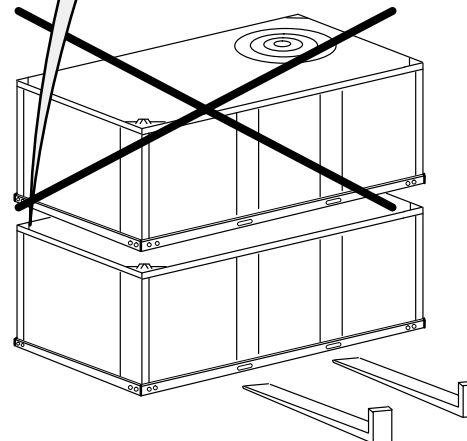


End Carry:
Only forks OVER 70", carry a maximum of 2 units.



Position shipping straps between bracket tabs.

024-090 Units - All four (4) brackets must be in place to stack multiple units or handle units.



Side Carry:
024-072 - Forks must be over 43" long, carry a maximum of 1 unit.
090 - Forks must be over 62" long, carry a maximum of 1 unit.