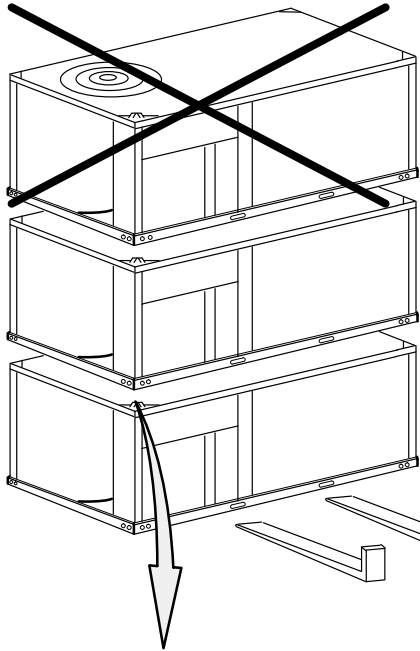
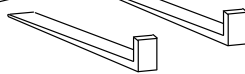
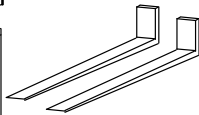


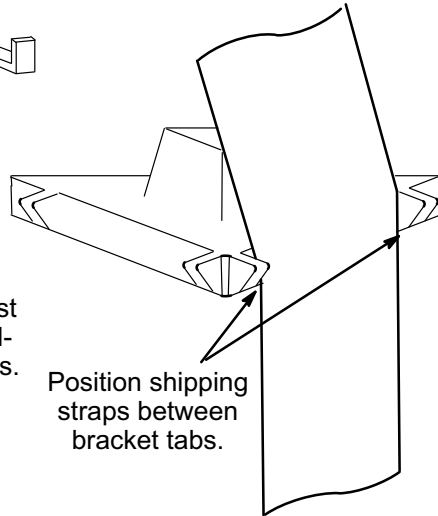
ZG/ZC/ZH 036, 048, 060 FORK TRUCK HANDLING INSTRUCTIONS



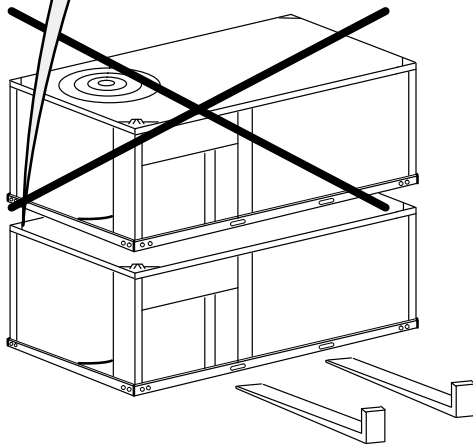
Only forks OVER 57", carry a maximum of 2 units.



All four (4) brackets must be in place to stack multiple units or handle units.

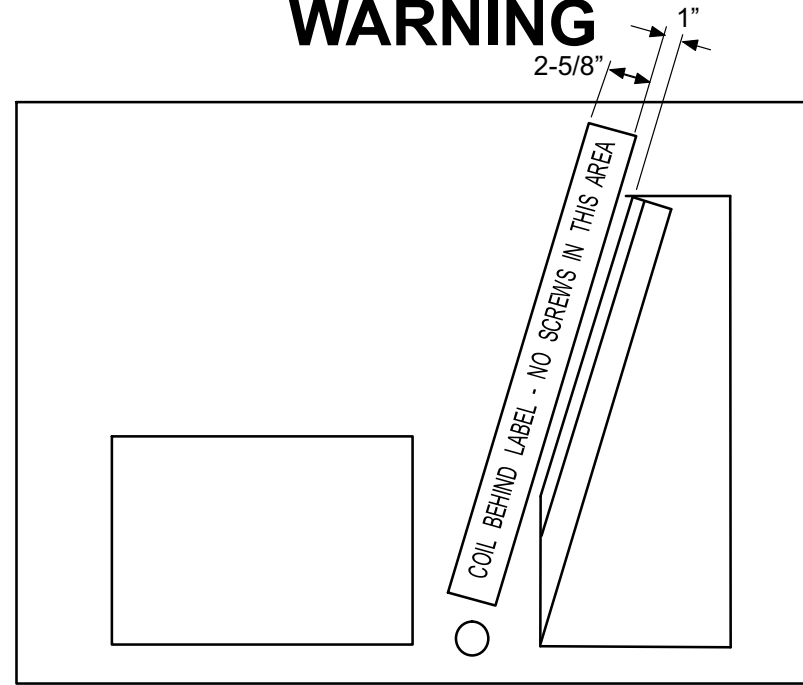


Position shipping straps between bracket tabs.



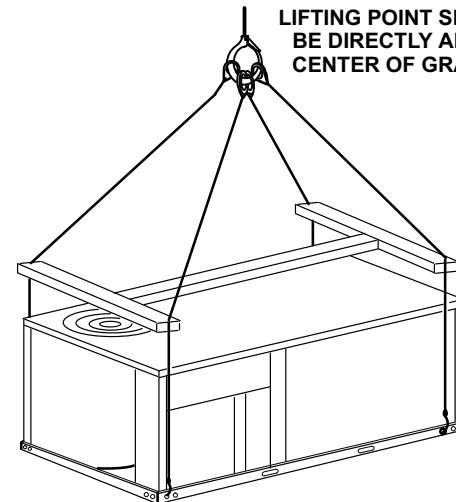
Forks 57" or SHORTER, carry a maximum of 1 unit.

WARNING



ZG/ZC/ZH 036, 048, 060, 072 RIGGING INSTRUCTIONS

- 1- Connect rigging to the unit base using both holes in each corner.
- 2- All panels must be in place for rigging.
- 3- Place field-provided H-style pick in place just above top edge of unit. Frame must be of adequate strength and length. (H-style pick prevents damage to top of unit.)



LIFTING POINT SHOULD BE DIRECTLY ABOVE CENTER OF GRAVITY

CAUTION - Do not walk on unit.

| Unit | *Weight | |
|------|---------|-----|
| | Lbs. | Kg. |
| ZG | 712 | 323 |
| ZC | 621 | 282 |
| ZH | 664 | 301 |

*Maximum weight with all available factory-installed accessories.

IMPORTANT - ALL PANELS MUST BE IN PLACE FOR RIGGING.

