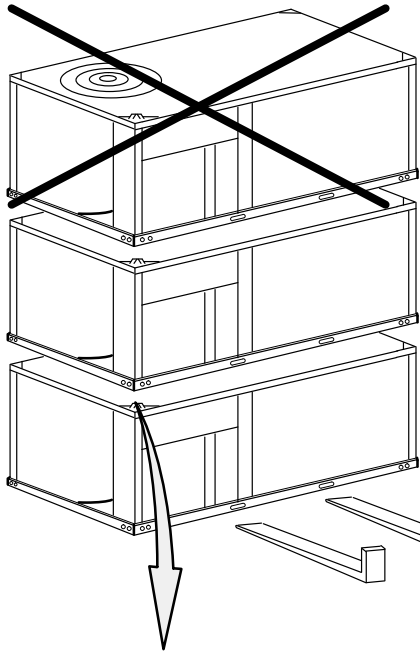
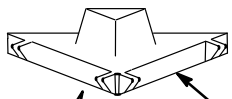
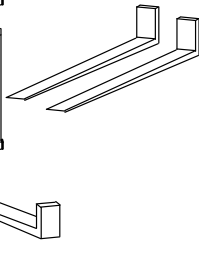


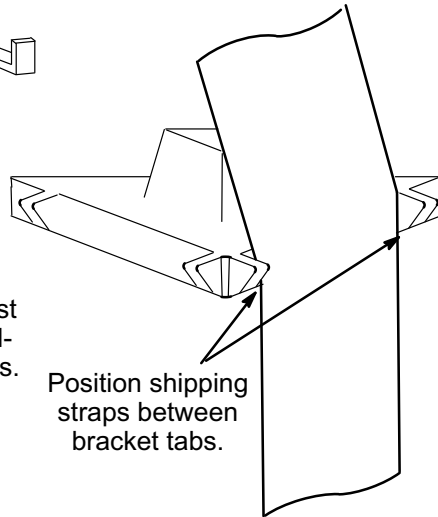
**ZG/ZC/ZH 036, 048, 060, 072, 074  
FORK TRUCK HANDLING**



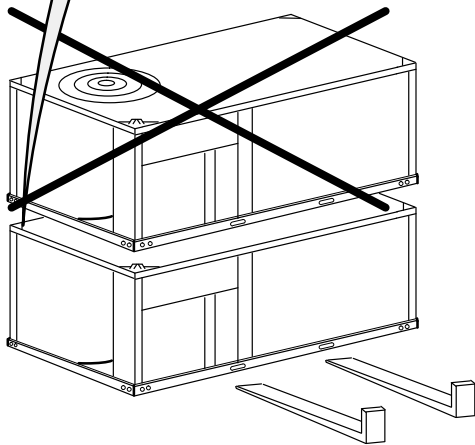
**Only forks OVER 57", carry a maximum of 2 units.**



**All four (4) brackets must be in place to stack multiple units or handle units.**

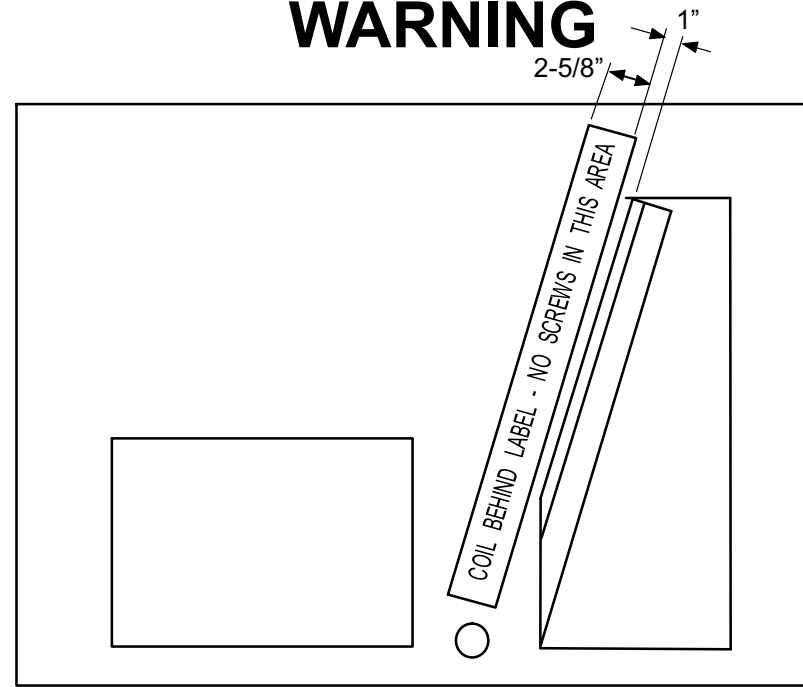


**Position shipping straps between bracket tabs.**



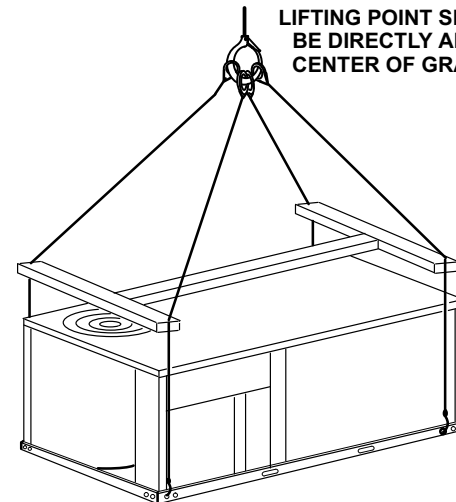
**Forks 57" or SHORTER, carry a maximum of 1 unit.**

**WARNING**



**ZG/ZC/ZH 036, 048, 060, 072, 074 RIGGING INSTRUCTIONS**

- 1- Connect rigging to the unit base using both holes in each corner.
- 2- All panels must be in place for rigging.
- 3- Place field-provided H-style pick in place just above top edge of unit. Frame must be of adequate strength and length. (H-style pick prevents damage to top of unit.)



**LIFTING POINT SHOULD BE DIRECTLY ABOVE CENTER OF GRAVITY**

**CAUTION - Do not walk on unit.**

Unit	*Weight	
	Lbs.	Kg.
ZG	712	323
ZC	621	282
ZH	664	301

\*Maximum weight with all available factory-installed accessories.

**IMPORTANT - ALL PANELS MUST BE IN PLACE FOR RIGGING.**