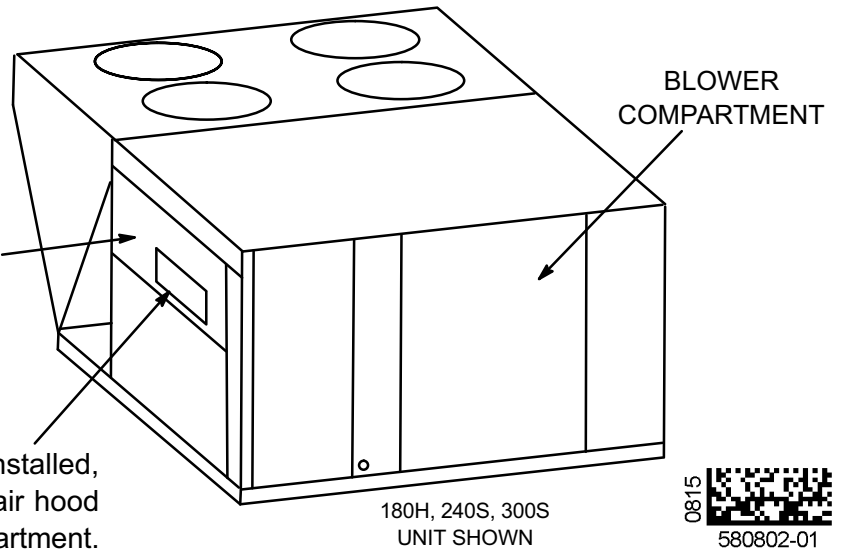


OUTDOOR AIR HOOD PARTS LOCATION

When an **economizer** is factory-installed, this panel is the outdoor air hood top. Additional hood parts are located in the blower compartment.

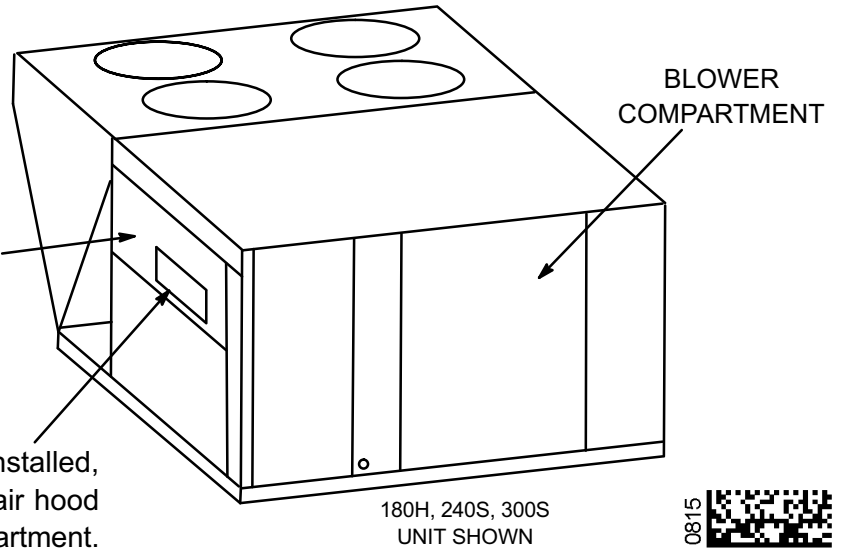
When an **outdoor air damper** is factory-installed, remove this panel and install the outdoor air hood parts which are located in the blower compartment.



OUTDOOR AIR HOOD PARTS LOCATION

When an **economizer** is factory-installed, this panel is the outdoor air hood top. Additional hood parts are located in the blower compartment.

When an **outdoor air damper** is factory-installed, remove this panel and install the outdoor air hood parts which are located in the blower compartment.



OUTDOOR AIR HOOD PARTS LOCATION

When an **economizer** is factory-installed, this panel is the outdoor air hood top. Additional hood parts are located in the blower compartment.

When an **outdoor air damper** is factory-installed, remove this panel and install the outdoor air hood parts which are located in the blower compartment.

