

47W20

INSTALLATION INSTRUCTIONS

KITS COMMON TO COOLING  
AND HEAT PUMP EQUIPMENT

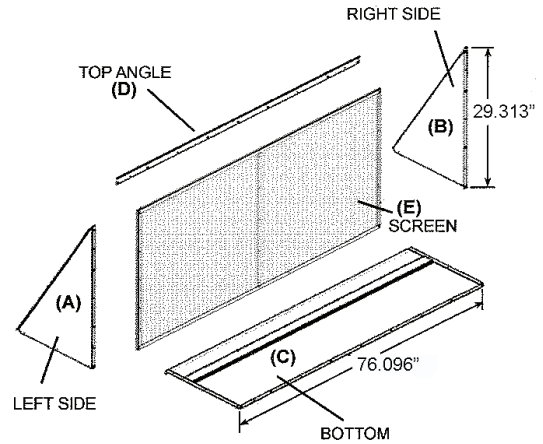
HAIL GUARDS  
SCA / SGA 036,060

### APPLICATION

The hail guard 47W20 is designed to prevent damage to the condenser coil of the HVAC unit. The following parts are included in the package:

### SHIPPING AND PACKING LIST

- 1 ea. - Hail Guard Left Side - (A)
- 1 ea. - Hail Guard Right Side - (B)
- 1 ea. - Hail Guard Bottom - (C)
- 1 ea. - Hail Guard Angle - (D)
- 1 ea. - Hail Guard Diamond cut screen assembly - (E)
- 1 ea. - Hardware Package
  - 1 ea - Installation Instruction
  - 28 ea - #10 - 1/2" Sheet Metal Screws



### CAUTION

WHEN INSTALLING GUARD, USE CARE TO NOT PUNCTURE CONDENSER COIL

### INSTALLATION

The 47W20 package includes (1) hail guard assembly.

#### STEP 1:

Attach hail guard sides (A & B) to condenser coil. Align the holes on the guard's side flange with the holes/screw in HVAC unit. DO NOT REMOVE screws that fall inside slots on both left and right sides. See "Slot Detail" below. Secure in place. See "Side View Detail".

#### STEP 2:

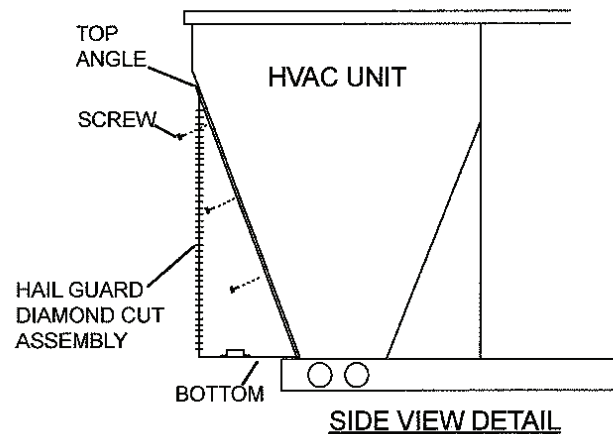
Insert the hail guard screen (diamond cut) (E) between left side (A) and right side (B). Screw in place using the supplied 10-16 X 1/2 screws.

#### STEP 3:

Place hail guard bottom panel (C) against unit base rail and position bottom panel (C) flanges to the outside of the side panels (A & B) using the supplied 10-16 X 1/2 screws.

#### STEP 4:

Attach top angle (D) in place by screwing to sides.



**IMPORTANT:**  
CENTER HAIL GUARD  
SIDE-TO-SIDE OVER  
CONDENSER COIL

