



PARTS AND OPTIONAL ACCESSORIES

COWB2

Standard-efficiency, oil-fired water boiler

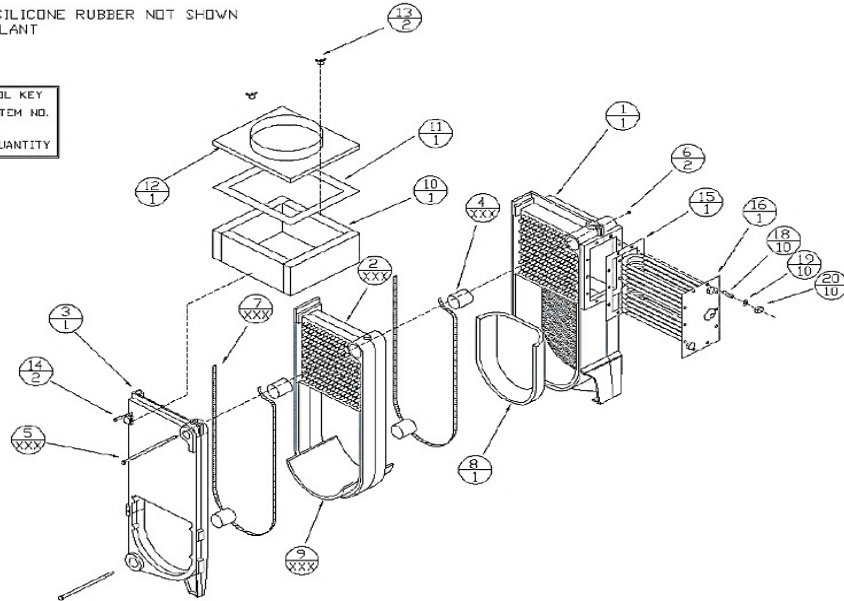
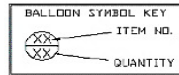


Repair Parts for COWB2 Series Boiler Block

*** When ordering replacement blocks a complete block assembly must be ordered.**

**** See page 2 for complete block**

- COVER PLATE FOR BOILERS WITHOUT TANKLESS COIL NOT SHOWN
- 1 1/4" SQUARE HEAD PLUGS NOT SHOWN
- 400°F BLACK SILICONE RUBBER NOT SHOWN ADHESIVE SEALANT



KEY No.	Description	3 SECTION		4 SECTION		5 SECTION	
		COWB2-3.0-		COWB2-4.0-		COWB2-5.0-	
		0.65,0.75,1.00 T		0.90,1.25,1.50 T		1.20,1.75,2.00 T	
		Part No.	Lennox Cat #	Part No.	Lennox Cat #	Part No.	Lennox Cat #
1	Water Boiler Back Section EW-3	403-00-008	Call	403-00-008	Call	403-00-008	Call
2	Water Boiler Middle Section EW-2	403-00-007	Call	403-00-007	Call	403-00-007	Call
3	Empire Water Front Section EW-1	403-00-015	Call	403-00-015	Call	403-00-015	Call
4	Cast Iron Machined Nipples 2"	433-00-976	Call	433-00-976	Call	433-00-976	Call
5	1/4" Tie Rods	146-05-002	74P41	146-05-051	Call	146-05-053	Call
6	Tie Rod 1/4"-20 Hex Head Nut	146-95-041	Call	146-95-041	Call	146-95-041	Call
7	5/16" x 70-1/2" Braided Rope	433-00-955	Call	433-00-955	Call	433-00-955	Call
8	Target Wall	146-19-003	74P33	146-19-003	74P33	146-19-003	74P33
9	1/2" thick Durablanket	146-30-031	Call	146-30-031	Call	146-30-031	Call
10	Collector Base (plus items 11,12,13)	425-00-279	Call	425-00-280	Call	425-00-281	Call
11	Insulation Tape (plus items 10,12,13)	425-00-279	Call	425-00-280	Call	425-00-281	Call
12	Collector Top (plus items 10,11,13)	425-00-279	Call	425-00-280	Call	425-00-281	Call
13	8/32" Brass Win Nut	137-04-007	Call	137-04-007	Call	137-04-007	Call
14	#14 x 3/4" Hex Washer Head Screw	146-95-070	Call	146-95-070	Call	146-95-070	Call
15	Coil Housing Gasket	550-00-1907	Y1762	550-00-1907	Y1762	550-00-1907	Y1762
16	3.7 GPM Tankless Coil	146-27-020	74P39	146-27-020	74P39	146-27-020	74P39
17	Coil Housin Cover Plate not shown	146-19-001	Call	146-19-001	Call	146-19-001	Call
18	Stainless Steel 3/8"-16 x 1-1/2" Stud	146-95-113	Call	146-95-113	Call	146-95-113	Call
19	Stainless Steel 3/8" Flat Washer	146-95-114	Call	146-95-114	Call	146-95-114	Call
20	Stainless Steel 3/8" To Lock Nut	146-95-115	Call	146-95-115	Call	146-95-115	Call
21	1-1/4" Solid Plug not shown	146-93-126	Call	146-93-126	Call	146-93-126	Call
22	Black Silicone Sealant (not shown)	146-06-020	Call	146-06-020	Call	146-06-020	Call
NS	Replacement coil kit (Incl.15,16,18,20)	43360408	Call	43360408	Call	43360408	Call

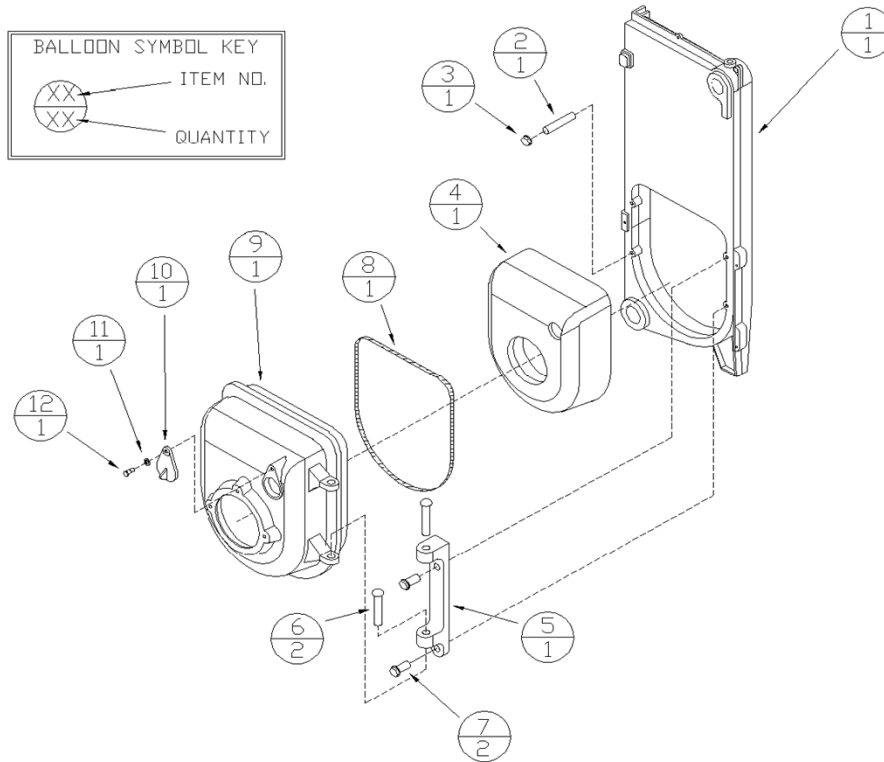
Notes:

When ordering parts, supply model number, part number required and description.

Dunkirk part numbers shown in SAP may be superseded by Dunkirk numbers listed here. You can still use the SAP catalogue numbers shown on this list.

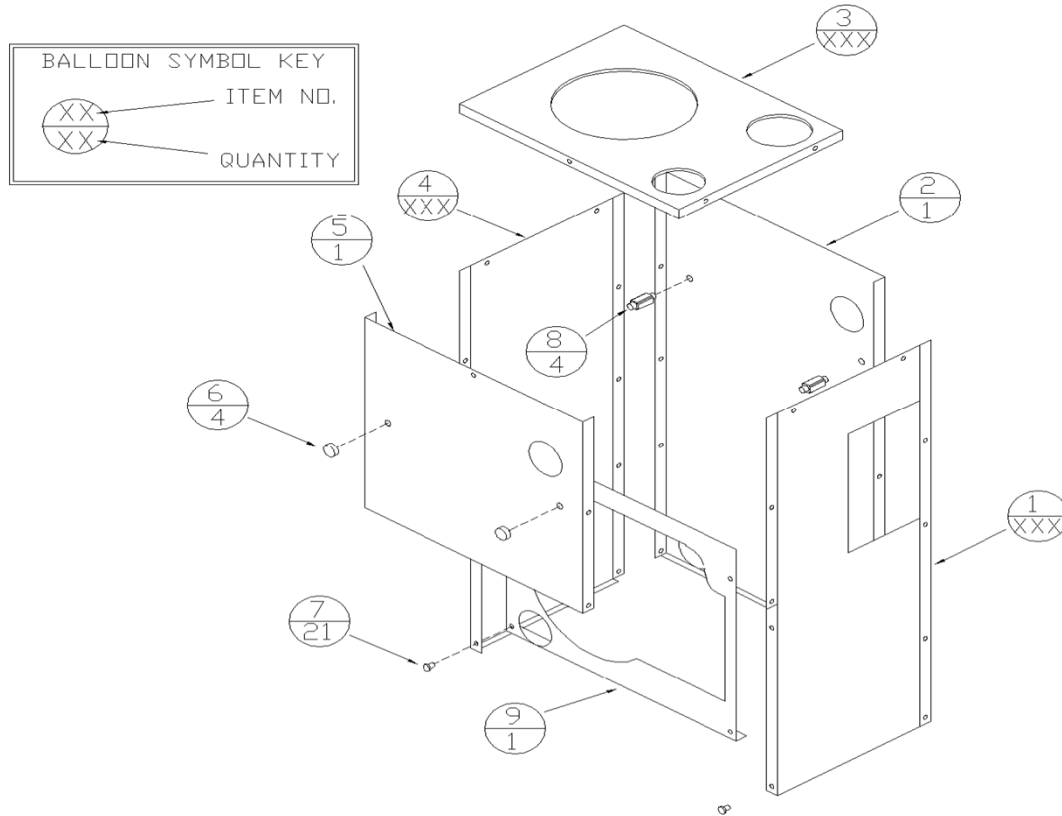
* Note: Item quantities marked XXX vary depending upon the number of sections. Four cast iron nipples for first middle replacement section and two for each additional section. Durablanket is sold as one oversized piece to be cut to fit the appropriate boiler 6" x 12" (COWB2-3), 9" X 20" (COWB2-4), 12" X 20" (COWB2-5). Black silicone sealant is sold in 10.1 oz. Cartridges.

Repair Parts for COWB2 Series Front Section



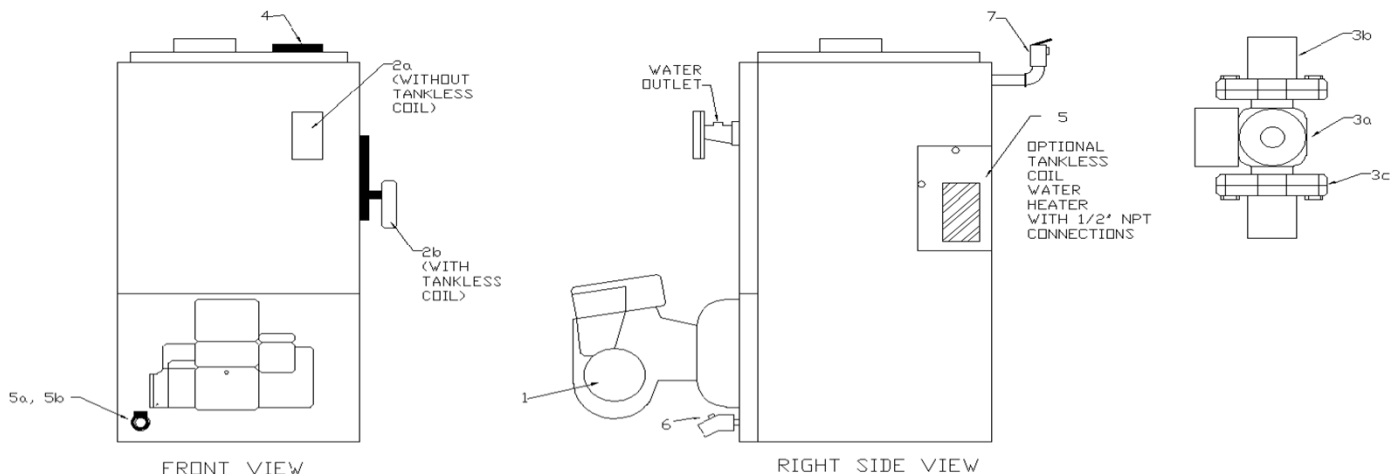
Key No.	Description	Part No.	Lennox Cat #
1	Empire Water Front Section (EW-1)	403-00-015	Call
2	3/8"-16 x 2-1/4" stud	146-95-125	Call
3	3/8" Whizlock Nut	146-95-126	Call
4	Swing Door Insulation	146-14-014	Call
5	Swing Door Hinge	403-00-010	Call
6	1/4" x 2" Round Head Rivet	146-95-121	Call
7	3/8" x 1" Hex Head Serrated Flange Bolt	146-95-124	Call
8	3/8" x 48" Fiberfrax Round Braid	433-00-905	Call
9	Swing Door	403-00-009	Call
10	Observation Door	403-00-014	Call
11	5/16" Lock Washer	146-95-123	Call
12	3/8" x 3/8" Shoulder Bolt 5/16"-18 Thread	146-95-122	Call
NS	Complete block assembly, 3 section (COWB2-3)	40300303	Call
NS	Complete block assembly, 4 section (COWB2-4)	40300403	Call
NS	Complete block assembly, 5 section (COWB2-5)	40300503	Call

Repair Parts for COWB2 Series Boiler Jacket



KEY No.	Description	3 SECTION		4 SECTION		5 SECTION	
		COWB2-3.0-		COWB2-4.0-		COWB2-5.0-	
		0.65,0.75,1.00 T		0.90,1.25,1.50 T		1.20,1.75,2.00 T	
		Part No.	Lennox Cat #	Part No.	Lennox Cat #	Part No.	Lennox Cat #
1	Right Side jacket Panel (Quartz Gray)	425-00-244	Call	425-00-245	Call	425-00-246	Call
2	Back Jacket Panel (Quartz Gray)	425-00-269	Call	425-00-269	Call	425-00-269	Call
3	Top Jacket Panel (Quartz Gray)	425-00-254	Call	425-00-255	Call	425-00-256	Call
4	Left Side jacket Panel (Quartz Gray)	425-00-264	Call	425-00-265	Call	425-00-266	Call
5	Upper Front Jacket Panel (Quartz Gray)	425-00-267	Call	425-00-267	Call	425-00-267	Call
6	5/16" Acorn Nut	146-95-042	Call	146-95-042	Call	146-95-042	Call
7	#10 x 1/2" Jacket Screw	146-95-074	Call	146-95-074	Call	146-95-074	Call
8	Stand Off	146-95-103	Call	146-95-103	Call	146-95-103	Call
9	Lower Front Jacket Panel boiler w/ swin door) (Quartz Gray)	425-00-268	Call	425-00-268	Call	425-00-268	Call
NS	Complete Jacket for Boiler with Swing Door (Quartz Gray)	425-00-289	Call	425-00-290	Call	425-00-291	Call

Repair Parts for COWB2 Series Boiler Controls



KEY No.	Description	3 SECTION		4 SECTION		5 SECTION	
		COWB2-3.0-		COWB2-4.0-		COWB2-5.0-	
		0.65,0.75,1.00 T		0.90,1.25,1.50 T		1.20,1.75,2.00 T	
		Part No.	Lennox Cat #	Part No.	Lennox Cat #	Part No.	Lennox Cat #
1	Beckett AFG F-Head Oil Burner	1050036	Call	1050037	Call	----	----
1	Beckett AFG Variable Head Oil	----		----		1050038	Call
----	Beckett AFG F-Head Low Fire Kit (0.65 gph)	433-00-015	Call	----	----	----	----
----	Beckett AFG F-Head Low Fire Kit (0.90 gph)	----		433-00-016	Call	----	
1	Carlin EZ-1 Oil Burner	146-19-005	Call	146-19-005	Call	146-19-005	Call
1	Carlin EZ-2 Oil Burner	----		----		146-19-006	Call
1	Riello 40 F5 Oil Burner	1050006	Call	1050006	Call	1050006	Call
1	Riello 40 F10 Oil Burner	----		----		146-19-011	Call
2a	L8148A-1124 Aquastat Control (no tankless coil)	433-00-521	Call	433-00-521	Call	433-00-521	Call
2b	L8124C-1094 Aquastat Control (with	146-62-022	57P01	146-62-022	57P01	146-62-022	57P01
3a	Taco 007 Circulator	146-26-047	Call	146-26-047	Call	146-26-047	Call
3b	1-1/4" Isolation Valves	146-26-048	X1202	146-26-048	X1202	146-26-048	X1202
3c	Taco Circulator Gaskets	146-26-050	Call	146-26-050	Call	146-26-050	Call
----	Taco 007 Circulator with Gaskets	CI-001.03	74P49	CI-001.03	74P49	CI-001.03	74P49
4	Temperature / Pressure Gauge 2" Stem	146-23-003	74P48	146-23-003	74P48	146-23-003	74P48
5a	1-1/4" x 2-1/2" Pipe Nipple	146-07-044	Call	146-07-044	Call	146-07-044	Call
5b	1-1/4" x 3/4" x 1-1/4" Reducing Tee	146-93-049	Call	146-93-049	Call	146-93-049	Call
6	3/4" Drain Valve	146-22-000	Call	146-22-000	Call	146-22-000	Call
7	3/4" Relief Valve	146-22-011	95P51	146-22-011	95P51	146-22-011	95P51

1050036 = Beckett #DR1501
 1050037 = Beckett #DR1502
 1050038 = Beckett #DR1503

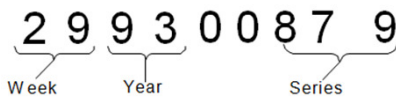
Repair Parts for COWB2 Series Oil Burner Controls

Description	Prior to October 2000		Oct 2000 thru Sept. 2001		After September 2001	
	Part No.	Lennox Cat #	Part No.	Lennox Cat #	Part No.	Lennox Cat #
Burner Motor #2456U (Repl. By 21805U)	146-19-101	Call	----	----	----	----
Burner Motor #21805U (PSC)	1050008	Y5638	1050008	Y5638	1050008	Y5638
Fuel Pump A2VA7116 / 2460U	1402007	Call	1402007	Call	----	----
Fuel Pump A2EA6520 /21844U	----	----	----	----	1402019	Call
Oil Solenoid Valve #5670	146-19-004	Call	146-19-004	Call	----	----
Oil Solenoid Valve #21755U	----	----	----	----	RP04601	Call
Ignition Transformer 2442U (repl. by 51771U)	1050007	Y5637	----	----	----	----
Igniter 51771U	----	----	1050007	Y5637	1050007	Y5637
Oil Primary Control R8184G / 70220	146-62-014	Call	----	----	----	----
Oil Primary Control R7184B / 74560	----	----	1140004	X1765	1140004	X1765
Electrodes for V1 Head (COWB2-5 only)	146-19-105	Y5646	146-19-105	Y5646	146-19-105	Y5646
Electrodes for F Head (COWB2-3 and 4) Electrodes 5780	146-19-104	Y5645	146-19-104	Y5645	146-19-104	Y5645
Oil Burner Heads F-0	1050003	Call	1050003	Call	1050003	Call
Oil Burner Heads F-3	1050002	Call	1050002	Call	1050002	Call
Oil Burner Heads F-6	1050004	Call	1050004	Call	1050004	Call
Oil Burner Heads V1	Not Stocked	Call	Not Stocked	Call	Not Stocked	Call
Burner Mounting Gasket	1250002	Call	1250002	Call	1250002	Call
Cad Cell C554A / 70060	146-62-085	Call	146-62-085	Call	146-62-085	Call
3 Section Blast tube Ass'y with welded flange, gasket, head and drawer assembly.	AF44WR 58020018	Call	AF44WR 58020018	Call	AF44WR 58020018	Call
4 Section Blast tube Ass'y with welded flange, gasket, head and drawer assembly.	AF44BA 58020017	Call	AF44BA 58020017	Call	AF44BA 58020017	Call
5 Section Blast tube Ass'y with welded flange, gasket, head and drawer assembly.	AFG50MD 580259	Call	AFG50MD 580259	Call	AFG50MD 580259	Call

Notes:
Due to changes in the design for the COWB2 series beckett oil burners it will be necessary for the customer to supply the serial number of the boiler when ordering repair parts for the oil burner controls.

* Where a list price is shown (in US\$), it means that the part is available as a 97319 vendor direct item

Dunkirk Serial Number Format:



Repair Parts for COWB2 Series Oil Burner, Nozzle and Air Settings

Boiler Model	Delvan Oil Nozzle	Firing Rate	Head-Adj. or setting	Low Fire Baffle	Air Shutter/ Band	Static Plate	Oil Burner
COWB2-3-.65*	0.50-80° B	0.65	F0 – 11/8	Yes	10/0	3 ^{5/8}	AFG F-Head
COWB2-3-.75	0.65-70° B	0.75	F3 – 11/8	Yes	10/0	3 ^{1/2}	AFG F-Head
COWB2-3-1.00	0.85-70° B	1.00	F3 – 11/8	No	10/2	3 ^{1/2}	AFG F-Head
COWB2-4-.90	0.75-80° A	0.90	F3 – 11/8	No	8/0	3 ^{1/2}	AFG F-Head
COWB2-4-1.25	1.00-80° A	1.25	F6 – 11/8	No	10/0	3 ^{3/8}	AFG F-Head
COWB2-4-1.50	1.25-80° A	1.50	F6 – 11/8	No	10/2	3 ^{3/8}	AFG F-Head
COWB2-5-1.20	1.00-60° B	1.20	0	No	10/1.5	2 ^{3/4}	AFG 50 MD
COWB2-5-1.75	1.50-45° B	1.75	2	No	10/4	2 ^{3/4}	AFG 50 MD
COWB2-5-2.00	1.65-60° B	2.00	4	No	10/5	2 ^{3/4}	AFG 50 MD

*To fire the 3EW .65 on rate, the oil pressure must be increased to 175 psig. All Beckett oil burners for the EW boiler are factory preset at 140 psig.

NOTE: All burners use an insertion depth of 2^{1/4} " and fired at a overtire draft of 0.02 inches w.c. The burner settings provided are intended for initial startup only. Final adjustment must be made using combustion test instruments.