



PARTS AND OPTIONAL ACCESSORIES

COWB3

Standard-efficiency, oil-fired water boiler

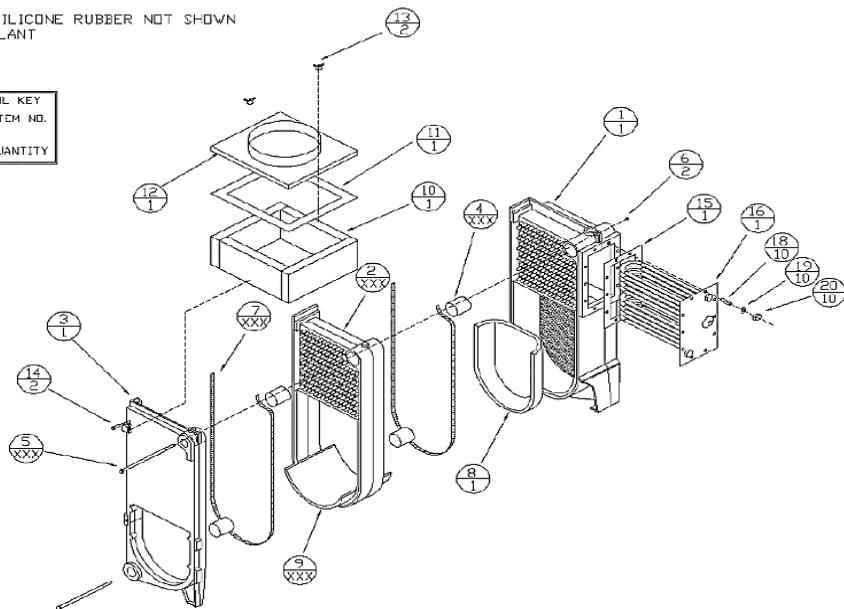
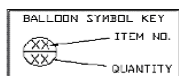


Repair Parts for COWB3 Series Boiler Block

* When ordering replacement blocks a complete block assembly must be ordered.

** See page 2 for complete block

- ① COVER PLATE FOR BOILERS WITHOUT TANKLESS COIL NOT SHOWN
- ② 1 1/4" SQUARE HEAD PLUGS NOT SHOWN
- ③ 400°F BLACK SILICONE RUBBER NOT SHOWN
- ④ ADHESIVE SEALANT



KEY No.	Description	3 SECTION		4 SECTION		5 SECTION	
		COWB3-3.0-		COWB3-4.0-		COWB3-5.0-	
		Part No.	Lennox Cat #	Part No.	Lennox Cat #	Part No.	Lennox Cat #
1	Water Boiler Back Section	40300008	Call	40300008	Call	40300008	Call
2	Water Boiler Middle Section	40300007	Call	40300007	Call	40300007	Call
3	Water Front Section	40300006	Call	40300006	Call	40300006	Call
4*	Cast Iron Machined Nipples 2"	43300976	Call	43300976	Call	43300976	Call
5	1/4" Tie Rods	14605002	Call	14605051	Call	14605053	Call
6	Tie Rods 1/4"20 Hex Head Nut	HW-003.02	Call	HW-003.02	Call	HW-003.02	Call
7*	5/16" x 701/2" Braided Rope	43300955	Call	43300955	Call	43300955	Call
8	Target Wall	14619003	74P33	14619003	74P33	14619003	74P33
9*	1/2" thick Durablanket	14630031	Call	14630031	Call	14630031	Call
10	Collector Complete (plus item 11, 12, 13)	42500279	Call	42500280	Call	42500281	Call
11	Insulation Tape (plus items 10, 12, 13)	42500279	Call	42500280	Call	42500281	Call
12	Collector Top (plus items 10,11,13)	42500279	Call	42500280	Call	42500281	Call
13	8/32" Brass Wing Nut	13704007	Call	13704007	Call	13704007	Call
14	5/16 X 1 1/4 Type A Hex Washer Head Screw	14695039	Call	14695039	Call	14695039	Call
15**	Coil Gasket	240007071	Call	240007071	Call	240007071	Call
16**	3.7 GPM Tankless Coil	14627020	74P39	14627020	74P39	14627020	74P39
17	Coil Housing Cover Plate (not shown)	43300256	Call	43300256	Call	43300256	Call
18**	Stainless Steel 3/8"16 x 11/2" Stud	14695113	Call	14695113	Call	14695113	Call
20**	Stainless Steel 3/8" Top Lock Nut	1330008	Call	1330008	Call	1330008	Call
21	1 1/4" Solid Plug (not shown)	1395002	Call	1395002	Call	1395002	Call
22	Black Silicone Sealant (not shown)	240006837	Call	240006837	Call	240006837	Call
‡	Battery	40300303	Call	40300403	Call	40300503	Call
‡	**Replacement Coil Kit (contains items 15, 16, 18, 20)	43360408	Call	43360408	Call	43360408	Call

Notes:

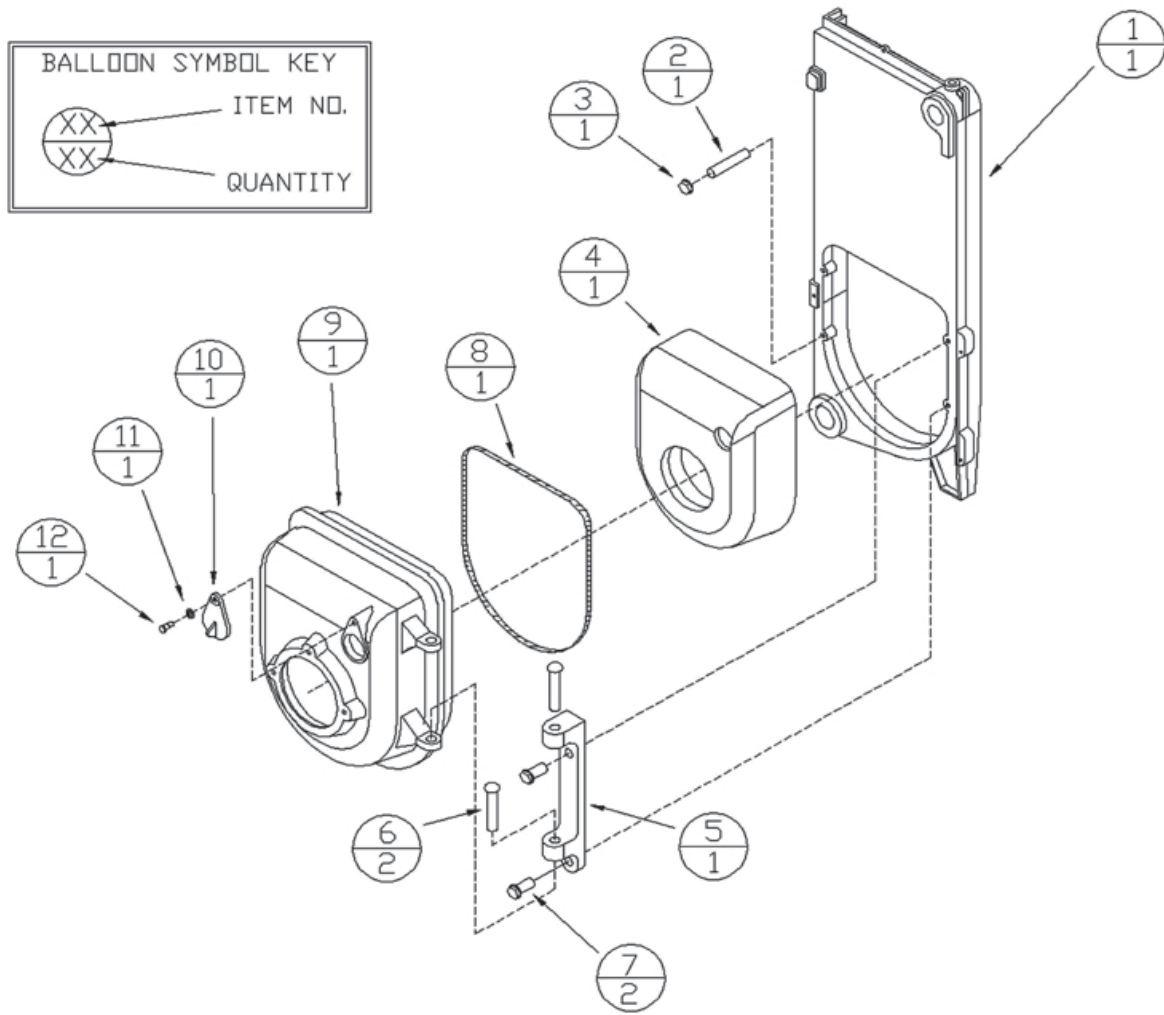
When ordering parts, supply model number, part number required and description.

Dunkirk part numbers shown in SAP may be superseded by Dunkirk numbers listed here. You can still use the SAP catalogue numbers shown on this list.

* Note: Item quantities marked XXX vary depending upon the number of sections. Four cast iron nipples for first middle replacement section and two for each additional section. Durablanket is sold as one oversized piece to be cut to fit the appropriate boiler 6" x 12" (COWB3-3), 9" X 20" (COWB3-4), 12" X 20" (COWB3-5). Black silicone sealant is sold in 10.1 oz. Cartridges.

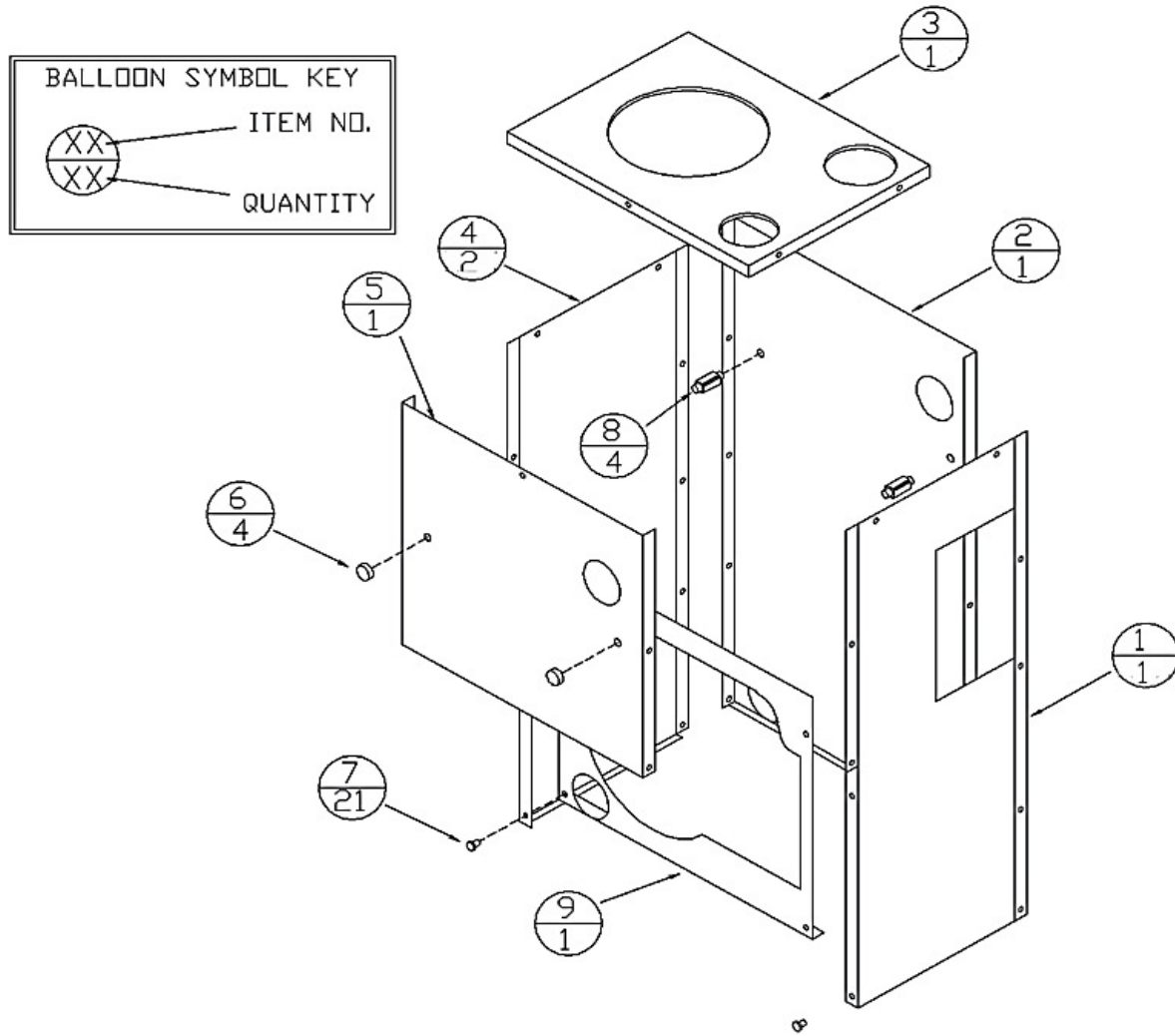
‡ Not illustrated.

Repair Parts for COWB3 Series Front Section



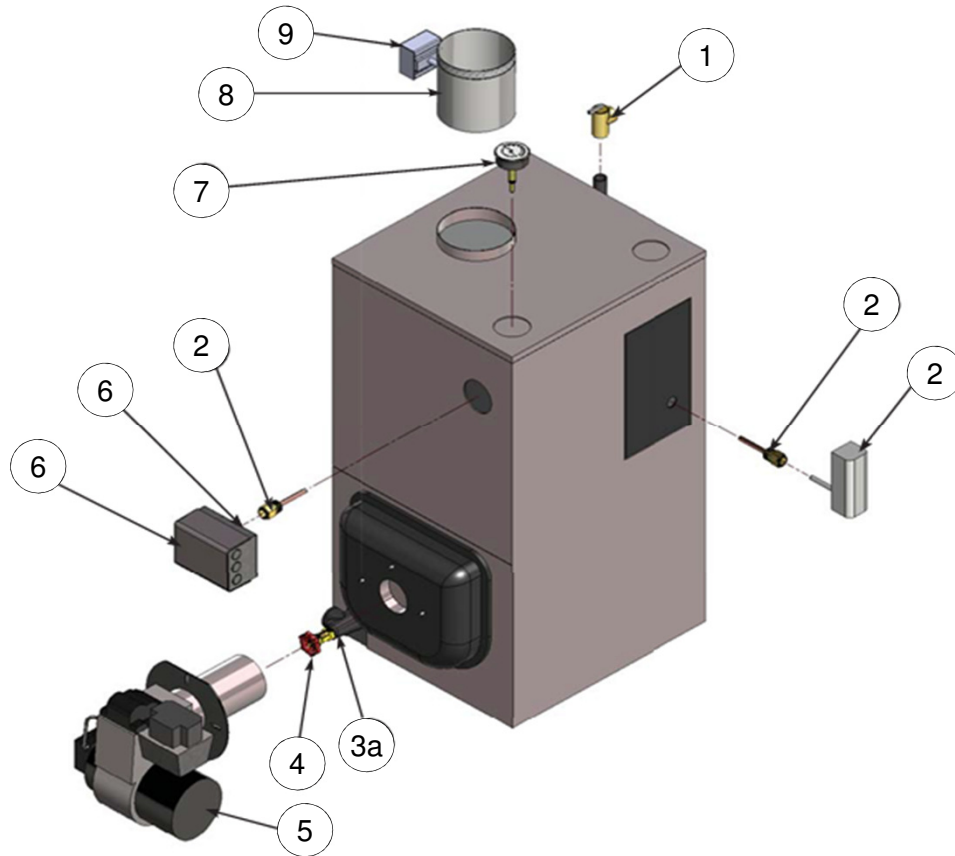
Key No.	Description	Part No.	Lennox Cat #
1	Water Front Section	40300006	Call
2	3/8" - 16 X 2-1/4" stud	14695125	Call
3	3/8" Whizlock Nut	14695126	Call
4	Swing Door Insulation	14614014	Call
5	Swing Door Hinge	40300010	Call
6	1/4" x 2" Round Head Rivet	14695121	Call
7	3/8" x 1" Hex Head Serrated Flange Bolt	14695124	Call
8	3/8" x 48" Round Braid	43300905	Call
9	Swing Door	40300009	Call
10	Observation Door	40300014	Call
11	5/16" Lock Washer	14695123	Call
12	3/8" x 3/8" Shoulder Bolt 5/16"-18 Thread	14695122	Call

Repair Parts for COWB Series Boiler Jacket



KEY No.	Description	3 SECTION		4 SECTION		5 SECTION	
		COWB3-3.0-		COWB3-4.0-		COWB3-5.0-	
		0.65,0.75,1.00 T		0.90,1.25,1.50 T		1.20,1.75,2.00 T	
		Part No.	Lennox Cat #	Part No.	Lennox Cat #	Part No.	Lennox Cat #
1	Right Side Jacket Panel	42500244AF	Call	42500245AF	Call	42500246AF	Call
2	Back jacket Panel	42500269AF	Call	42500269AF	Call	42500269AF	Call
3	Top jacket Panel	42500254AF	Call	42500255AF	Call	42500256AF	Call
4	Left Side Jacket Panel	42500264AF	Call	42500265AF	Call	42500266AF	Call
5	Upper Front Jacket Panel	42500267AF	Call	42500267AF	Call	42500267AF	Call
6	5/16" Acorn Nut	14695042	Call	14695042	Call	14695042	Call
7	#10 x 1/2" Jacket Screw	14695074	Call	14695074	Call	14695074	Call
8	Stand Off	14695103	Call	14695103	Call	14695103	Call
9	Lower Front Jacket Panel (boiler w/swing door)	42500268AF	Call	42500268AF	Call	42500268AF	Call
XX	Complete Jacket for Boiler with Swing Door	42600289AF	Call	42600290AF	Call	42600291AF	Call

Repair Parts for COWB3 Series Boiler Controls



KEY No.	Description	3 SECTION	4 SECTION	5 SECTION	Lennox Cat #
		COWB3-3.0-	COWB3-4.0-	COWB3-5.0-	
		Part No.			
1	3/4" Safety Relief Valve		14622011		95P51
2a	Well, 3/4" x 1 1/2", Honeywell 123870A		1635001		Call
2b	Low Limit Control (w/ Tankless Coil Only)		AQ-008.00		10F05
3a	1 1/4" x 2 1/2" Pipe Nipple		14607044		Call
3b	1 1/4" x 3/4" x 1 1/4" Reducing Tee		1510001		Call
4	3/4" Drain Valve		240009323		Y5378
5	Oil Burner, Beckett AFG	1050036	1050037	1050038	Call
6a	Limit, Honeywell L7248L		240009128		10D83
6b*	Sensor, Honeywell 50001464-001		240007686		10D80
7	Temperature/Pressure Gauge 2" Stem		1260006		Y5389
8	Flue Connector		30656		Call
9	Vent Switch		30660		Call
*	Taco 007 Circulator		CI-001.03		74P49

Repair Parts for COWB3 Series Beckett Oil Burner, Nozzle, and Air Setting

BOILER MODEL	DELEVAN OIL NOZZLE	INPUT RATE (gph)	HEAD-ADJ. OR SETTING	LOW FIRE BAFFLE	AIR SHUTTER/BAND	STATIC PLATE	OIL BURNER
COWB3-3-.65*	0.50-80° B	0.65	F0 - 1 1/8	YES	10/0	3 5/8	AFG F-HEAD
COWB3-3-.75	0.65-70° B	0.75	F3 - 1 1/8	YES	10/0	3 1/2	AFG F-HEAD
COWB3-3-1.00	0.85-70° B	1	F3 - 1 1/8	NO	10/2	3 1/2	AFG F-HEAD
COWB3-4-.90	0.75-80° A	0.9	F3 - 1 1/8	NO	8/0	3 1/2	AFG F-HEAD
COWB3-4-1.25	1.00-80° A	1.25	F6 - 1 1/8	NO	10/0	3 3/8	AFG F-HEAD
COWB3-4-1.50	1.25-80° A	1.5	F6 - 1 1/8	NO	10/2	3 3/8	AFG F-HEAD
COWB3-5-1.20	1.00-60° B	1.2	0	NO	10/1.5	2 3/4	AFG 50 MD
COWB3-5-1.75	1.50-45° B	1.75	2	NO	10/4	2 3/4	AFG 50 MD
COWB3-5-2.00	1.65-60° B	2	4	NO	10/5	2 3/4	AFG 50 MD

*To fire the COWB3-3-.65 on rate, the oil pressure must be increased to 175 psig. All Beckett oil burners for the COWB boilers are factory preset at 140 psig.

NOTE: All burners use an insertion depth of 2 1/4" and fired at an over fire draft of 0.02 inches w.c. The burner settings provided are intended for initial startup only. Final adjustment must be made using combustion test instruments.