



PARTS AND OPTIONAL ACCESSORIES

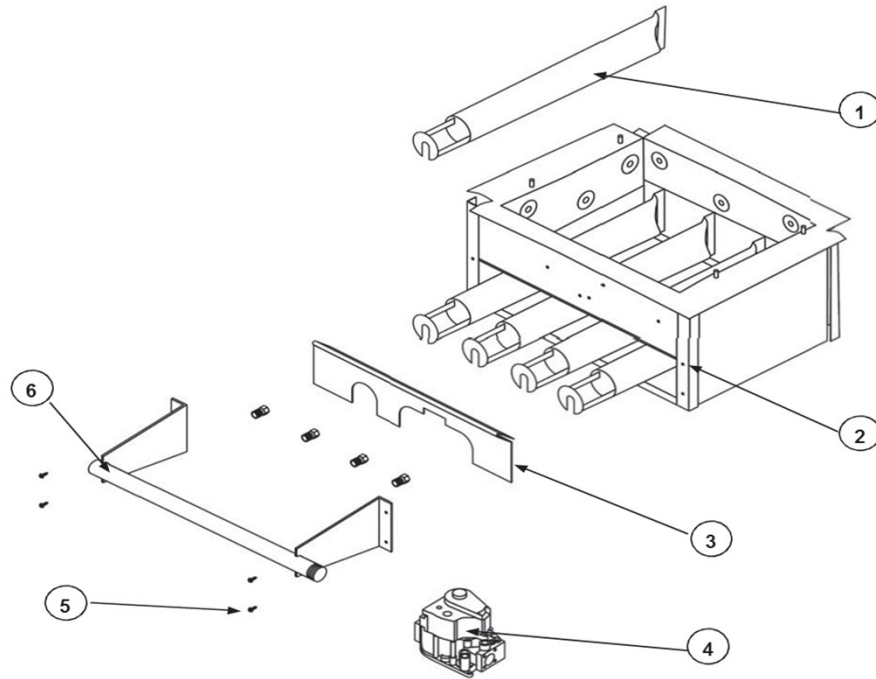
GWB8-E-2

Standard-efficiency, gas-fired water boiler



GWB8-050E-2, GWB8-075E-2, GWB8-100E-
2 GWB8-125E-2 GWB8-150E-2, 2GWB8-
170E-2 GWB8-200E-2

Repair Parts for GWB8-E-2 Series Boiler Base



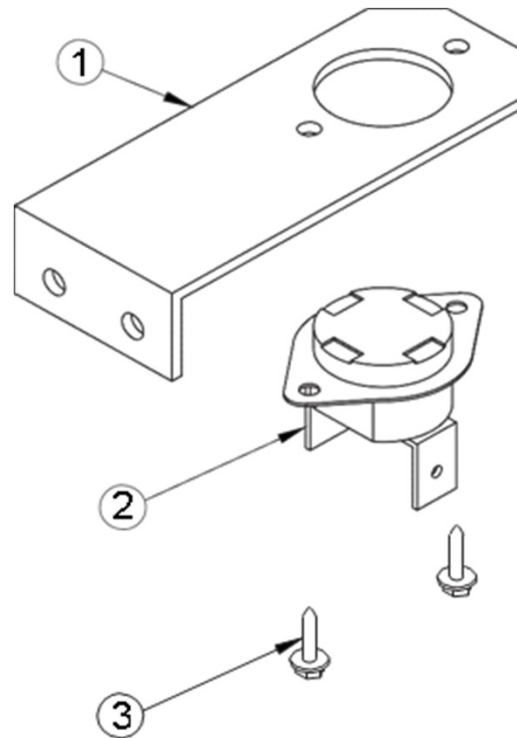
Key #	Description	Part #	Lennox CAT #	Qty.
1	BURNER TUBE 1 1/2" - 50	240005543	10D75	1
	BURNER TUBE 1 1/2" - 75, 100	240005543	10D75	2
	BURNER TUBE 1 1/2" - 125, 150	240005543	10D75	3
	BURNER TUBE 1 1/2" - 170, 200	240005543	10D75	4
2	BASE W/INSUL - 50	5611601	Call	1
	BASE W/INSUL - 75, 100	5611602	Call	1
	BASE W/INSUL - 125, 150	3001823	Call	1
	BASE W/INSUL - 170, 200	5611604	Call	1
3	BURNER DOOR - 50	3261201	Call	1
	BURNER DOOR - 75, 100	32611405	Call	1
	BURNER DOOR - 125, 150	109008513	Call	1
	BURNER DOOR - 170, 200	109008514	Call	1
4	GAS VALVE VR8204H - 50 - 150 SPARK NAT	VG01101	Y5405	1
	GAS VALVE VR8304H4 - 170-200 SPARK NAT	VG01103	Y5406	1
	GAS VALVE VR8304 - 50-200 SPARK LP	VG01104	10F08	1
5	SCREW 1/4 - 20 X 1/2 SELF TAP	HW-005.01	Call	4
6	MANIFOLD - 50	356-2-1.01	Call	1
	MANIFOLD - 75 & 100	356-2-1.02	Call	1
	MANIFOLD - 125 & 150	356-2-1.03	Call	1
	MANIFOLD - 170 & 200	356-2-1.04	Call	1
7	ORIFICE 3.2mm NAT - 50, 100, 150, 200,	240007406	Call	*
	ORIFICE 2.9mm NAT - 125, 170	240007403	Call	*
	ORIFICE 2.8mm NAT - 75	240007402	Call	*
	ORIFICE #45 LP - 50	3551520	Call	*
	ORIFICE #47 LP - 100, 150, 200	355-1-5.04	Call	*
	ORIFICE #49 LP - 125 & 170	355-1-5.06	Call	*
	ORIFICE #50 LP - 75	355-1-5.07	Call	*
NOT SHOWN	COMBUSTIBLE BASE FLOORING - 50	325-2-8.01	Call	1
	COMBUSTIBLE BASE FLOORING - 75, 100	325-2-8.02	Call	1
	COMBUSTIBLE BASE FLOORING - 125, 150	325-2-8.03	Call	1
	COMBUSTIBLE BASE FLOORING - 170, 200	325-2-8.04	Call	1

*Orifice Quantities: Model 50 - qty 1; Model 75 & 100- qty 2; Model 125 & 150- qty 3; Model 170 & 200 - qty 4

Repair Parts for GWB8-E-2 Series Heat Exchanger

Part #	Lennox Cat #	Description
912000001	Call	Heat Exchanger (2 Section)
912000002	Call	Heat Exchanger (3 Section)
912000003	Call	Heat Exchanger (4 Section)
912000004	Call	Heat Exchanger (5 Section)

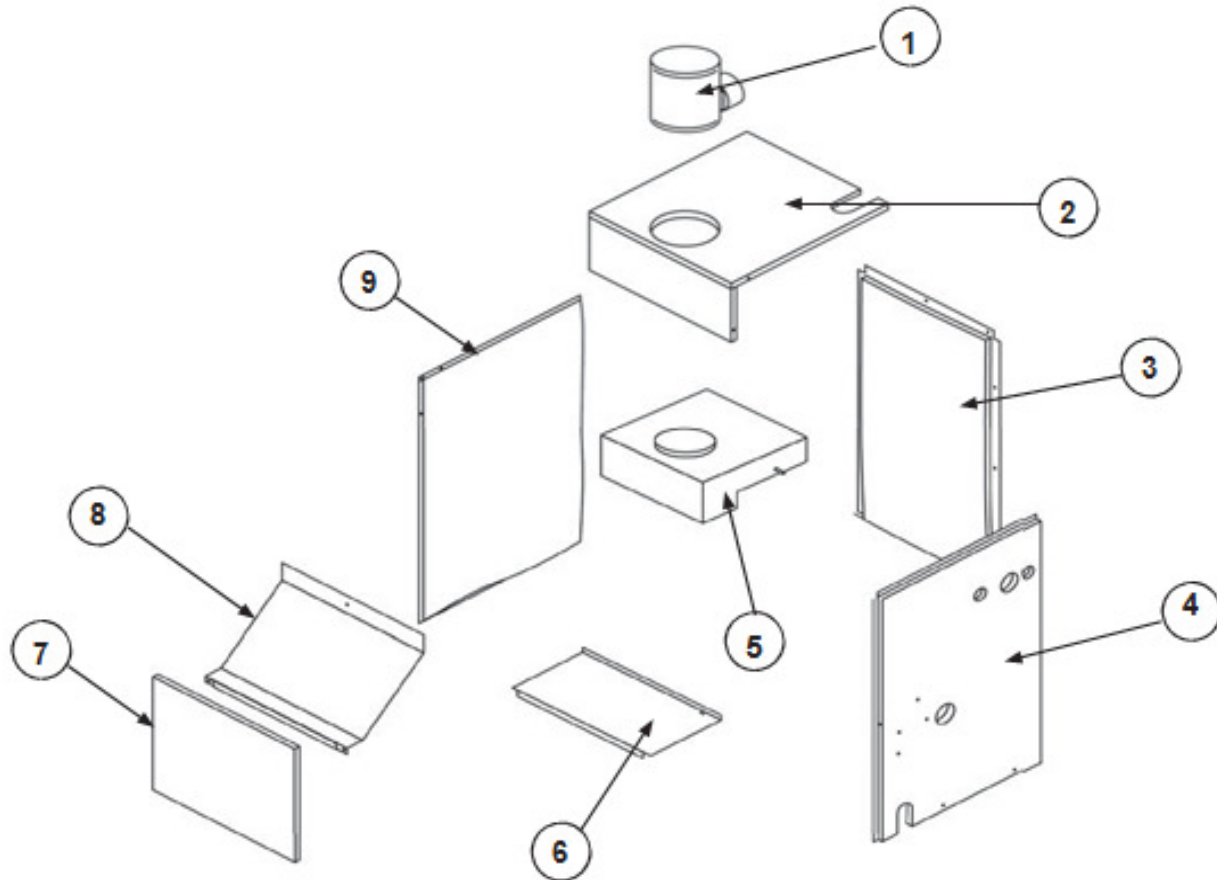
Repair Parts for GWB8-E-2 Series Rollout and Spill Switch



3 Section Bracket Shown

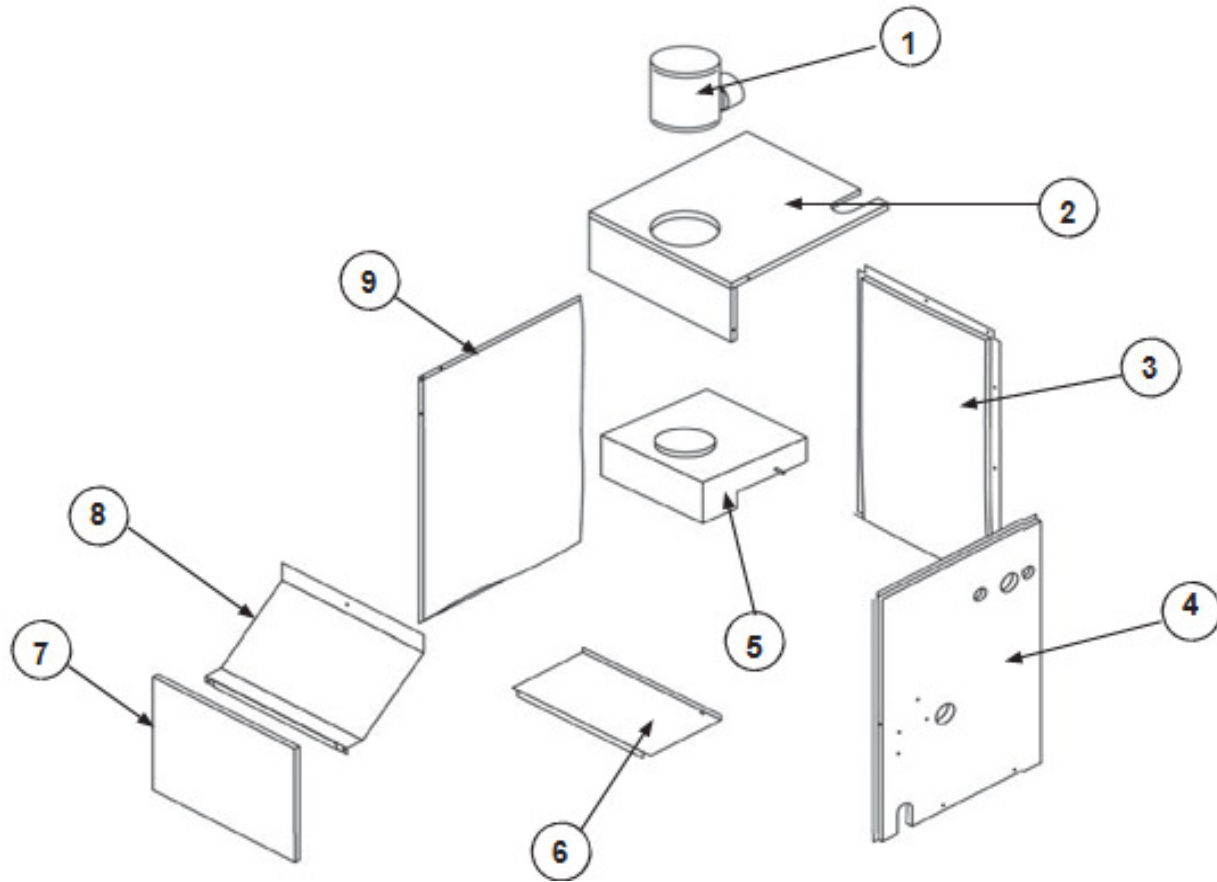
Key				
#	Description	Part #	Lennox CAT #	Qty.
1	2 SECTION TEMP. SENSOR BRACKET (Rollout)	32611001	Call	1
	3 SECTION TEMP. SENSOR BRACKET (Rollout)	3262001	Call	1
	4 SECTION TEMP. SENSOR BRACKET (Rollout)	109008517	Call	1
	5 SECTION TEMP. SENSOR BRACKET (Rollout)	109008518	Call	1
2	CONTROL-FIXED TEMPERATURE THERMO (ROLLOUT SWITCH AND SPILL SCREW - #6 X 1/4 HEX HDSWITCH)	AQ02101	Y5407	1
3	SCREW - #6 X 1/4 HEX HD	HW06501	Call	2

Repair Parts for GWB8-E-2 Series Jacket



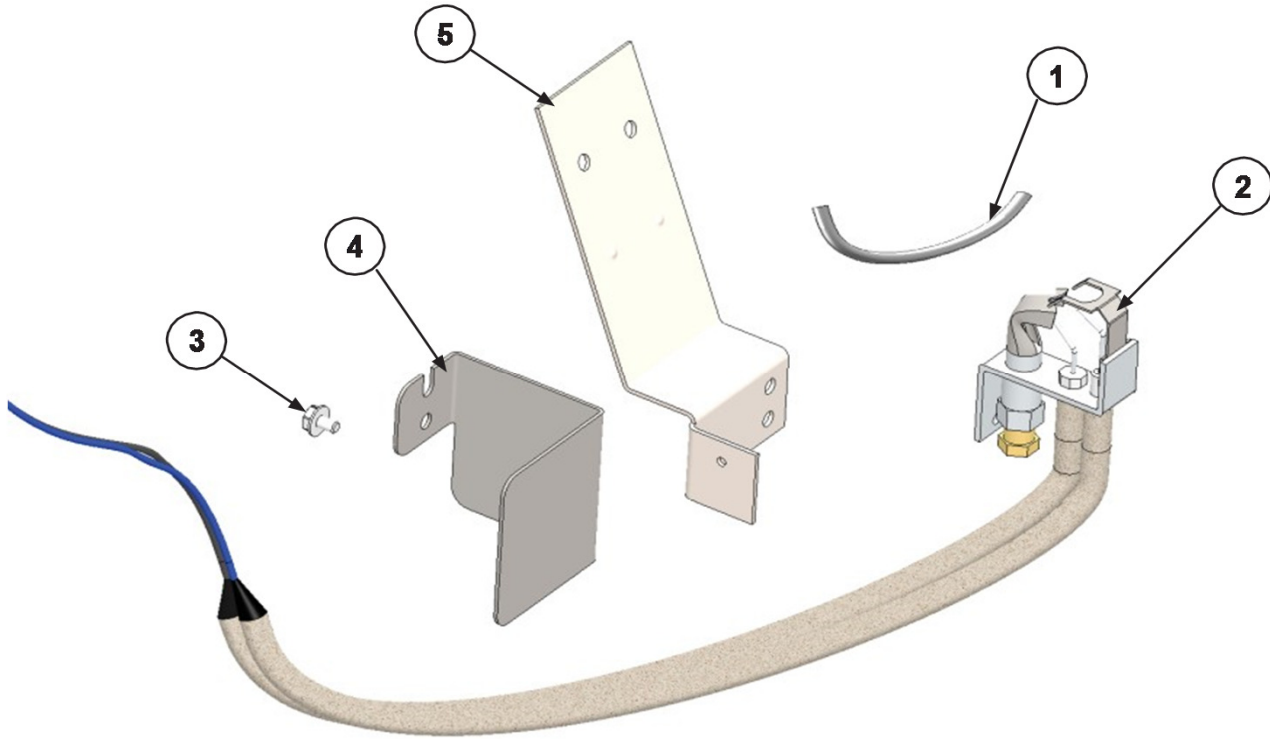
Key				
#	Description	Part N o.	Lennox CAT #	Qty.
1	DAMPER 4" 50	240006936	10D77	1
	DAMPER 5" 75	240006937	10D78	1
	DAMPER 6" 100 & 125	240006938	75Y13	1
	DAMPER 7" 150 & 170	240006939	75Y14	1
	DAMPER 8" 200	240006940	10D79	1
2	PANEL - TOP 50	31621501AF	Call	1
	PANEL - TOP 75 & 100	31621501AF	Call	1
	PANEL - TOP 125	31621501AF	Call	1
	PANEL - TOP 150	31621501AF	Call	1
	PANEL - TOP 170 & 200	31621501AF	Call	1
3	PANEL - REAR 50	3162601AF	Call	1
	PANEL - REAR 75 & 100	3162602AF	Call	1
	PANEL - REAR 125 & 150	3162603AF	Call	1
	PANEL - REAR 170 & 200	3162604AF	Call	1
4	PANEL - RIGHT	109008633AF	Call	1
5	FLUE COL 50	3462101	Call	1
	FLUE COL 75	3462108	Call	1
	FLUE COL 100	3462102	Call	1
	FLUE COL 125	3462107	Call	1
	FLUE COL 150	3462103	Call	1
	FLUE COL 170	3462109	Call	1
	FLUE COL 200	3462104	Call	1

Repair Parts for GWB8-E-2 Series Jacket



Key #	Description	Part N o.	Lennox CAT #	Qty.
6	PANEL - BASE 50	3161201AF	Call	1
	PANEL - BASE 75 & 100	3161202AF	Call	1
	PANEL - BASE 125 & 150	3161203AF	Call	1
	PANEL - BASE 170 & 200	3161204AF	Call	1
7	PNL LWR ACCES 50	3161101AF	Call	1
	PNL LWR ACCES 75/100	3161102AF	Call	1
	PNL LWR ACCES 125/150	3161103AF	Call	1
	PNL LWR ACCES 170/200	3161104AF	Call	1
8	DRAFT DEFLECTOR 50	3162501AF	Call	1
	DRAFT DEFLECTOR 75/100	3162502AF	Call	1
	DRAFT DEFLECTOR 125/150	3162503AF	Call	1
	DRAFT DEFLECTOR 170/200	3162504AF	Call	1
9	PANEL - LEFT	3162708AF	Call	1
10	PNL- UPPER ACCESS 50	31621201AF	Call	1
	PNL- UPPER ACCESS 75&100	31621202AF	Call	1
	PNL- UPPER ACCESS 125	31621203AF	Call	1
	PNL- UPPER ACCESS 150	31621204AF	Call	1
	PNL- UPPER ACCESS 170 & 200	31621205AF	Call	1

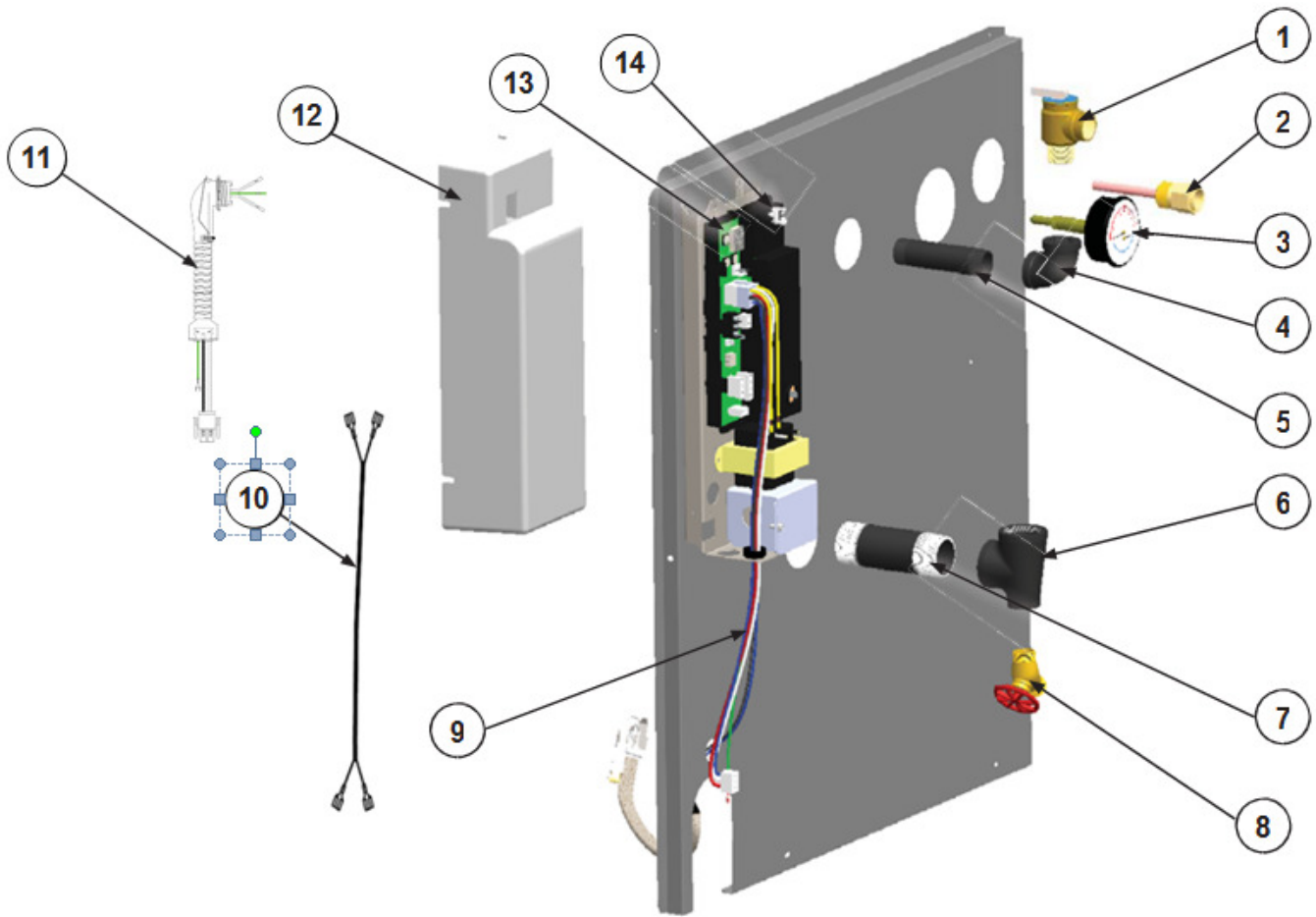
Repair Parts for GWB8-E-2 Series Pilot



Spark Pilot Kit #550002585		
Key #	Description	Qty.
1	PILOT TUBING, 1/8" x 24"	1
2	NATURAL GAS PILOT	1
3	BRACKET SCREW	1
4	PILOT SHIELD	1
5	PILOT BRACKET ASSEMBLY	1
*	LP ORIFICE	1
*	COMPRESSION FITTING	1

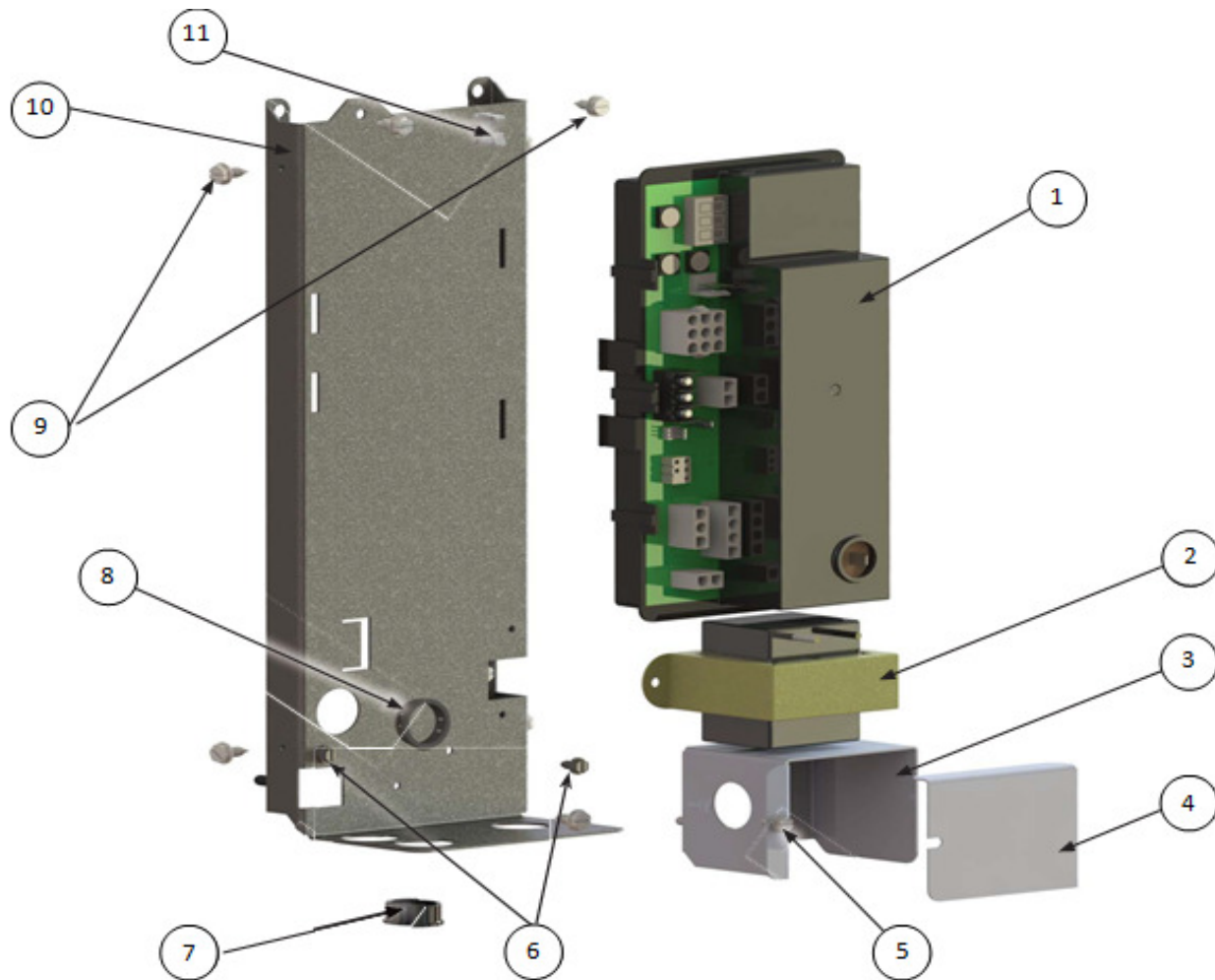
Lennox Cat # Y5408

Repair Parts for GWB8-E-2 Series Boiler Controls and Piping



#	Description	Part N o.	Lennox CAT #	Qty.
1	Control Module	240008781	Y5409	1
2	50 VA Transformer	240008782	Y5410	1
3	J-BOX	109008634	Call	1
4	J-BOX COVER	109008335	Call	1
5	SCREW # 8X 1/2 " B POINT	20100021	Call	4
6	GROUND SCREW # 8	HW07701	Call	2
7	GROMMET, PLASTIC 7/8"	14693011	Call	1
8	GROMMET, PLASTIC 7/8"	20600023	Call	1
9	SCREW #10 X 1/2" , A POINT	14695074	Call	8
10	CONTROL PANEL	109008507	Call	1
11	CABLE KEEPER	EF03601	Call	1
*	SENSOR, 36"	240007732	Y5411	1
*	SENSOR CLIP	240008013	Y5412	1
*	DAMPER HARNESS	240006309	10D76	1

Repair Parts for GWB8-E-2 Series Control Module



Key				
#	Description	Part N o.	Lennox CAT #	Qty.
1	Control Module	240008781	Y5409	1
2	50 VA Transformer	240008782	Y5410	1
3	J-BOX	109008634	Call	1
4	J-BOX COVER	109008335	Call	1
5	SCREW # 8X 1/2 " B POINT	20100021	Call	4
6	GROUND SCREW # 8	HW07701	Call	2
7	GROMMET, PLASTIC 7/8"	14693011	Call	1
8	GROMMET, PLASTIC 7/8"	20600023	Call	1
9	SCREW # 10 X 1/2" , A POINT	14695074	Call	8
10	CONTROL PANEL	109008507	Call	1
11	CABLE KEEPER	EF03601	Call	1
*	SENSOR, 36"	240007732	Y5411	1
*	SENSOR CLIP	240008013	Y5412	1
*	DAMPER HARNESS	240006309	10D76	1