



# PARTS AND OPTIONAL ACCESSORIES

## GWB8-E

Standard-efficiency, gas-fired water boiler

---



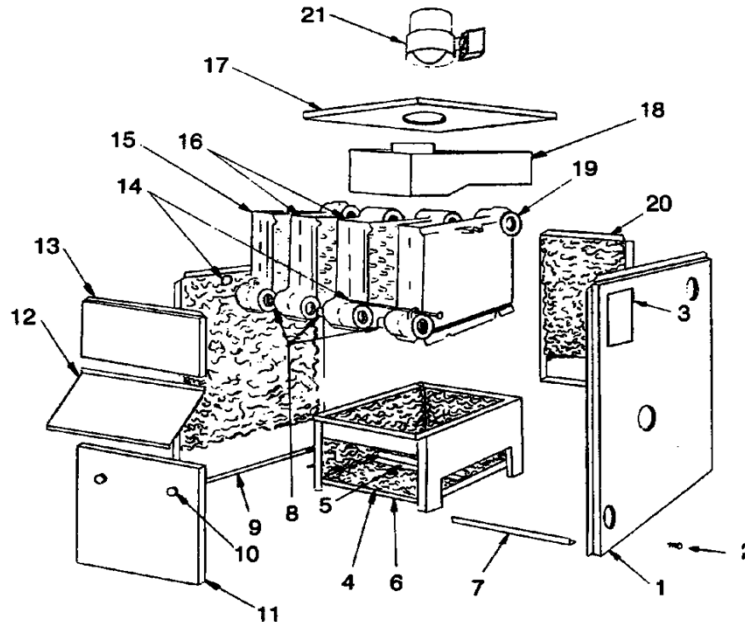
GWB8-E/S, CPWB, CWB and  
CPVWB Series

---

## Repair Parts for GWB8-E/S, CPWB, CWB and CPVWB Series Jacket Section and Base Parts 037-140

**Notes:**  
When ordering parts, supply model number, part number required and description.

Dunkirk part numbers shown in SAP may be superseded by Dunkirk numbers listed here. You can still use the SAP catalogue numbers shown on this list.



\* When ordering replacement blocks a complete block assembly must be

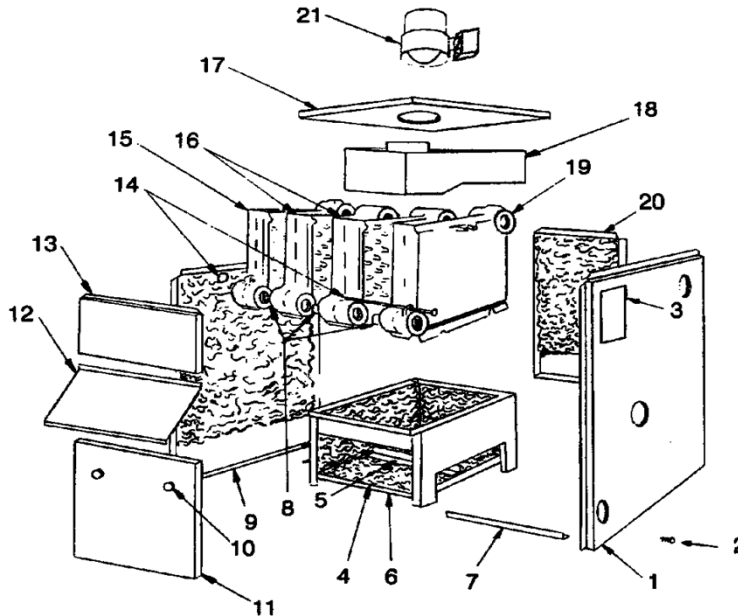
KEY No.	Description	NATURAL GAS / LP							
		2 SECTION		3 SECTION		4 SECTION		5 SECTION	
		GWB8-037 E/S		GWB8-070 E/S		GWB8-105 E/S		GWB8-140 E/S	
	Part No.	Lennox Cat #	Part No.	Lennox Cat #	Part No.	Lennox Cat #	Part No.	Lennox Cat #	
1	Jacket, Right Side Panel	425-00-901	Call	425-00-901	Call	425-00-901	Call	425-00-901	Call
2	#10 x 1/2" Sheet Metal Screw	146-95-074	Call	146-95-074	Call	146-95-074	Call	146-95-074	Call
3	Rating Plate	146-94-016	Call	146-94-016	Call	146-94-016	Call	146-94-016	Call
4	Base Insulation - Base Sides (2)	146-14-020	Call	146-14-130	Call	146-14-130	Call	146-14-130	Call
	- Base Front	146-14-112	Call	146-14-113	Call	146-14-114	Call	146-14-115	Call
	- Base Rear	146-14-122	Call	146-14-123	Call	146-14-124	Call	146-14-125	Call
5	Base Battle	425-00-642	Call	425-00-643	Call	425-00-644	Call	425-00-645	Call
6	Base	425-00-662	Call	425-00-663	Call	425-00-664	Call	425-00-665	Call
7	Jacket Tie Bar	425-00-652	Call	425-00-653	Call	425-00-654	Call	425-00-655	Call
8	Push Nipple	433-00-976	Call	433-00-976	Call	433-00-976	Call	433-00-976	Call
9	Jacket, Left Side Panel	425-00-900	Call	425-00-900	Call	425-00-900	Call	425-00-900	Call
10	Knob, Service Door (pair)	137-02-153	Call	137-02-153	Call	137-02-153	Call	137-02-153	Call
11	Jacket Service Door	425-00-912	Call	425-00-913	Call	425-00-914	Call	425-00-915	Call
12	Jacket Intermediate Panel	425-00-812	Call	425-00-813	Call	425-00-814	Call	425-00-815	Call
13	Jacket Front Panel	425-00-810	Call	425-00-811	Call	425-00-804	Call	425-00-805	Call
14	1/4" Tie Rod and Nut	146-05-008	Call	146-05-001	Call	146-05-002	Call	146-05-051	Call
15	Boiler Section, Left End	410-00-020	Call	410-00-020	Call	410-00-020	Call	410-00-020	Call
16	Boiler Section, Middle	410-00-022	Call	410-00-022	Call	410-00-022	Call	410-00-022	Call
17	Jacket Top Panel	425-00-842	Call	425-00-843	Call	425-00-844	Call	425-00-845	Call
18	Draft Diverter	425-00-672	Call	425-00-673	Call	425-00-674	Call	425-00-675	Call
19	Boiler Section, Right End	410-00-021	Call	410-00-021	Call	410-00-021	Call	410-00-021	Call
20	Jacket Back Panel	425-00-902	Call	425-00-903	Call	425-00-904	Call	425-00-905	Call
NS	Jacket Complete	425-00-922	Call	425-00-923	Call	425-00-924	Call	425-00-925	Call
NS	Block Assembly (19, 16, 15, 14, 8)	410-00-213	Call	410-00-313	Call	410-00-413	Call	410-00-513	Call
NS	Cerafelt Gasket	146-14-018	Call	146-14-018	Call	146-14-018	Call	146-14-018	Call
21	Vent Damper	240006936	10D77	240006937	10D78	240006938	75Y13	240006938	75Y13
NS	Base Assembly (4,5,6)	433-00-662	Call	433-00-663	Call	433-00-664	Call	433-00-665	Call

## Repair Parts for GWB8-E/S, CPWB, CWB and CPVWB Series Jacket Section and Base Parts 175 - 280

**Notes:**  
When ordering parts, supply model number, part number required and description.

Dunkirk part numbers shown in SAP may be superseded by Dunkirk numbers listed here. You can still use the SAP catalogue numbers shown on this list.

\* When ordering replacement blocks a complete block assembly must be

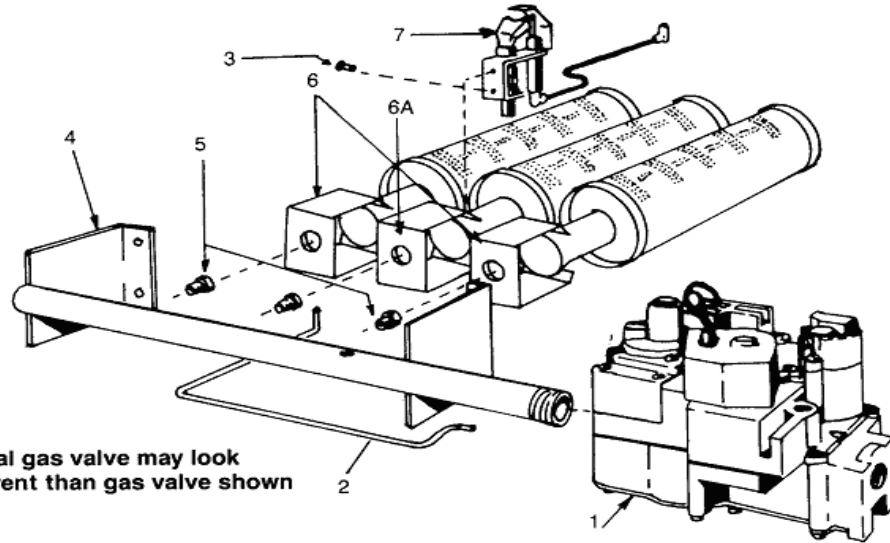


KEY No.	Description	NATURAL GAS / LP							
		6 SECTION		7SECTION		8 SECTION		9 SECTION	
		GWB8-175 E/S		GWB8-210 E/S		GWB8-245 E/S		GWB8-280 E/S	
	Part No.	Lennox Cat #	Part No.	Lennox Cat #	Part No.	Lennox Cat #	Part No.	Lennox Cat #	
1	Jacket, Right Side Panel	425-00-901	Call	425-00-901	Call	425-00-901	Call	425-00-901	Call
2	#10 x 1/2" Sheet Metal Screw	146-95-074	Call	146-95-074	Call	146-95-074	Call	146-95-074	Call
3	Rating Plate	146-94-016	Call	146-94-016	Call	146-94-016	Call	146-94-016	Call
4	Base Insulation - Base Sides (2)	146-14-130	Call	146-14-130	Call	146-14-130	Call	146-14-130	Call
	- Base Front	146-14-116	Call	146-14-117	Call	146-14-118	Call	146-14-119	Call
	- Base Rear	146-14-126	Call	146-14-127	Call	146-14-128	Call	146-14-129	Call
5	Base Battle	425-00-646	Call	425-00-647	Call	425-00-648	Call	425-00-649	Call
6	Base	425-00-666	Call	425-00-667	Call	425-00-668	Call	425-00-669	Call
7	Jacket Tie Bar	425-00-656	Call	425-00-657	Call	425-00-658	Call	425-00-659	Call
8	Push Nipple	433-00-976	Call	433-00-976	Call	433-00-976	Call	433-00-976	Call
9	Jacket, Left Side Panel	425-00-900	Call	425-00-900	Call	425-00-900	Call	425-00-900	Call
10	Knob, Service Door (pair)	137-02-153	Call	137-02-153	Call	137-02-153	Call	137-02-153	Call
11	Jacket Service Door	425-00-916	Call	425-00-917	Call	425-00-918	Call	425-00-919	Call
12	Jacket Intermediate Panel	425-00-816	Call	425-00-817	Call	425-00-818	Call	425-00-819	Call
13	Jacket Front Panel	425-00-806	Call	425-00-807	Call	425-00-808	Call	425-00-809	Call
14	1/4" Tie Rod and Nut	146-05-053	Call	146-05-005	Call	146-05-007	Call	146-05-009	Call
15	Boiler Section, Left End	410-00-020	Call	410-00-020	Call	410-00-020	Call	410-00-020	Call
16	Boiler Section, Middle	410-00-022	Call	410-00-022	Call	410-00-022	Call	410-00-022	Call
17	Jacket Top Panel	425-00-846	Call	425-00-847	Call	425-00-848	Call	425-00-849	Call
18	Drt Diverter	425-00-676	Call	425-00-677	Call	425-00-678	Call	425-00-679	Call
19	Boiler Section, Right End	410-00-021	Call	410-00-021	Call	410-00-021	Call	410-00-021	Call
20	Jacket Back Panel	425-00-906	Call	425-00-907	Call	425-00-908	Call	425-00-909	Call
NS	Jacket Complete	425-00-926	Call	425-00-927	Call	425-00-928	Call	425-00-929	Call
NS	Block Assembly (19, 16, 15, 14, 8)	410-00-613	Call	410-00-713	Call	410-00-813	Call	410-00-913	Call
NS	Cerelt Gasket	146-14-018	Call	146-14-018	Call	146-14-018	Call	146-14-018	Call
21	Vent Damper	240006939	75Y14	240006939	75Y14	240006939	75Y14	240006939	75Y14
NS	Base Assembly (4,5,6)	433-00-666	Call	433-00-667	Call	433-00-668	Call	433-00-669	Call

## Repair Parts for GWB8-E/S, CPWB, CWB and CPVWB Series Natural Gas Burner and Manifold Parts 037 - 140

- Quantity required is 1 unless otherwise indicated

\* Requires 1 less than the number of sections



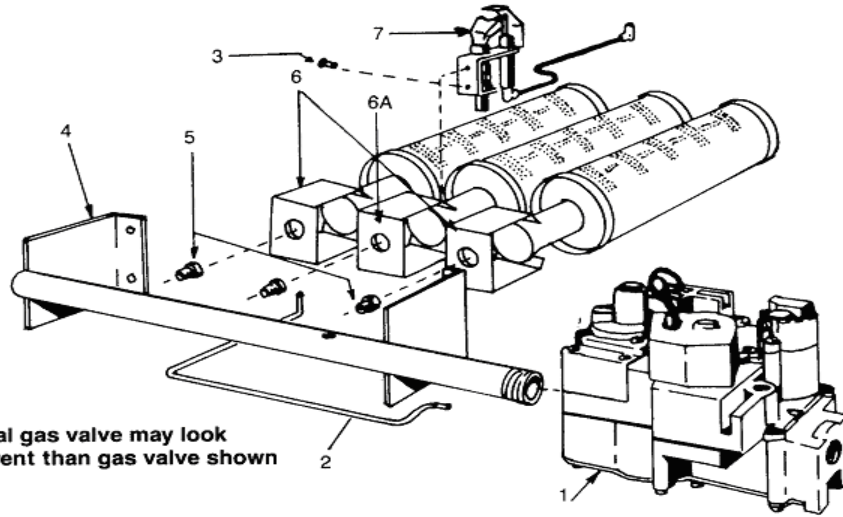
**NOTE: Actual gas valve may look different than gas valve shown**

KEY No.	Description	NATURAL GAS							
		2 SECTION		3 SECTION		4 SECTION		5 SECTION	
		GWB8-037 E/S		GWB8-070 E/S		GWB8-105 E/S		GWB8-140 E/S	
	Part No.	Lennox Cat #	Part No.	Lennox Cat #	Part No.	Lennox Cat #	Part No.	Lennox Cat #	
<b>Common Parts For Standing Pilot And Electronic Ignition</b>									
2	Pilot Tube (1/8" dia.)	146-15-005	Call	146-15-005	Call	146-15-005	Call	146-15-005	Call
2	Pilot Tubing Kit C/W Fittings	433-00-201	Call	433-00-201	Call	433-00-201	Call	433-00-201	Call
3	10-321/2 Hex Head Screw	146-95-307	Call	146-95-307	Call	146-95-307	Call	146-95-307	Call
4	Gas Manifold	146-16-032	Call	146-16-033	Call	146-16-034	Call	146-16-035	Call
5	Main Burner Orifice #34*	146-15-031	Call	146-15-031	Call	146-15-031	Call	146-15-031	Call
5	Main Burner Orifice #36 *	146-15-041	Call	146-15-041	Call	146-15-041	Call	146-15-041	Call
(Serial number range for #36 Orifaces are 320100007 to 520100299 & 010200098 to 090200182. For units within this range, if modification sticker is not present and orifaces are #34 contact Resource / Technical support)									
6	Main Burner **	---	Call	146-15-532	99X96	146-15-532	99X96	146-62-052	74P70
6A	Main Burner with Pilot Bracket	146-15-531	X1849	146-15-531	X1849	146-15-531	X1849	146-62-092	70N68
NS	Rollout Shield	425-00-932	Call	425-00-933	Call	425-00-934	Call	146-62-074	Call
<b>Parts For Electronic Ignition Only (GWB8- E / CPWB / CWB)</b>									
1	24 Volt Gas Valve, Elect. Int. Ign	146-62-052	74P70	146-62-052	74P70	146-62-052	74P70	146-62-060	75P29
7	Pilot Burner	146-62-095	Call	146-62-092	70N68	146-62-092	70N68	146-95-307	Call
NS	Ignition Cable	146-62-074	Call	146-62-074	Call	146-62-074	Call	146-62-053	Call
<b>Parts For Standing Pilot Only (GWB8- S / CPVWB)</b>									
1	24 Volt Gas Valve, Continuous Pilot	146-62-051	Call	146-62-051	Call	146-62-051	Call	146-62-051	Call
7	Pilot Burner	146-62-098	Call	146-62-053	Call	146-62-053	Call	146-62-053	Call
NS	Thermocouple	1520001	10P27	1520001	10P27	146-62-039	10P29	146-62-039	10P29

## Repair Parts for GWB8-E/S, CPWB, CWB and CPVWB Series Natural Gas Burner and Manifold Parts 175 - 280

- Quantity required is 1 unless otherwise indicated

\* Requires 1 less than the number of sections



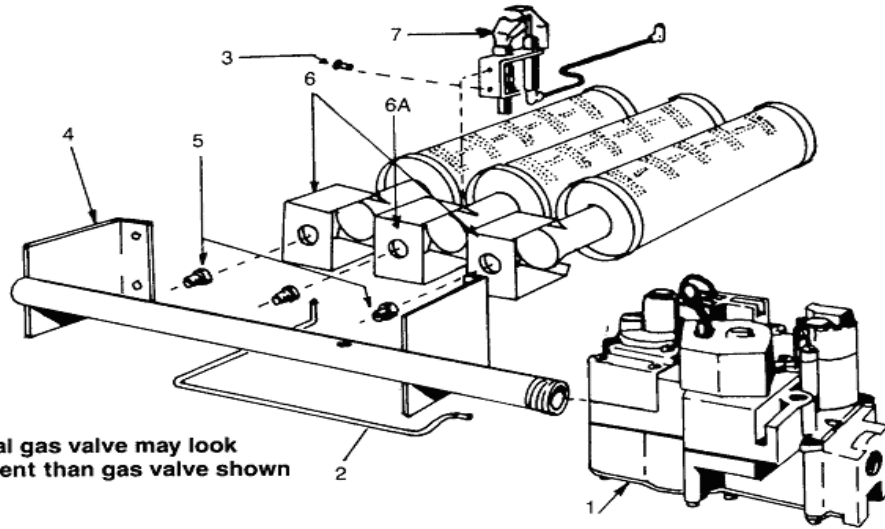
**NOTE: Actual gas valve may look different than gas valve shown**

KEY No.	Description	NATURAL GAS								
		6 SECTION		7SECTION		8 SECTION		9 SECTION		
		GWB8-175 E/S		GWB8-210 E/S		GWB8-245 E/S		GWB8-280 E/S		
		Part No.	Lennox Cat #	Part No.	Lennox Cat #	Part No.	Lennox Cat #	Part No.	Lennox Cat #	
<b>Common Parts For Standing Pilot And Electronic Ignition</b>										
2	Pilot Tube (1/8" dia.)	146-15-005	Call	146-15-005	Call	146-15-006	Call	146-15-006	Call	
2	Pilot Tubing Kit C/W Fittings	433-00-201	Call	433-00-201	Call	433-00-200	Call	433-00-200	Call	
3	10-321/2 Hex Head Screw	146-95-307	Call	146-95-307	Call	146-95-307	Call	146-95-307	Call	
4	Gas Manifold	146-16-013	Call	146-16-014	Call	146-16-015	Call	146-16-016	Call	
5	Main Burner Orifice *	146-15-035	Call	146-15-035	Call	146-15-035	Call	146-15-035	Call	
5	Main Burner Orifice #36 *	146-15-042	Call	146-15-042	Call	146-15-042	Call	146-15-042	Call	
(Serial number range for #36 Orifaces are 320100007 to 520100299 & 010200098 to 090200182. For units within this range, if modification sticker is not present and orifaces are #34 contact Resource / Technical support)										
6	Main Burner **	146-15-532	99X96	146-15-532	99X96	146-15-532	99X96	146-15-532	99X96	
6A	Main Burner with Pilot Bracket	146-15-531	X1849	146-15-531	X1849	146-15-531	X1849	146-15-531	X1849	
NS	Rollout Shield	425-00-936	Call	425-00-936	Call	425-00-936	Call	425-00-936	Call	
<b>Parts For Electronic Ignition Only (GWB8- E / CPWB / CWB)</b>										
1	24 Volt Gas Valve, Elect. Int. Ign	146-62-058	74P71	146-62-058	74P71	146-62-058	74P71	146-62-058	74P71	
7	Pilot Burner	146-62-092	70N68	146-62-092	70N68	146-62-092	70N68	146-62-092	70N68	
NS	Ignition Cable (Comes with Pilot Burner)	--		--		--		--		
<b>Parts For Standing Pilot Only (GWB8- S / CPVWB)</b>										
1	24 Volt Gas Valve, Continuous Pilot	146-62-060	75P29	146-62-060	75P29	146-62-060	75P29	146-62-060	75P29	
7	Pilot Burner	146-62-053	Call	146-62-053	Call	146-62-053	Call	146-62-053	Call	
NS	Thermocouple	146-62-039	10P29	146-62-039	10P29	146-62-039	10P29	146-62-039	10P29	

## Repair Parts for GWB8-E/S, CPWB, CWB and CPVWB Series Propane Burner and Manifold Parts 037 - 140

- Quantity required is 1 unless otherwise indicated

\* Requires 1 less than the number of sections



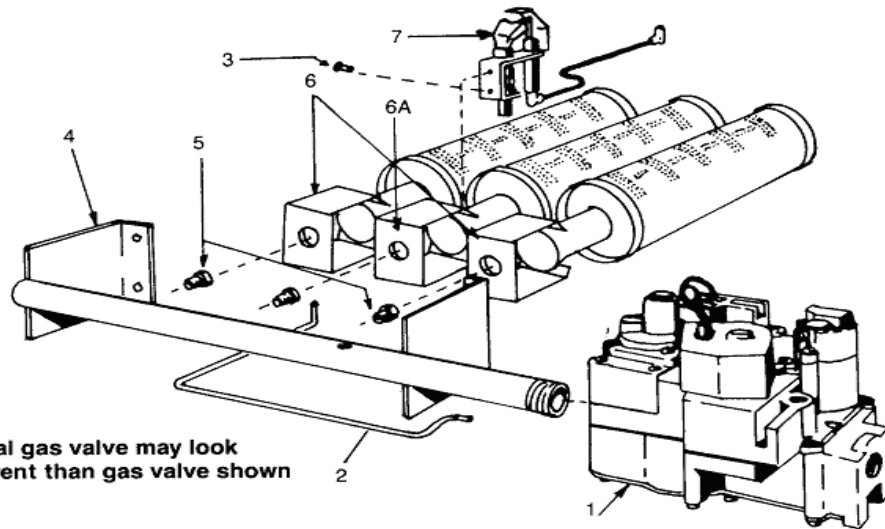
KEY No.	Description	PROPANE								
		2 SECTION		3 SECTION		4 SECTION		5 SECTION		
		GWB8-037 E/S		GWB8-070 E/S		GWB8-105 E/S		GWB8-140 E/S		
		Part No.	Lennox Cat #	Part No.	Lennox Cat #	Part No.	Lennox Cat #	Part No.	Lennox Cat #	
<b>Common Parts For Standing Pilot And Electronic Ignition</b>										
2	Pilot Tube (1/8" dia.)	146-15-005	Call	146-15-005	Call	146-15-005	Call	146-15-005	Call	
2	Pilot Tubing Kit C/W Fittings	433-00-201	Call	433-00-201	Call	433-00-201	Call	433-00-201	Call	
3	10-32 1/2 Hex Head Screw	146-95-301	Call	146-95-301	Call	146-95-301	Call	146-95-301	Call	
4	Gas Manifold	146-16-009	Call	146-16-010	Call	146-16-011	Call	146-16-012	Call	
5	Main Burner Orifice *	146-15-036	Call	146-15-036	Call	146-15-036	Call	146-15-036	Call	
5	Main Burner Orifice #52 *	146-15-043	Call	146-15-043	Call	146-15-043	Call	146-15-043	Call	
(Serial number range for #52 Orifices are 320100007 to 520100299 & 010200098 to 090200182. For units within this range, if modification sticker is not present and orifices are #51 contact Resource / Technical support)										
6	Main Burner **	- - -	Call	146-15-532	99X96	146-15-532	99X96	146-15-532	99X96	
6A	Main Burner with Pilot Bracket	146-15-531	X1849	146-15-531	X1849	146-15-531	X1849	146-15-531	X1849	
NS	Rollout Shield	425-00-932	Call	425-00-933	Call	425-00-934	Call	425-00-935	Call	
<b>Parts For Electronic Ignition Only (GWB8- E / CPWB / CWB)</b>										
1	24 Volt Gas Valve, Elect. Int. Ign	146-62-052	74P70	146-62-052	74P70	146-62-052	74P70	146-62-060	75P29	
7	Pilot Burner	146-62-095	Call	146-62-092	70N68	146-62-092	70N68	146-95-307	Call	
NS	Ignition Cable	146-62-074	Call	146-62-074	Call	146-62-074	Call	146-62-053	Call	
<b>Parts For Electronic Ignition Only (GWB8- E / CPWB / CWB)</b>										
1	24 Volt Gas Valve, Continuous Pilot	146-62-051	Call	146-62-051	Call	146-62-051	Call	146-62-051	Call	
7	Pilot Burner	146-62-098	Call	146-62-053	Call	146-62-053	Call	146-62-053	Call	
NS	Thermocouple	1520001	10P27	1520001	10P27	146-62-039	10P29	146-62-039	10P29	



## Repair Parts for GWB8-E/S, CPWB, CWB and CPVWB Series Propane and Manifold Parts 175 - 280

- Quantity required is 1 unless otherwise indicated

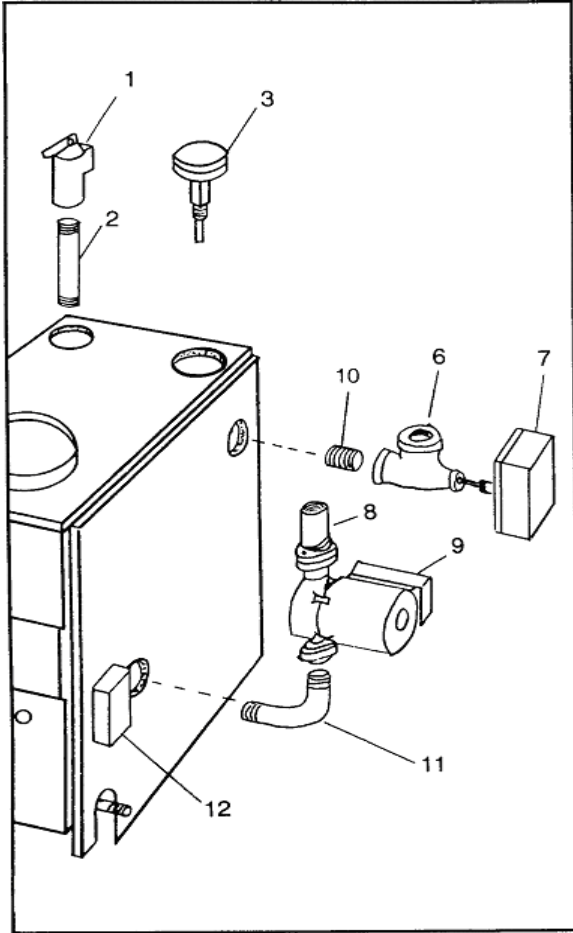
\* Requires 1 less than the number of sections



**NOTE: Actual gas valve may look different than gas valve shown**

KEY No.	Description	PROPANE								
		6 SECTION		7SECTION		8 SECTION		9 SECTION		
		GWB8-175 E/S		GWB8-210 E/S		GWB8-245 E/S		GWB8-280 E/S		
		Part No.	Lennox Cat #	Part No.	Lennox Cat #	Part No.	Lennox Cat #	Part No.	Lennox Cat #	
<b>Common Parts For Standing Pilot And Electronic Ignition</b>										
2	Pilot Tube (1/8" dia.)	146-15-005	Call	146-15-005	Call	146-15-006	Call	146-15-006	Call	
2	Pilot Tubing Kit C/W Fittings	433-00-201	Call	433-00-201	Call	433-00-200	Call	433-00-200	Call	
3	10-32 1/2 Hex Head Screw	146-95-301	Call	146-95-301	Call	146-95-301	Call	146-95-301	Call	
4	Gas Manifold	146-16-013	Call	146-16-014	Call	146-16-015	Call	146-16-016	Call	
5	Main Burner Orifice *	146-15-036	Call	146-15-036	Call	146-15-036	Call	146-15-036	Call	
5	Main Burner Orifice #52 *	146-15-043	Call	146-15-043	Call	146-15-043	Call	146-15-043	Call	
(Serial number range for #36 Orifaces are 320100007 to 520100299 & 010200098 to 090200182. For units within this range, if modification sticker is not present and orifaces are #34 contact Resource / Technical support)										
6	Main Burner **	146-15-532	99X96	146-15-532	99X96	146-15-532	99X96	146-15-532	99X96	
6A	Main Burner with Pilot Bracket	146-15-531	X1849	146-15-531	X1849	146-15-531	X1849	146-15-531	X1849	
NS	Rollout Shield	425-00-936	Call	425-00-937	Call	425-00-938	Call	425-00-939	Call	
<b>Parts For Electronic Ignition Only (GWB8- E / CPWB / CWB)</b>										
1	24 Volt Gas Valve, Electronic Ignition	146-62-059	74P97	146-62-059	74P97	146-62-059	74P97	146-62-059	74P97	
7	Pilot Burner	146-62-094	71N72	146-62-094	71N72	146-62-094	71N72	146-62-094	71N72	
NS	Ignition Cable (Comes with Pilot Burner)	--		--		--		--		
<b>Parts For Standing Pilot Only (GWB8- S / CPVWB)</b>										
1	24 Volt Gas Valve, Continuous Pilot	146-62-061	Call	146-62-061	Call	146-62-061	Call	146-62-061	Call	
7	Pilot Burner	146-62-096	Call	146-62-096	Call	146-62-096	Call	146-62-096	Call	
NS	Thermocouple	146-62-039	10P29	146-62-039	10P29	146-62-036	10P28	146-62-036	10P28	

## Repair Parts for GWB8-E/S, CPWB, CWB and CPWB Series Oil Boiler Controls



KEY No.	Description	Part No.	Lennox Cat #
1	3/4" ASME Relief Valve	146-22-011	95P51
2	3/4" x 7 1/2" Nipple	146-07-041	Call
3	Temp. /Pressure Gauge - 5" Stem	240005246	45N04
6	1/4" X 3/4" x 1/4" Tee	146-93-049	Call
7	Aquastat Relay	1010002	Call
NS	Isolation Valve Set - Generic	433-00-042	Call
8	Isolation Valve Set - Dunkirk	433-00-043	X1202
NS	Cast Iron Flange Set - Grundfos	146-26-050	Call
NS	Cast Iron Flange Set - Taco	146-26-049	Call
NS	Grundfos UP15-42F Circulator	CI-006.01	Call
NS	Taco 0010-HF3-C Circulating Pu	m 1402017	Call
9	Taco 007 Circulator	CI-001.03	74P49
10	1/4" x 2 1/2" Nipple	146-07-044	Call
11	1/4" Bent Return Nipple	146-07-003	Call
12	Intermittent Pilot Control - (HN S8600M or UTC 1003-620)	14662070	92X30
NS	Spill Switch (36TX16-6281) 340°	146-60-001	Call
NS	Rollout Switch	146-29-002	Call
NS	4" Vent Damper (with 3" Adapter)	1182004	Call
NS	5" Vent Damper (3 Section)	1182005	Call
NS	6" Vent Damper (4 - 5 Section)	1182006	Call
NS	7" Vent Damper (6 - 9 Section)	1182007	Call
NS	Vent Damper Operator (Motor)	240005933	75P12
NS	Adhesive Sealant (10.3 oz. Cartridge)	146-06-020	Call
<b>Wiring Harnesses</b>			
NS	* Limit to IGN Control Harness	433-00-902	Call
NS	* Natural Gas Valve	433-00-942	Call
NS	Spill Switch to Fuse Link	433-00-946	Call
NS	Control to Vent Damper	146-34-501	Call
NS	Aqastat to Circulator	37519501	Call

\*Electronic Ignition Only

### Dunkirk Serial Number Format:

2 9 9 3 0 0 8 7 9

Week
Year
Series