



# PARTS AND OPTIONAL ACCESSORIES

## Q90

*High-efficiency, gas-fired water boiler*

---

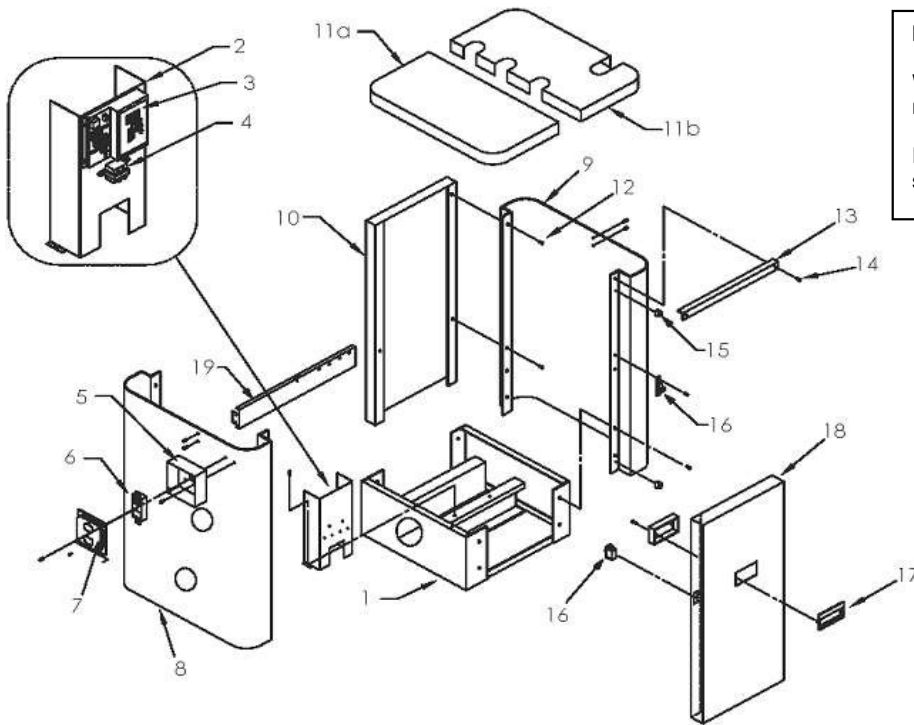


Q90-150-200  
(NOT for GWB9 50-100)

---

## Repair Parts for Q90-150-200 (NOT for GWB9 50-100)

### Jacket Section and Base Parts


**Notes:**

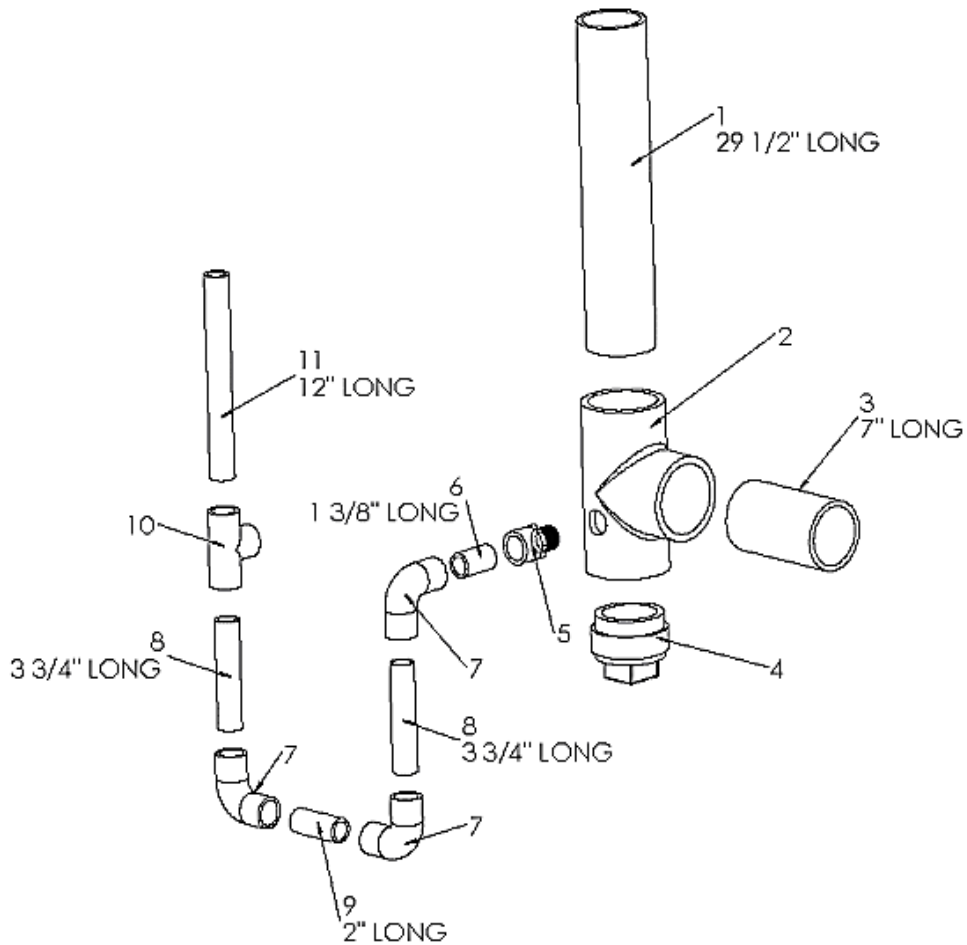
When ordering parts, supply model number, part number required and description.

Dunkirk part numbers shown in SAP may be superseded by Dunkirk numbers listed here. You can

Key #	Description	Part No.	Lennox CAT #	Qty
1	Base Replacement Kit (125-200)	43800018	Call	1
2	Control Panel	650001028	Call	1
3	Control Integrated	14662803	32X49	1
4	40 VA Transformer Replacement Kit	550001339	74N42	1
5	4" x 4" x 2 1/8" J-Box	14631316	Call	1
6	Switch, P & S	14631319	Call	1
7	J-Box Plate Cover	14631318	Call	1
*	Jacket Panel, Left Side Replacement Kit, Quartz Gray	2272152	Call	1
*	Jacket Panel, Right Side Replacement Kit, Quartz Gray	2272151	Call	1
10	Jacket Panel, Back (Quartz Gray)	750001031	Call	1
11a	Jacket Panel, Top Left (Quartz Gray)	2370003	Call	1
11b	Jacket Panel, Top Right (Quartz Gray)	2370004	Call	1
12	Screw #10 x 1/2" ZP	14695074	Call	14
13	Jacket Tie Bar	750001034	Call	1
14	Screw #10 x 1/2"	14695060	Call	12
15	Tap Bumper	1225013	Call	4
16	Latch and Clip Kit	1225012	Call	1
17	Door Pull	14631095	Call	1
18	Jacket Service Door Replacement Kit	2272150	Call	1
19	Pressure Switch Mounting Plate	2485001	Call	1
*	LWCO Harness	1263010	Call	1
*	Wire Harness	1263020	Call	1
*	2 1/2" Plug	14631174	Call	1
*	Jacket, Complete Replacement Kit, Quartz Gray	2272164	Call	1

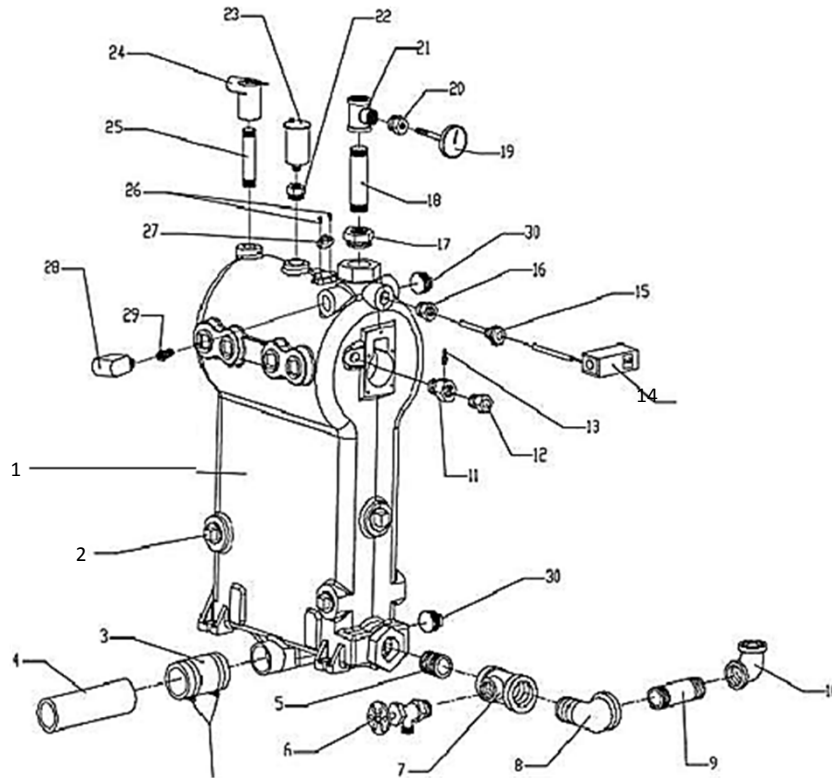
## Repair Parts for Q90-150-200 (NOT for GWB9 50-100)

### Exhaust Tee Assembly



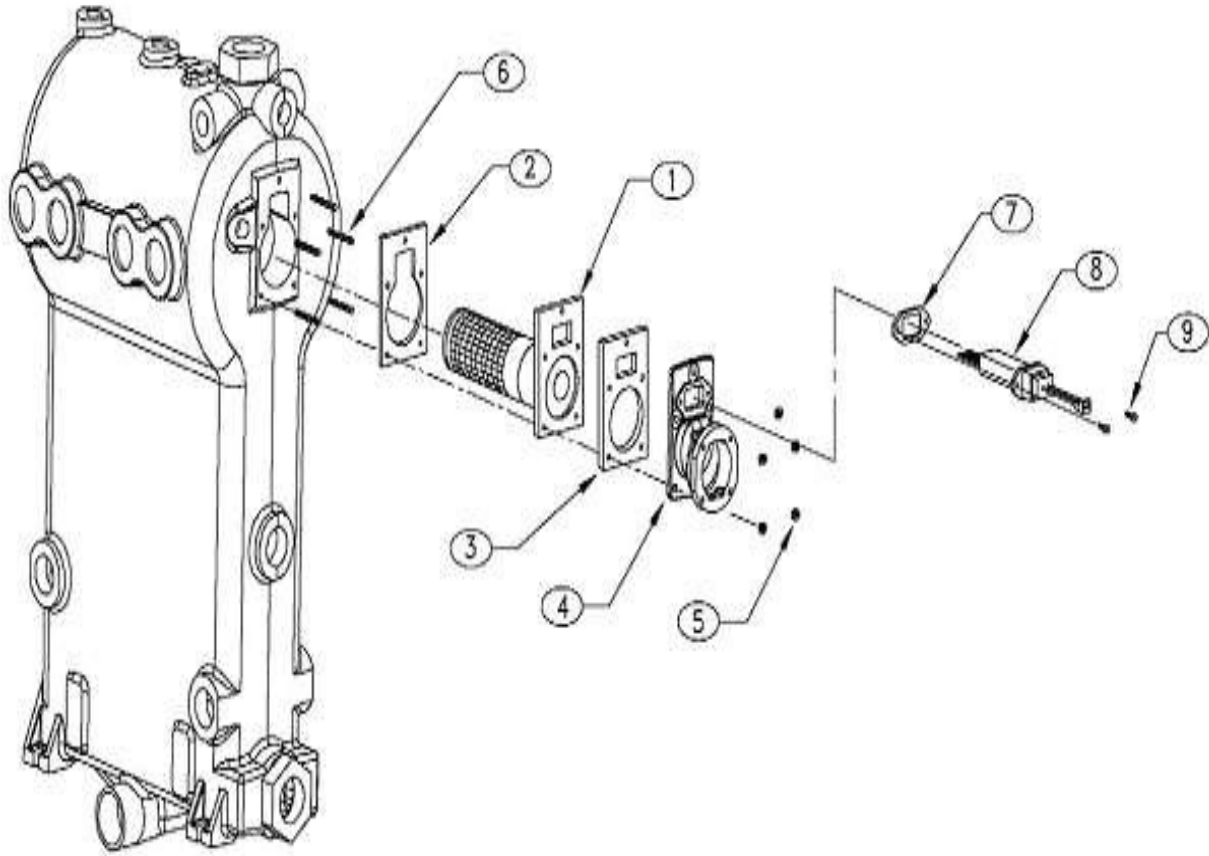
Key #	Description	Part No.	Lennox CAT #	Qty
1	Vent Pipe 2" CPVC SCH-40 x 29½" Long	1400008	Call	1
2	Tee 2" CPVC SCH-80	14631305	Call	1
3	Vent Pipe 2" CPVC SCH-40 x 7" Long	1400008	Call	1
4	Cleanout, PVC, 2"	240005852	Call	1
5	PVC Fitting ½" NPT Male x ½" Slip Female	1001002	Call	1
6	Pipe ½" PVC SCH-40 x 1⅜"	1400014	Call	1
7	Elbow ½" x 90° PVC SCH-40	1190005	Call	3
8	Pipe ½" PVC SCH-40 x 3¾"	1400014	Call	2
9	Pipe ½" PVC SCH-40 x 2"	1400014	Call	1
10	Tee ½" x ½" x ½" PVC SCH-40	1510012	Call	1
11	Pipe ½" PVC SCH-40 x 12"	1400014	Call	1
*	3" Concentric Vent Kit	29571	Call	1

## Repair Parts for Q90-150-200 (NOT for GWB9 50-100) Block and Piping Assembly



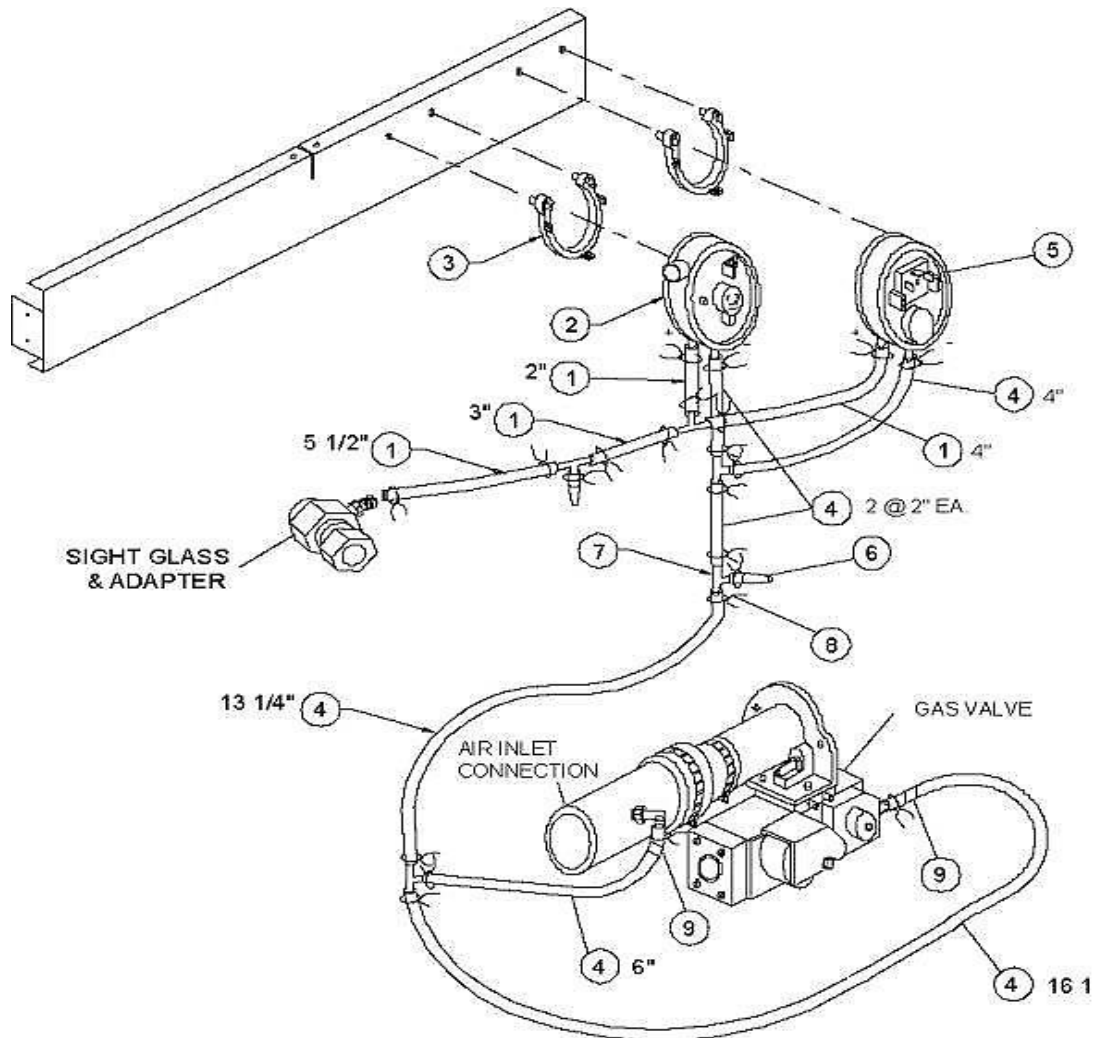
Key #	Description	Part No.	Lennox CAT #	Qty
1	Block Replacement Kit	2272160	Y0799	1
2	1 1/4" Cast Iron Square Head Plug	1395002	Call	16
3	Hose 3" Long x 2 3/8" ID x 2 3/4" OD	14631301	Call	1
4	Vent Pipe 2" CPVC SCH-40 x 7" Long	1400008	Call	1
5	Nipple, Black 1 1/2" Close	1310015	Call	1
6	Valve BLR DR 3/4"	14622000	Call	1
7	Reducing Tee 1 1/2" x 1 1/4" x 3/4"	1510010	Call	1
8	1 1/4" Street Elbow Blk. 90°	1190004	Call	1
9	Nipple, Std. Blk. 1 1/4" x 4 1/2"	1310002	Call	1
10	Elbow 1 1/4" x 90°	1190002	Call	1
11	Sight Glass Adapter	14631004	Call	1
12	Observation Port 3/4"	14619002	Call	1
13	Fitting, Brass 1/8" NPT x 3/16" Straight Barb	1230010	Call	1
14	Aquastat	14631324	74N46	1
15	Well Control 1/2"	14662804	Call	1
16	3/4" x 1/2" Std. Black Bushing	14693004	Call	1
17	1 1/2" x 1 1/4" Std. Black Bushing	14693204	Call	1
18	1 1/4" x 7" NPT Std. Black Pipe Nipple	PF06501	Call	1
19	Temp/Pressure Gauge, 2" Shank	1260006SP	Y5392	1
20	3/4" x 1/4" Std. Black Iron Bushing	1060002	Call	1
21	1 1/4" x 1 1/4" x 3/4" Std. Black Tee	PF05901	Call	1
22	3/4" x 1/8" Black Bushing	14693001	Call	1
23	Air Purge Vent w/Check Valve	1580006	Call	1
24	3/4" Relief Valve	14622011	95P51	1
25	3/4" x 6 1/2" Std. Black Nipple	14607002	Call	1
26	Screw Soc HD Cap 8-32 x 3/16"	14695802	Call	2
27	Casting Temperature Switch	1500005	Call	1
28	LWCO Replacement Kit	2272137	Call	1
29	1" x 3/4" Black Bushing	14693005	Call	1
30	1" Cast Iron Square Head Solid Plug	1395004	Call	2
31	Clamp, Stainless Steel #44	14631302	Call	2

## Repair Parts for Q90-150-200 (NOT for GWB9 50-100) Burner Assembly



Key #	Description	Part No.	Lennox CAT #	Qty
1	Burner Replacement Kit	2272149	X8895	1
2	Burner/Casting Gasket	1250009	Call	1
3	Burner/Flue Adapter Gasket	1250008	Call	1
4	Flue Adapter	12101022	Call	1
5	Hex Nut w/Serrated Washer 1/4"-20	14695810	Call	5
6	Threaded Stud 1/4"-20 x 1 1/2"	1450011	Call	5
**	Hot Surface Igniter Replacement Kit (includes Items 7-9 (below))	2272133	Call	1
7	Igniter/Mixer Gasket	1250010	Y5639	1
8	Hot Surface Igniter	1264005	Call	1
9	Screw 10-32 x 3/8"	14695809	Call	2

## Repair Parts for Q90-150-200 (NOT for GWB9 50-100) Mixer and Air Pressure Switch Assembly



Key #	Description	Part No.	Lennox CAT #	Qty
1	Silicone Tubing, 3/16" I.D.	14629003	Call	Varies
2	Air Pressure Switch, 3½" W.C.	1401004	Call	1
3	Air Pressure Switch Clip	1401002	Call	2
4	Orange Silicone Tubing, 3/16" I.D.	1552004	Call	Varies
5	Air Pressure Switch, ½" W.C.	1401003	Call	1
6	3/16" Black Vinyl Cap	1230006	Y5389	2
7	Plastic Barbed Hose Tee, 3/16" I.D.	1510009	Call	5
8	Rotor Clamp	1110001	Y5390	22
9	Pilot Orifice, BBR10	PB-002.02	Call	2





## Repair Parts for Q90-150-200 (NOT for GWB9 50-100) Conversion Kits

### CONVERSION KITS - NAT TO LP FOR 125-200MBH

Size - Dunkirk #	Item#	Description
125 - 1272033	PK-023.01 1350018 14680004 1265030 1225016 1275090	PLASTIC BAG 3X6X18 ORIFICE LPMODEL-125 BTU3.9MM LABEL PROPANE LITCONV MODEL-125/200 KEY, TORX L-SHAPET20 LABELPROPANE GAS ONLY DATA PLATE
150 - 1272034	PK-023.01 1350019 14680004 1265030 1225016 1275090	PLASTIC BAG 3X6X18 ORIFICE LPMODEL-150 BTU4.2MM LABEL PROPANE LITCONV MODEL-125/200 KEY, TORX L-SHAPET20 LABELPROPANE GAS ONLY DATA PLATE ONLY DATA PLATE
175 - 1272035	PK-023.01 1350020 14680004 1265030 1225016 1275090	PLASTIC BAG 3X6X18 ORIFICE LP MODEL-175 175BTU 5.2MM LABEL PROPANE LITCONV MODEL-125/200 KEY, TORX L-SHAPET20 LABELPROPANE GAS ONLY DATA PLATE
200 - 1272036	PK-023.01 1350021 14680004 1265030 1225016 1275090	PLASTIC BAG 3X6X18 ORIFICE LPMODEL-200 BTU6.0MM LABEL PROPANE LITCONV MODEL-125/200 KEY, TORX L-SHAPET20 LABELPROPANE GAS ONLY DATA PLATE ONLY DATA PLATE

### CONVERSION KIT - LP TO NAT FOR 125-200MBH

Size - Dunkirk #	Item#	Description
125-200 - 1272037	PK-023.01 1265030 1225016 1275091	PLASTIC BAG 3X6X18 LIT CONV MODEL-125/200 KEY, TORX L-SHAPE T20 LABEL-NATURAL GAS CONV

### CIRCULATOR PUMPS (OPTIONAL)

Item #	Description
CI-001.01	CirculatorPumpw/Flange, B&G
CI-001.03	CirculatorPumpw/Flange, Taco
CI-006.01	Circulator Pump w/Flange, Grundfos
14626043	Ball Valve, 1/4" Set (Male & Female)