



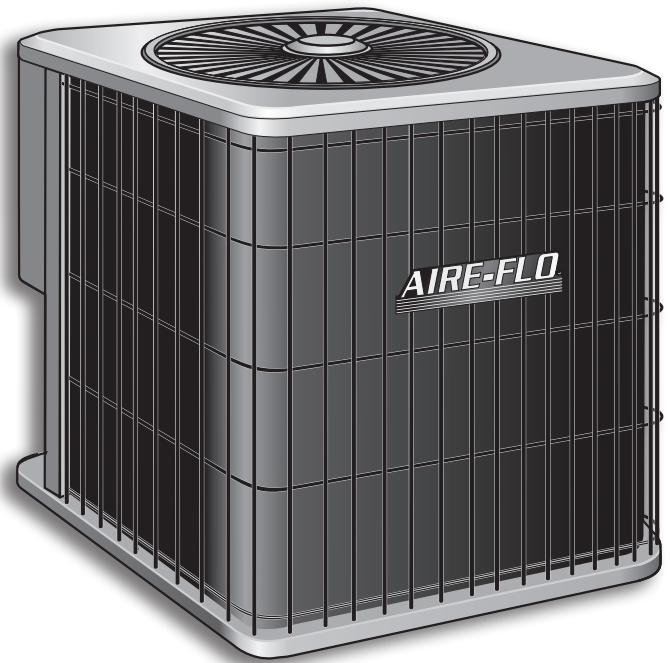
# Air Conditioners 13ACD

## PRODUCT SPECIFICATIONS

- Nitrogen charged for replacement of R-22 components only
- High-quality condenser coil with copper tubing and enhanced louvered fins for maximum heat transfer capacity
- Top discharge directs hot air away from living area and shrubbery
- All units factory run tested
- Available with wire guard coil protection
- Easy access to electrical panels, pre-wired for easy hook-up
- Corner mounted service valves for easy hook-up and service
- Bi-directional liquid line filter drier furnished for field installation
- All units UL and ULC approved

## NITROGEN CHARGED

**13 SEER**  
**1.5 to 5 Tons**



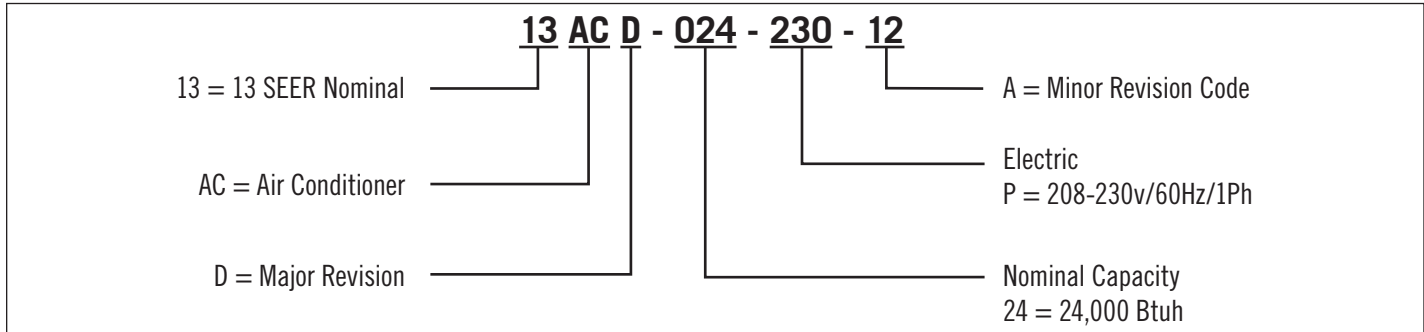
### Warranty

Compressor - 5 Year Limited  
Parts - 5 Year Limited

# Air Conditioners

## 13ACD

### Model Number Identification



### Electrical Data / Specifications

Model No.	13ACD-018	13ACD-024	13ACD-030	13ACD-036	13ACD-042	13ACD-048	13ACD-060
Rated Voltage (Volts)	208-230	208-230	208-230	208-230	208-230	208-230	208-230
Phase	1	1	1	1	1	1	1
Frequency (Hz.)	60	60	60	60	60	60	60
Voltage Range	197-253	197-253	197-253	197-253	197-253	197-253	197-253
Maximum Overcurrent Protection	15	20	30	35	40	40	60
Minimum Circuit Ampacity	10.4	13.7	18.8	19.1	25.7	25.7	33.3
Compressor - Rated Load Amps	7.7	10.4	14.1	14.4	19.2	19.2	26.1
Compressor - Locked Rotor Amps	40	54	67	77	104	97	141
Fan Motor - Rated Load Amps	0.7	0.7	1.1	1.1	1.7	1.7	1.7
Fan Motor - HP	1/10	1/10	1/5	1/5	1/4	1/4	1/4
Fan Motor - Nominal RPM	1075	1075	1075	1075	825	825	825
*Field Supplied R-22 Refrigerant Charge (oz.)	61	67	77	92	102	120	160
Indoor Expansion Device Size (Piston)	0.055	0.062	0.067	0.076	0.08	0.089	0.099
Liquid Line Set	3/8	3/8	3/8	3/8	3/8	3/8	3/8
Vapor Line Set	3/4	3/4	3/4	7/8	7/8	7/8	**1-1/8
Weight (lbs)	117	118	136	136	165	184	206

\*Units are factory shipped with dry nitrogen holding charge.

\*\*Suction valve size is 7/8"; field supplied 7/8" to 1-1/8" adapter required. Use of 7/8" vapor line reduces performance.

# Air Conditioners

## 13ACD

### Accessories

Model No.	13ACD-018	13ACD-024	13ACD-030	13ACD-036	13ACD-042	13ACD-048	13ACD-060
Compressor Short Cycle Protection	47J27	47J27	47J27	47J27	47J27	47J27	47J27
Compressor Low Ambient Cut-Off	45F08	45F08	45F08	45F08	45F08	45F08	45F08
Compressor Sound Cover	69J03	69J03	69J03	69J03	69J03	69J03	69J03
Crankcase Heater	93M04	93M04	93M04	93M04	93M05	93M05	93M05
Freezestat - 3/8"	93G35	93G35	93G35	93G35	93G35	93G35	93G35
Freezestat - 5/8"	50A93	50A93	50A93	50A93	50A93	50A93	50A93
Hard Start Kit	10J42	10J42	10J42	10J42	10J42	10J42	81J69
High Pressure Switch	94J46	94J46	94J46	94J46	94J46	94J46	94J46
Loss of Charge Kit	84M23	84M23	84M23	84M23	84M23	84M23	84M23
Low Ambient Kit	24H77	24H77	24H77	24H77	24H77	24H77	24H77
Time Delay Kit	58M81	58M81	58M81	58M81	58M81	58M81	58M81

### Sound Ratings

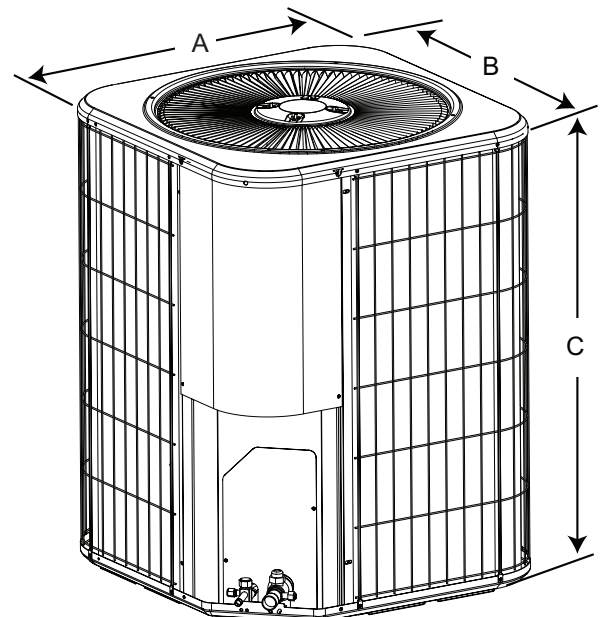
Model No.	Sound Rating dBA
13ACD-018	76
13ACD-024	76
13ACD-030	76
13ACD-036	76
13ACD-042	79
13ACD-048	79
13ACD-060	79

### Dimensions

Model No.	13ACD-018	13ACD-024	13ACD-030	13ACD-036
Cabinet Width (A) in	24-1/2"	24-1/2"	24-1/2"	24-1/2"
Cabinet Depth (B) in	24-1/2"	24-1/2"	24-1/2"	24-1/2"
Height (C) in	25-1/2"	25-1/2"	33-1/2"	33-1/2"

Model No.	13ACD-042	13ACD-048	13ACD-060
Cabinet Width (A) in	28-1/2"	28-1/2"	28-1/2"
Cabinet Depth (B) in	28-1/2"	28-1/2"	28-1/2"
Height (C) in	29-1/2"	37-1/2"	33-1/2"



# Air Conditioners

## 13ACD

### Revisions

Sections	Description of Change
Features	Filter/Drier now shipped with unit for field installation.



1.800.982.2333  
[www.aireflo-hvac.com](http://www.aireflo-hvac.com)

