



PRODUCT SPECIFICATIONS

Bulletin No. 210634
October 2012
Supersedes June 2012



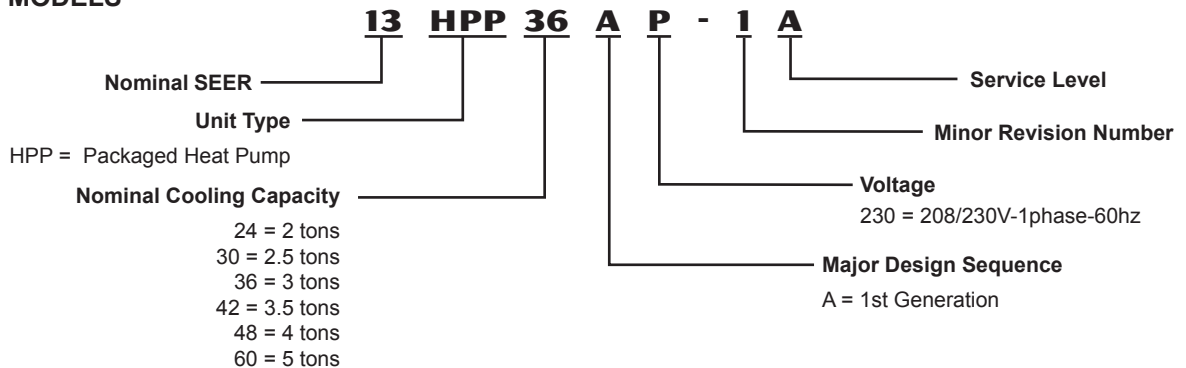
(13HPP Shown)

SEER - 13.00
2 to 5 Tons

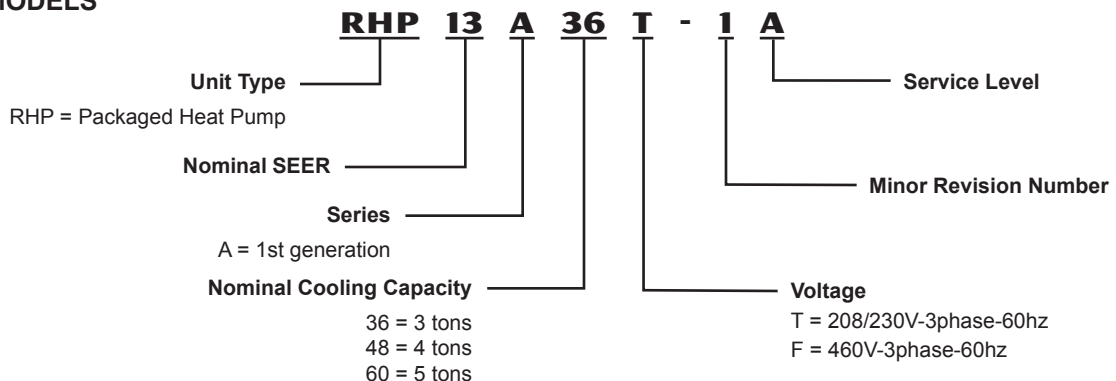
Cooling Capacity - 23,000 to 56,000 Btuh
Heating Capacity - 21,600 to 54,000 Btuh
Optional Electric Heat - 5 to 20 kW

MODEL NUMBER IDENTIFICATION

1-PHASE MODELS



3-PHASE MODELS



FEATURES

CONTENTS

| | |
|---------------------------------------|----|
| Accessories Dimensions..... | 12 |
| Blower Data | 9 |
| Cooling Ratings | 8 |
| Dimensions | 11 |
| Electrical Data - 1-Phase..... | 4 |
| Electrical Data - 3-Phase..... | 5 |
| Electric Heat Data..... | 7 |
| Features..... | 2 |
| Heating Ratings | 8 |
| Installation Clearances | 3 |
| Model Number Identification..... | 1 |
| Options / Accessories | 6 |
| Specifications - 1-Phase Models | 4 |
| Specifications - 3-Phase Models | 5 |

WARRANTY

(NOTE - Warranty below for 13HPP models refers to non-residential applications)

Compressor - five year limited warranty.

All other covered components - one year.

APPROVALS

AHRI Certified to AHRI Standard 210/240-2008.

ETL listed.

Units are Certified by AHRI.

Packaged unit and components within bonded for grounding to meet safety standards required by ETL.

Optional electric heaters are UL listed for the U.S. and Canada and are rated and tested according to DOE test procedures and FTC labeling regulations.

Each unit test operated at the factory before shipment ensuring dependable operation at start-up.

APPLICATIONS

Designed for outdoor installations at ground level or rooftop applications.

SUPPLY AIR BLOWER

Direct Drive Blower

Each blower assembly statically and dynamically balanced.

Multi-speed, direct drive blower motor.

Change in blower speed is easily accomplished by simple wiring change on blower motor.

Blower assembly easily removed for servicing.

See Blower Performance tables.

REFRIGERATION SYSTEM

R-410A Refrigerant

Non-chlorine, ozone friendly, R-410A.

Unit pre-charged with refrigerant.

See Specification table.



Indoor and Outdoor Coils

Copper tube with aluminum fin coils.

Indoor Coil Drain Pan

Corrosion resistant plastic drain pan.

Outdoor Coil Fan

Weather protected heavy duty outdoor coil fan motor with coated steel fan blades for long life.

Internally mounted.

Totally enclosed motor.

Fan guard constructed of corrosion-resistant coated steel.

Reversing Valve

4-way interchange reversing valve effects a rapid change in direction of refrigerant flow resulting in quick changeover from cooling to heating and vice versa.

High Pressure Switch

Shuts off unit if abnormal operating conditions cause the discharge pressure to rise above setting.

Protects compressor from excessive condensing pressure. Automatic reset.

CONTROLS

Electronic blower control.

Single pole contactor (13HPP models).

3-Pole Double-Break Contactor (RHP13 models).

Trade available components.

Defrost Control

Defrost control furnished as standard equipment.

Gives a defrost cycle for every 30, 60, or 90 minutes (adjustable) of compressor "on" time at outdoor temperatures below 35°F.

Field-selectable, "quiet shift" setting reduces compressor noise during the defrost cycle.

Sensor mounted on liquid line determines when defrost cycle is required and also when to terminate cycle.

Anti-short cycle, timed-off control incorporated into the board.

24 Volt Transformer

40VA transformer furnished and factory installed in control area.

OPTIONS / ACCESSORIES

Thermostat

See Thermostat bulletins in Controls section and Lennox Price Book for a complete list of thermostats.

FEATURES

COMPRESSOR

Scroll compressor on all models.
Overload protected.
Resiliently mounted on rubber mounts.

CABINET

Conditioned areas insulated with foil faced insulation to minimize heat loss and reduce operating sound levels.
Powder paint for maximum durability.
Easy service access.
Coated steel wire guard provides complete coil protection.

Interchangeable panels for horizontal to downflow airflow conversion furnished (shipped for horizontal).

Three-Phase Models Only - Factory installed wiring harness for optional Economizer allows fast and easy electrical connections.

Economizer must be field wired when used with single phase models.

AIR FILTER (NOT FURNISHED - REQUIRED)

Filter rails for mounting 1 inch filter are furnished in cabinet. Filter is not furnished and must be field provided.

See Specifications Table for sizes.

OPTIONS / ACCESSORIES

ROOF CURB

Roof Curb, Downflow

Nailer strip furnished, mates to unit, shipped knocked down. See dimension drawing.

ECONOMIZER

Downflow or horizontal, parallel gear-driven action return air and outdoor air dampers, plug-in connections to unit, nylon bearings, neoprene seals, 24-volt, fully-modulating, spring return motor, adjustable minimum damper position.

Barometric relief dampers furnished in downflow economizer.

NOTE - Downflow economizer is not available for 13HPP48 and 13HPP60 single-phase models.

ELECTRIC HEAT

Field install internal to unit cabinet.

Available in several voltages and kw sizes.

Helix wound nichrome heating elements exposed directly in air stream resulting in instant heat transfer, low element temperatures and long service life.

Cutoff limit control provides positive protection in case of excessive temperatures.

Easy plug-in connections for low voltage control wiring.

OUTDOOR AIR DAMPER

Manual or motorized. Perforated air intake panel replaces existing duct cover on unit.

0 to 25% (fixed)

Manual outdoor air damper has adjustable damper slide.

Motorized outdoor air damper has motorized damper assembly with adjustable damper slide.

Outdoor air hood with cleanable filter included.

INSTALLATION CLEARANCES

| | in. | mm |
|--------------------------------|-----|------|
| Front (electric heat access) | 24 | 610 |
| Right Side (blower access) | 24 | 610 |
| Left Side (indoor coil access) | 24 | 610 |
| Back | 0 | 0 |
| Top | 48 | 1219 |

SPECIFICATIONS - 1-PHASE MODELS

| General Data | | Model No. | 13HPP24A | 13HPP30A | 13HPP36A | 13HPP42A | 13HPP48A | 13HPP60A |
|---|--------------------------------------|-----------------|-------------------|--------------|--------------|-----------------|---------------|--------------|
| | | Nominal Tonnage | 2 | 2.5 | 3 | 3.5 | 4 | 5 |
| Cooling Performance | Total capacity - Btuh | | 23,000 | 28,000 | 34,600 | 40,000 | 46,000 | 56,000 |
| | Total unit watts | | 2090 | 2545 | 3145 | 3636 | 4181 | 5090 |
| | ¹ SEER (Btuh/Watt) | | 13.00 | 13.00 | 13.00 | 13.00 | 13.00 | 13.00 |
| | EER (Btuh/Watt) | | 11.00 | 11.00 | 11.00 | 11.00 | 11.00 | 11.00 |
| Heating Performance (High Temp) | Total capacity - Btuh | | 21,600 | 27,000 | 33,600 | 39,000 | 44,000 | 54,000 |
| | Total unit watts | | 1810 | 2262 | 2815 | 3363 | 3910 | 4798 |
| | COP | | 3.5 | 3.5 | 3.5 | 3.4 | 3.3 | 3.3 |
| | HSPF Region IV | | 7.7 | 7.7 | 7.7 | 7.7 | 7.7 | 7.7 |
| Heating Performance (Low Temp) | Total capacity - Btuh | | 13,000 | 16,000 | 20,200 | 22,400 | 26,800 | 34,000 |
| | Total unit watts | | 1733 | 2040 | 2575 | 2985 | 3742 | 4335 |
| | COP | | 2.2 | 2.3 | 2.3 | 2.2 | 2.1 | 2.3 |
| ² Sound Rating Number (dB) | | | 77 | 77 | 77 | 80 | 80 | 80 |
| Refrigerant | Type | | R-410A | R-410A | R-410A | R-410A | R-410A | R-410A |
| | Charge | | 5 lbs. 0 oz. | 7 lbs. 3 oz. | 7 lbs. 6 oz. | 8 lbs. 14 oz. | 9 lbs. 10 oz. | 9 lbs. 6 oz. |
| Condensate drain size (fpt) - in. | | | 3/4 | 3/4 | 3/4 | 3/4 | 3/4 | 3/4 |
| Outdoor Coil Fan | Motor horsepower | | 1/4 | 1/4 | 1/4 | 1/3 | 1/3 | 1/3 |
| | Diameter - in. & No. of blades | | 18 - 4 | 18 - 4 | 18 - 4 | 22 - 3 | 22 - 3 | 22 - 3 |
| Indoor Blower | Blower wheel size dia. x width - in. | | 10 x 8 | 10 x 8 | 10 x 8 | 10 x 10 | 10 x 10 | 10 x 10 |
| | Motor horsepower | | 1/2 | 1/2 | 1/2 | 3/4 | 3/4 | 3/4 |
| ⁵ Filter Dimensions (filter and rails not furnished) | | | (1) 24 x 28 x 1 | | | (1) 30 x 30 x 1 | | |
| Net weight of basic unit - lbs. | | | 325 | 352 | 352 | 447 | 455 | 455 |
| Shipping weight of basic unit (1 Pkg.) - lbs. | | | 338 | 365 | 365 | 462 | 470 | 470 |
| Electrical characteristics (60 hz) | | | 208/230V-1ph-60hz | | | | | |

ELECTRICAL DATA - 1-PHASE

| | | | | | | | |
|--|-------------------|----------|----------|----------|----------|----------|----------|
| Line voltage data - 60hz 1 phase | | 208/230V | 208/230V | 208/230V | 208/230V | 208/230V | 208/230V |
| ³ Maximum overcurrent protection (amps) | | 30 | 30 | 35 | 45 | 50 | 60 |
| ⁴ Minimum Circuit Ampacity | | 21.3 | 21.3 | 26.1 | 30.4 | 34.7 | 40.5 |
| Compressor | Rated load amps | 12.8 | 12.8 | 16.6 | 18.3 | 21.8 | 26.4 |
| | Locked rotor amps | 58.3 | 64 | 79 | 112 | 117 | 134 |
| Outdoor Coil Fan Motor | Full load amps | 1.2 | 1.2 | 1.2 | 1.7 | 1.7 | 1.7 |
| Indoor Blower Motor | Full load amps | 4.1 | 4.1 | 4.1 | 5.8 | 5.8 | 5.8 |

NOTE-Extremes of operating range are plus and minus 10% of line voltage.

¹ AHRI Certified to AHRI Standard 210/240

Cooling Ratings - 95°F outdoor air temperature and 80°F db/67°F wb entering indoor coil air.

High Temperature Heating Ratings - 47°F db/43°F wb outdoor air temperature and 70°F entering indoor coil air.

Low Temperature Heating Ratings - 17°F db/15°F wb outdoor air temperature and 70°F entering indoor coil air.

² Sound Rating Number rated in accordance with test conditions included in AHRI Standard 270.

³ HACR type circuit breaker or fuse.

⁴ Refer to National or Canadian Electrical Code manual to determine wire, fuse and disconnect size requirements.

⁵ Filters are not furnished and must be field provided.

SPECIFICATIONS - 3-PHASE MODELS

| General Data | | Model No. | RHP13A36 | RHP13A48 | RHP13A60 |
|--|--------------------------------------|--------------------------|-----------------|-----------------|-----------------|
| | Nominal Tonnage | | 3 | 4 | 5 |
| Cooling Performance | Total capacity - Btuh | | 34,600 | 46,000 | 56,000 |
| | ¹ SEER (Btuh/Watt) | | 13.0 | 13.0 | 13.0 |
| | EER (Btuh/Watt) | | 11.0 | 11.0 | 11.0 |
| Heating Performance (High Temp) | Total capacity - Btuh | | 33,600 | 44,000 | 54,000 |
| | COP | | 3.5 | 3.3 | 3.3 |
| | HSPF Region IV | | 7.7 | 7.7 | 7.7 |
| Heating Performance (Low Temp) | Total capacity - Btuh | | 20,200 | 26,800 | 34,000 |
| | COP | | 2.3 | 2.1 | 2.3 |
| ² Sound Rating Number (dB) | | | 79 | 80 | 80 |
| Refrigerant | Type | | R-410A | R-410A | R-410A |
| | Charge | | 7 lbs. 6 oz | 9 lbs. 10 oz. | 9 lbs. 6 oz. |
| Condensate drain size (fpt) - in. | | | 3/4 | 3/4 | 3/4 |
| Outdoor Coil Fan | Motor horsepower | | 1/4 | 1/3 | 1/3 |
| | Motor rpm | | 1075 | 1075 | 1075 |
| | Diameter - in. & No. of blades | | 18 - 4 | 22 - 3 | 22 - 3 |
| Indoor Blower | Motor horsepower | | 1/2 | 3/4 | 3/4 |
| | Blower wheel size dia. x width - in. | | 10 x 8 | 10 x 10 | 10 x 10 |
| ⁵ Filter Dimensions (filter not furnished) | | | (1) 24 x 28 x 1 | (1) 30 x 30 x 1 | (1) 30 x 30 x 1 |
| Shipping weight of basic unit (1 Pkg.) - lbs. | | | 370 | 480 | 480 |
| Electrical characteristics (60 hz) | | 208/230V-3ph or 460V-3ph | | | |

ELECTRICAL DATA - 3-PHASE

| Line voltage data - 60hz 3 phase | 208/230V | 208/230V | 460V | 208/230V | 460V |
|---|-------------------|----------|------|----------|------|
| ³ Maximum overcurrent protection (amps) | 25 | 35 | 15 | 40 | 20 |
| ⁴ Minimum Circuit Ampacity | 18.3 | 24.6 | 12 | 27.4 | 13.9 |
| Compressor | Rated load amps | 10.4 | 13.7 | 6.2 | 7.7 |
| | Locked rotor amps | 73 | 83.1 | 41 | 52 |
| Outdoor Coil Fan Motor | Full load amps | 1.2 | 1.7 | 1 | 1 |
| Indoor Blower Motor | Full load amps | 4.1 | 5.8 | 3.2 | 3.2 |

NOTE-Extremes of operating range are plus and minus 10% of line voltage.

¹ AHRI Certified to AHRI Standard 210/240

Cooling Ratings - 95°F outdoor air temperature and 80°F db/67°F wb entering indoor coil air.

High Temperature Heating Ratings - 47°F db/43°F wb outdoor air temperature and 70°F entering indoor coil air.

Low Temperature Heating Ratings - 17°F db/15°F wb outdoor air temperature and 70°F entering indoor coil air.

² Sound Rating Number rated in accordance with test conditions included in AHRI Standard 270.

³ HACR type circuit breaker or fuse.

⁴ Refer to National or Canadian Electrical Code manual to determine wire, fuse and disconnect size requirements.

⁵ Filters are not furnished and must be field provided.

OPTIONS / ACCESSORIES

| Item Description | Model Number | Catalog Number | Unit Model No | | | | | | |
|---------------------------|-------------------|-----------------|-----------------|----|----|----|----|----------------|----------------|
| | | | 24 | 30 | 36 | 42 | 48 | 60 | |
| ELECTRIC HEAT | | | | | | | | | |
| 1-Phase | | | | | | | | | |
| 5 kW | 208/240V-1ph-60hz | AHSA05A-1 | 40K65 | X | X | X | X | X | X |
| 7 kW | 208/240V-1ph-60hz | AHSA07A-1 | 40K66 | X | X | X | X | X | X |
| 10 kW | 208/240V-1ph-60hz | AHSA10A-1 | 40K67 | X | X | X | X | X | X |
| 15 kW | 208/240V-1ph-60hz | AHSA15A-1 | 40K68 | X | X | X | X | X | X |
| 20 kW | 208/240V-1ph-60hz | AHSA20A-1 | 40K69 | | | | X | X | X |
| 3-Phase | | | | | | | | | |
| 10 kW | 208/240V-3ph-60hz | AHSA10B-1 | 1.821007 | | | X | | X | X |
| | 460V-3ph-60hz | AHSA10C-1 | 1.821014 | | | | | X | X |
| 15 kW | 208/240V-3ph-60hz | AHSA15B-1 | 1.821008 | | | X | | X | X |
| | 460V-3ph-60hz | AHSA15C-1 | 1.821015 | | | | | X | X |
| ECONOMIZER | | | | | | | | | |
| Downflow | AECON825-1 | 1.851395 | | X | X | X | | | |
| | AECON826-1 | 1.851396 | | | | | X | ¹ X | ¹ X |
| Horizontal | AECON827-1 | 1.851397 | | X | X | X | | | |
| | AECON828-1 | 1.851398 | | | | | X | X | X |
| OUTDOOR AIR DAMPER | | | | | | | | | |
| Manual | ADMPR145-1 | 1.851274 | | X | X | X | | | |
| | ADMPR166-1 | 1.851293 | | | | | X | X | X |
| Motorized | ADMPR146-1 | 1.851275 | | X | X | X | | | |
| | ADMPR167-1 | 1.851294 | | | | | X | X | X |
| ROOF CURBS | | | | | | | | | |
| | ACURB161-1 | 1.851299 | | X | X | X | | | |
| | ACURB163-1 | 1.851300 | | | | | X | X | X |

NOTE - Catalog and model numbers shown are for ordering field installed accessories.

X = Field installed.

¹ Optional for three-phase models only.

ELECTRIC HEAT DATA

1-PHASE

| Packaged Unit Model No. | Electric Heat Size | | Input | | ¹ Minimum Circuit Ampacity | ¹ Minimum Circuit Ampacity | ² Maximum Overcurrent Protection | ² Maximum Overcurrent Protection |
|----------------------------------|--------------------|-------------|-------|------|---------------------------------------|---------------------------------------|---|---|
| | kW | Catalog No. | Volt | kW | Circuit 1 | Circuit 2 | Circuit 1 | Circuit 2 |
| 13HPP24A 13HPP30A 13HPP36A | 5 kW | 40K65 | 240 | 5.0 | 31.2 | --- | 35 | --- |
| | | | 208 | 3.7 | 27.8 | --- | 30 | --- |
| | 7 kW | 40K66 | 240 | 7.0 | 41.7 | --- | 50 | --- |
| | | | 208 | 5.3 | 36.8 | --- | 40 | --- |
| | 10 kW | 40K67 | 240 | 10.0 | 57.3 | --- | 60 | --- |
| | | | 208 | 7.5 | 50.3 | --- | 60 | --- |
| 15 kW | 40K68 | 240 | 15.0 | 57.3 | 26 | 60 | 30 | |
| | | 208 | 11.3 | 50.3 | 22.5 | 60 | 25 | |
| 13HPP42A 13HPP48A 13HPP60A | 5 kW | 40K65 | 240 | 5.0 | 33.3 | --- | 35 | --- |
| | | | 208 | 3.7 | 29.9 | --- | 30 | --- |
| | 7 kW | 40K66 | 240 | 7.0 | 43.8 | --- | 50 | --- |
| | | | 208 | 5.3 | 38.9 | --- | 40 | --- |
| | 10 kW | 40K67 | 240 | 10.0 | 59.4 | --- | 60 | --- |
| | | | 208 | 7.5 | 52.4 | --- | 60 | --- |
| | 15 kW | 40K68 | 240 | 15.0 | 59.4 | 26 | 60 | 30 |
| | | | 208 | 11.3 | 52.4 | 22.5 | 60 | 25 |
| 20 kW | 40K69 | 240 | 20.0 | 59.4 | 52.1 | 60 | 60 | |
| | | 208 | 15.0 | 52.4 | 45.1 | 60 | 50 | |

3-PHASE

| | | | | | | | | |
|----------------------|-------|----------|-----|------|------|----|-----|-----|
| RHP13A36 | 10 kW | 1.821007 | 208 | 7.5 | 31.2 | 35 | --- | --- |
| | | | 240 | 10.0 | 35.2 | 40 | --- | --- |
| | 15 kW | 1.821008 | 208 | 11.3 | 44.2 | 45 | --- | --- |
| | | | 240 | 15.0 | 50.2 | 60 | --- | --- |
| RHP13A48 RHP13A60 | 10 kW | 1.821007 | 208 | 7.5 | 33.3 | 35 | --- | --- |
| | | | 240 | 10.0 | 37.3 | 40 | --- | --- |
| | | 1.821014 | 480 | 10.0 | 19.0 | 20 | --- | --- |
| | 15 kW | 1.821008 | 208 | 11.3 | 46.3 | 50 | --- | --- |
| | | | 240 | 15.0 | 52.4 | 60 | --- | --- |
| | | 1.821015 | 480 | 15.0 | 25.8 | 30 | --- | --- |

¹ Refer to National or Canadian Electrical Code manual to determine wire, fuse and disconnect size requirements. Use wires suitable for at least 167°F.

² HACR type breaker or fuse.

COOLING RATINGS

| Model | Indoor Temp DB/WB °F | Outdoor Temp - DB°F | | | | | | | | | | | | | | |
|----------------------|----------------------------|---------------------|------|------|--------|------|------|--------|------|------|--------|------|------|--------|------|------|
| | | 65° | | | 82° | | | 95° | | | 105° | | | 115° | | |
| | | Btuh | S/T | kW | Btuh | S/T | kW | Btuh | S/T | kW | Btuh | S/T | kW | Btuh | S/T | kW |
| 13HPP24A | 85/72 | 28,100 | 0.59 | 1.60 | 26,500 | 0.62 | 1.89 | 25,300 | 0.65 | 2.10 | 23,700 | 0.68 | 2.33 | 21,800 | 0.71 | 2.31 |
| | 80/67 | 26,500 | 0.67 | 1.59 | 25,000 | 0.70 | 1.85 | 23,000 | 0.74 | 2.09 | 21,400 | 0.76 | 2.31 | 19,100 | 0.81 | 2.30 |
| | 75/63 | 25,000 | 0.71 | 1.58 | 22,600 | 0.74 | 1.87 | 20,700 | 0.76 | 2.08 | 19,100 | 0.81 | 2.30 | 17,100 | 0.85 | 2.29 |
| | 75/57 | 23,100 | 1.00 | 1.56 | 21,600 | 1.00 | 1.84 | 20,500 | 1.00 | 2.05 | 18,800 | 1.00 | 2.27 | 16,900 | 1.00 | 2.25 |
| 13HPP30A | 85/72 | 33,700 | 0.61 | 1.97 | 31,900 | 0.64 | 2.30 | 30,500 | 0.67 | 2.56 | 28,200 | 0.70 | 2.84 | 25,900 | 0.73 | 2.82 |
| | 80/67 | 32,100 | 0.68 | 1.96 | 29,900 | 0.72 | 2.27 | 28,000 | 0.75 | 2.55 | 25,700 | 0.79 | 2.81 | 22,500 | 0.84 | 2.79 |
| | 75/63 | 30,200 | 0.72 | 1.95 | 27,400 | 0.76 | 2.28 | 25,200 | 0.79 | 2.53 | 22,600 | 0.84 | 2.79 | 19,900 | 0.88 | 2.77 |
| | 75/57 | 27,900 | 1.00 | 1.92 | 26,200 | 1.00 | 2.25 | 24,900 | 1.00 | 2.50 | 22,500 | 1.00 | 2.76 | 20,000 | 1.00 | 2.73 |
| 13HPP36A RHP13A36 | 85/72 | 41,800 | 0.61 | 2.39 | 39,400 | 0.63 | 2.82 | 37,500 | 0.65 | 3.15 | 35,700 | 0.68 | 3.50 | 33,100 | 0.70 | 3.49 |
| | 80/67 | 39,400 | 0.68 | 2.37 | 37,500 | 0.71 | 2.80 | 34,600 | 0.74 | 3.14 | 32,000 | 0.76 | 3.47 | 29,500 | 0.80 | 3.43 |
| | 75/63 | 37,100 | 0.72 | 2.36 | 33,900 | 0.75 | 2.79 | 31,500 | 0.77 | 3.12 | 29,400 | 0.82 | 3.45 | 26,200 | 0.86 | 3.42 |
| | 75/57 | 34,300 | 1.00 | 2.32 | 32,300 | 1.00 | 2.75 | 30,800 | 1.00 | 3.08 | 28,900 | 1.00 | 3.40 | 26,100 | 1.00 | 3.36 |
| 13HPP42A | 85/72 | 46,300 | 0.64 | 2.69 | 44,600 | 0.66 | 3.22 | 43,200 | 0.68 | 3.64 | 40,600 | 0.70 | 4.06 | 37,800 | 0.72 | 4.10 |
| | 80/67 | 44,000 | 0.71 | 2.68 | 43,200 | 0.74 | 3.18 | 40,000 | 0.76 | 3.63 | 38,000 | 0.78 | 3.98 | 34,000 | 0.81 | 4.03 |
| | 75/63 | 42,100 | 0.74 | 2.67 | 39,200 | 0.77 | 3.17 | 36,900 | 0.79 | 3.56 | 33,800 | 0.83 | 3.96 | 30,600 | 0.87 | 3.98 |
| | 75/57 | 38,300 | 1.00 | 2.63 | 38,800 | 1.00 | 3.15 | 35,600 | 1.00 | 3.56 | 33,100 | 1.00 | 3.94 | 30,400 | 1.00 | 3.95 |
| 13HPP48A RHP13A48 | 85/72 | 54,400 | 0.65 | 3.10 | 52,100 | 0.66 | 3.72 | 50,200 | 0.67 | 4.19 | 47,200 | 0.69 | 4.66 | 43,500 | 0.71 | 4.71 |
| | 80/67 | 51,900 | 0.71 | 3.08 | 49,500 | 0.73 | 3.64 | 46,000 | 0.76 | 4.18 | 43,500 | 0.78 | 4.55 | 38,400 | 0.80 | 4.65 |
| | 75/63 | 49,900 | 0.73 | 3.06 | 45,600 | 0.76 | 3.64 | 42,300 | 0.78 | 4.09 | 38,700 | 0.82 | 4.55 | 34,300 | 0.85 | 4.60 |
| | 75/57 | 45,200 | 1.00 | 3.02 | 42,800 | 1.00 | 3.63 | 40,900 | 1.00 | 4.10 | 37,900 | 1.00 | 4.53 | 34,200 | 1.00 | 4.56 |
| 13HPP60A RHP13A60 | 85/72 | 68,500 | 0.60 | 3.87 | 64,500 | 0.62 | 4.61 | 61,300 | 0.63 | 5.17 | 57,500 | 0.65 | 5.76 | 52,300 | 0.66 | 5.75 |
| | 80/67 | 64,800 | 0.66 | 3.83 | 60,800 | 0.68 | 4.49 | 56,000 | 0.70 | 5.09 | 53,000 | 0.72 | 5.62 | 45,300 | 0.77 | 5.61 |
| | 75/63 | 60,900 | 0.69 | 3.81 | 54,500 | 0.72 | 4.50 | 49,600 | 0.75 | 5.03 | 45,800 | 0.78 | 5.56 | 40,500 | 0.81 | 5.52 |
| | 75/57 | 56,400 | 1.00 | 3.75 | 52,700 | 1.00 | 4.45 | 49,800 | 1.00 | 4.99 | 45,500 | 1.00 | 5.53 | 40,300 | 1.00 | 5.50 |

HEATING RATINGS

| Model | Outdoor Temp - DB/WB °F | | | | | | | | | |
|----------------------|-------------------------|------|--------|------|--------|------|--------|------|--------|------|
| | 0/0 | | 17/15 | | 35/33 | | 47/43 | | 62/56 | |
| | Btuh | kW | Btuh | kW | Btuh | kW | Btuh | kW | Btuh | kW |
| 13HPP24A | 10,100 | 1.71 | 13,000 | 1.73 | 15,400 | 1.71 | 21,600 | 1.80 | 26,200 | 1.87 |
| 13HPP30A | 10,700 | 2.03 | 16,000 | 2.04 | 21,100 | 2.14 | 27,000 | 2.26 | 32,700 | 2.33 |
| 13HPP36A RHP13A36 | 15,900 | 2.53 | 20,200 | 2.58 | 24,900 | 2.66 | 33,600 | 2.82 | 40,200 | 2.93 |
| 13HPP42A | 19,600 | 2.92 | 22,400 | 2.99 | 26,600 | 3.20 | 39,000 | 3.36 | 46,800 | 3.48 |
| 13HPP48A RHP13A48 | 23,900 | 3.57 | 26,800 | 3.74 | 29,300 | 3.73 | 44,000 | 3.91 | 52,900 | 4.08 |
| 13HPP60A RHP13A60 | 25,200 | 4.30 | 34,000 | 4.34 | 41,200 | 4.32 | 54,000 | 4.78 | 64,800 | 5.03 |

BLOWER DATA

13HPP24A BLOWER PERFORMANCE

¹ Horizontal Airflow

| External Static Pressure in. w.g. | Air Volume at Specific Blower Taps (cfm) | | | | |
|-----------------------------------|--|--------------------|---------------------|---|--|
| | Tap 1 (Fan Only) | Tap 2 (Low Static) | Tap 3 (High Static) | ² Tap 4 (Low Static Electric Heat) | ² Tap 5 (High Static Electric Heat) |
| 0.20 | 640 | 830 | 950 | 900 | 1060 |
| 0.30 | 460 | 800 | 910 | 870 | 1030 |
| 0.40 | 370 | 760 | 880 | 830 | 980 |
| 0.50 | --- | 710 | 840 | 800 | 960 |
| 0.60 | --- | 640 | 800 | 730 | 930 |
| 0.70 | --- | 600 | 750 | 690 | 910 |
| 0.80 | --- | 570 | 700 | 640 | 860 |

NOTE - All air data measured external to unit with dry coil and less filter.

¹ For downflow air volume, add 0.10 in. w.g. to duct static.

² Taps 4 and 5 are used with Optional Electric Heat. Refer to Electric Heat nameplate for proper heat tap selection

13HPP30A BLOWER PERFORMANCE

¹ Horizontal Airflow

| External Static Pressure in. w.g. | Air Volume at Specific Blower Taps (cfm) | | | | |
|-----------------------------------|--|--------------------|---------------------|---|--|
| | Tap 1 (Fan Only) | Tap 2 (Low Static) | Tap 3 (High Static) | ² Tap 4 (Low Static Electric Heat) | ² Tap 5 (High Static Electric Heat) |
| 0.20 | 650 | 1030 | 1150 | 1110 | 1150 |
| 0.30 | 550 | 1000 | 1110 | 1070 | 1110 |
| 0.40 | 490 | 970 | 1080 | 1040 | 1080 |
| 0.50 | 430 | 930 | 1050 | 1000 | 1050 |
| 0.60 | --- | 900 | 1010 | 970 | 1010 |
| 0.70 | --- | 860 | 980 | 950 | 980 |
| 0.80 | --- | 820 | 960 | 920 | 960 |

NOTE - All air data measured external to unit with dry coil and less filter.

¹ For downflow air volume, add 0.10 in. w.g. to duct static.

² Taps 4 and 5 are used with Optional Electric Heat. Refer to Electric Heat nameplate for proper heat tap selection

13HPP36A AND RHP13A36 BLOWER PERFORMANCE

¹ Horizontal Airflow

| External Static Pressure in. w.g. | Air Volume at Specific Blower Taps (cfm) | | | | |
|-----------------------------------|--|--------------------|---------------------|---|--|
| | Tap 1 (Fan Only) | Tap 2 (Low Static) | Tap 3 (High Static) | ² Tap 4 (Low Static Electric Heat) | ² Tap 5 (High Static Electric Heat) |
| 0.20 | 650 | 1240 | 1320 | 1240 | 1320 |
| 0.30 | 590 | 1200 | 1260 | 1200 | 1260 |
| 0.40 | 500 | 1150 | 1230 | 1150 | 1230 |
| 0.50 | 430 | 1100 | 1200 | 1100 | 1200 |
| 0.60 | --- | 1060 | 1160 | 1060 | 1160 |
| 0.70 | --- | 1020 | 1120 | 1020 | 1120 |
| 0.80 | --- | 980 | 1080 | 980 | 1080 |

NOTE - All air data measured external to unit with dry coil and less filter.

¹ For downflow air volume, add 0.10 in. w.g. to duct static.

² Taps 4 and 5 are used with Optional Electric Heat. Refer to Electric Heat nameplate for proper heat tap selection

BLOWER DATA

13HPP42A BLOWER PERFORMANCE

¹ Horizontal Airflow

| External Static Pressure in. w.g. | Air Volume at Specific Blower Taps (cfm) | | | | |
|-----------------------------------|--|--------------------|---------------------|---|--|
| | Tap 1 (Fan Only) | Tap 2 (Low Static) | Tap 3 (High Static) | ² Tap 4 (Low Static Electric Heat) | ² Tap 5 (High Static Electric Heat) |
| 0.20 | 780 | 1450 | 1650 | 1510 | 1650 |
| 0.30 | 690 | 1370 | 1570 | 1430 | 1570 |
| 0.40 | 610 | 1280 | 1510 | 1380 | 1510 |
| 0.50 | 540 | 1200 | 1440 | 1290 | 1440 |
| 0.60 | --- | 1120 | 1360 | 1220 | 1360 |
| 0.70 | --- | 1060 | 1260 | 1150 | 1260 |
| 0.80 | --- | 990 | 1160 | 1090 | 1160 |

NOTE - All air data measured external to unit with dry coil and less filter.

¹ For downflow air volume, add 0.10 in. w.g. to duct static.

² Taps 4 and 5 are used with Optional Electric Heat. Refer to Electric Heat nameplate for proper heat tap selection

13HPP48A AND RHP13A48 BLOWER PERFORMANCE

¹ Horizontal Airflow

| External Static Pressure in. w.g. | Air Volume at Specific Blower Taps (cfm) | | | | |
|-----------------------------------|--|--------------------|---------------------|---|--|
| | Tap 1 (Fan Only) | Tap 2 (Low Static) | Tap 3 (High Static) | ² Tap 4 (Low Static Electric Heat) | ² Tap 5 (High Static Electric Heat) |
| 0.20 | 860 | 1650 | 1800 | 1650 | 1800 |
| 0.30 | 760 | 1600 | 1750 | 1600 | 1750 |
| 0.40 | 690 | 1550 | 1690 | 1550 | 1690 |
| 0.50 | 640 | 1500 | 1630 | 1500 | 1630 |
| 0.60 | --- | 1440 | 1570 | 1440 | 1570 |
| 0.70 | --- | 1370 | 1470 | 1370 | 1470 |
| 0.80 | --- | 1290 | 1330 | 1290 | 1330 |

NOTE - All air data measured external to unit with dry coil and less filter.

¹ For downflow air volume, add 0.10 in. w.g. to duct static.

² Taps 4 and 5 are used with Optional Electric Heat. Refer to Electric Heat nameplate for proper heat tap selection

13HPP60A AND RHP13A60 BLOWER PERFORMANCE

¹ Horizontal Airflow

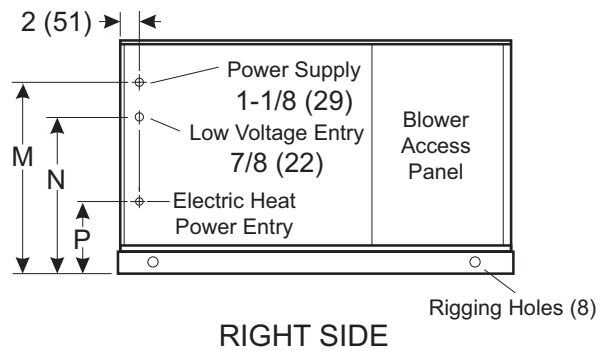
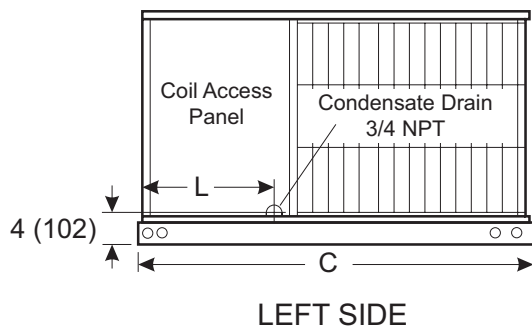
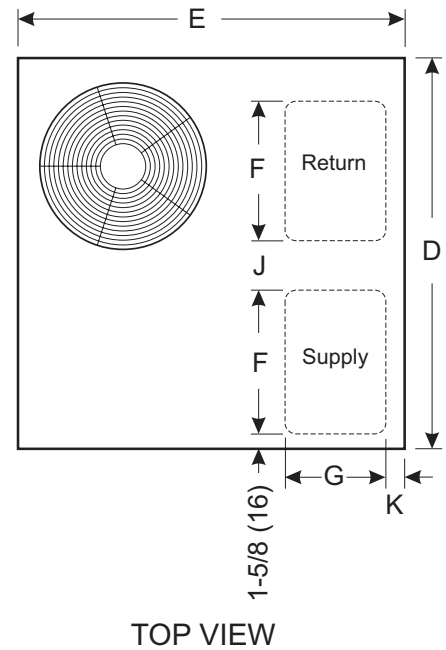
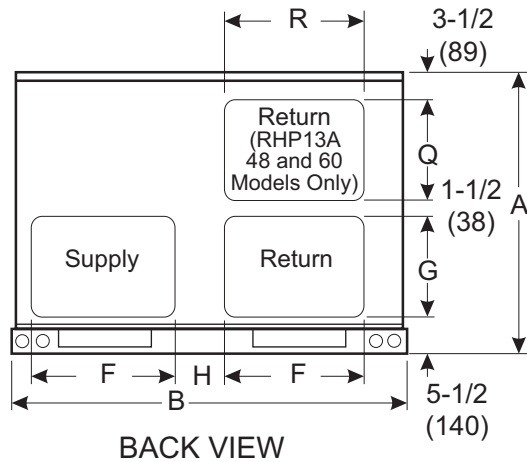
| External Static Pressure in. w.g. | Air Volume at Specific Blower Taps (cfm) | | | | |
|-----------------------------------|--|--------------------|---------------------|---|--|
| | Tap 1 (Fan Only) | Tap 2 (Low Static) | Tap 3 (High Static) | ² Tap 4 (Low Static Electric Heat) | ² Tap 5 (High Static Electric Heat) |
| 0.20 | 1000 | 1820 | 1950 | 1820 | 1950 |
| 0.30 | 900 | 1790 | 1910 | 1790 | 1910 |
| 0.40 | 800 | 1730 | 1860 | 1730 | 1860 |
| 0.50 | 750 | 1670 | 1800 | 1670 | 1800 |
| 0.60 | --- | 1630 | 1700 | 1630 | 1700 |
| 0.70 | --- | 1530 | 1560 | 1530 | 1560 |
| 0.80 | --- | 1380 | 1360 | 1380 | 1360 |

NOTE - All air data measured external to unit with dry coil and less filter.

¹ For downflow air volume, add 0.10 in. w.g. to duct static.

² Taps 4 and 5 are used with Optional Electric Heat. Refer to Electric Heat nameplate for proper heat tap selection

DIMENSIONS - INCHES (MM)



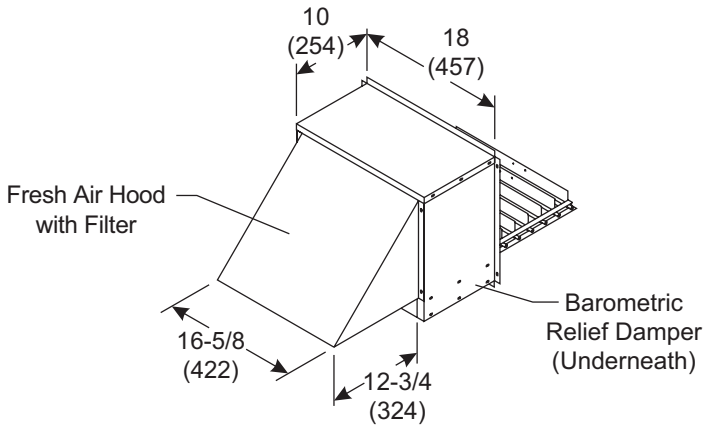
| Model No. | A | | B | | C | | D | | E | | F | | G | | H | |
|--|--------|-----|--------|------|--------|------|--------|------|--------|------|--------|-----|--------|-----|-------|-----|
| | in | mm | in | mm | in | mm | in | mm | in | mm | in | mm | in | mm | in | mm |
| 13HPP24A 13HPP30A 13HPP36A RHP13A36 | 32-1/2 | 826 | 46-1/2 | 1181 | 46-1/2 | 1181 | 45-5/8 | 1159 | 45-5/8 | 1159 | 17-1/2 | 445 | 11-1/2 | 292 | 4 | 102 |
| 13HPP42A 13HPP48A 13HPP60A RHP13A48 RHP13A60 | 34-1/2 | 876 | 55-1/2 | 1410 | 50-1/2 | 1283 | 54-5/8 | 1387 | 49-5/8 | 1260 | 21-1/2 | 546 | 12 | 305 | 6-1/4 | 159 |

| Model No. | J | | K | | L | | M | | N | | P | | Q | | R | |
|--|-------|-----|-------|----|--------|-----|--------|-----|--------|-----|--------|-----|-----|-----|--------|-----|
| | in | mm | in | mm | in | mm | in | mm | in | mm | in | mm | in | mm | in | mm |
| 13HPP24A 13HPP30A 13HPP36A RHP13A36 | 4 | 102 | 1-3/4 | 44 | 15-5/8 | 397 | 27-3/4 | 705 | 24-7/8 | 632 | 9-3/4 | 248 | --- | --- | --- | --- |
| 13HPP42A 13HPP48A 13HPP60A RHP13A48 RHP13A60 | 5-5/8 | 143 | 2-3/8 | 60 | 17-1/8 | 435 | 29-3/4 | 756 | 26-7/8 | 683 | 15-1/2 | 394 | 12 | 305 | 21-1/2 | 546 |

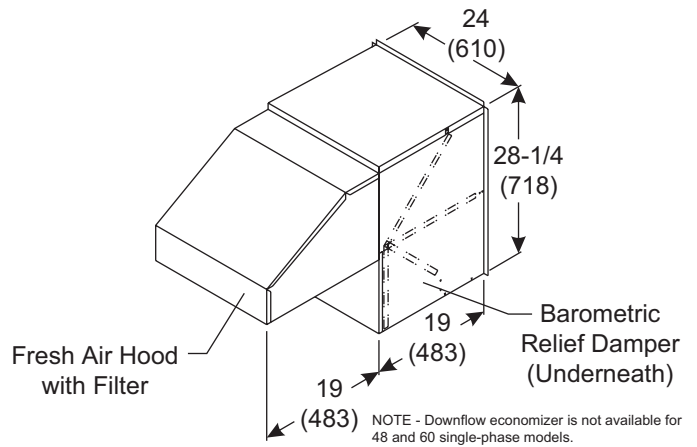
ACCESSORIES DIMENSIONS - INCHES (MM)

ECONOMIZER DAMPERS - DOWNFLOW

FOR 24, 30 AND 36 MODELS

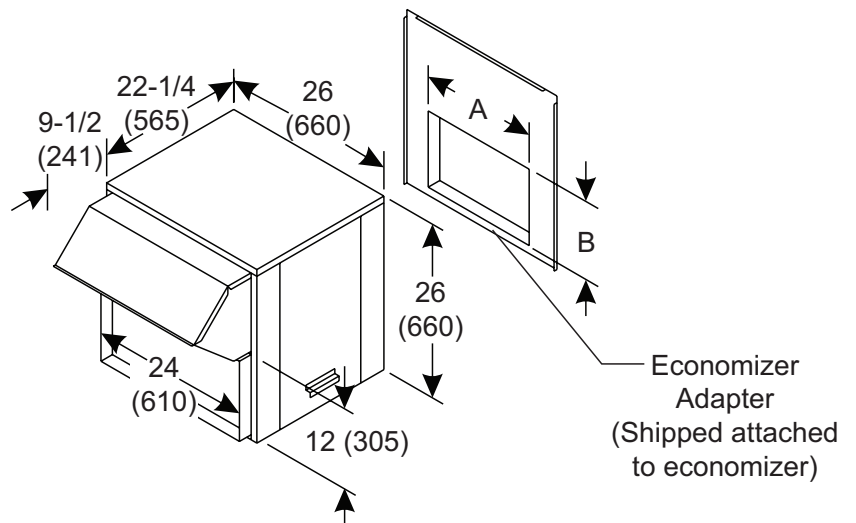


FOR 42, 48 AND 60 MODELS



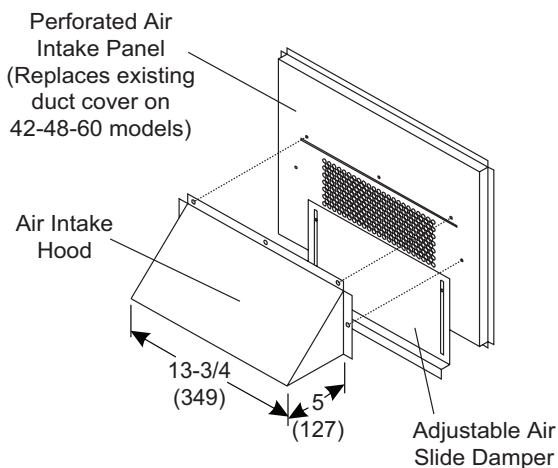
ECONOMIZER DAMPERS - HORIZONTAL

| Model No. | A | | B | |
|------------|--------|-----|--------|-----|
| | in | mm | in | mm |
| 24, 30, 36 | 17-5/8 | 448 | 11-1/2 | 292 |
| 42, 48, 60 | 21-3/4 | 552 | 12-1/4 | 311 |

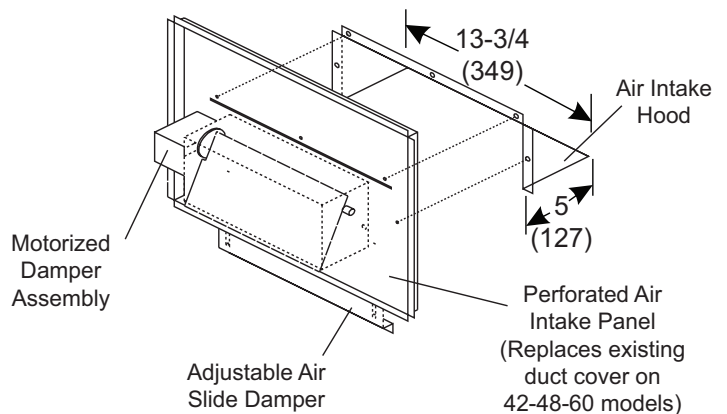


FRESH AIR DAMPERS

MANUAL

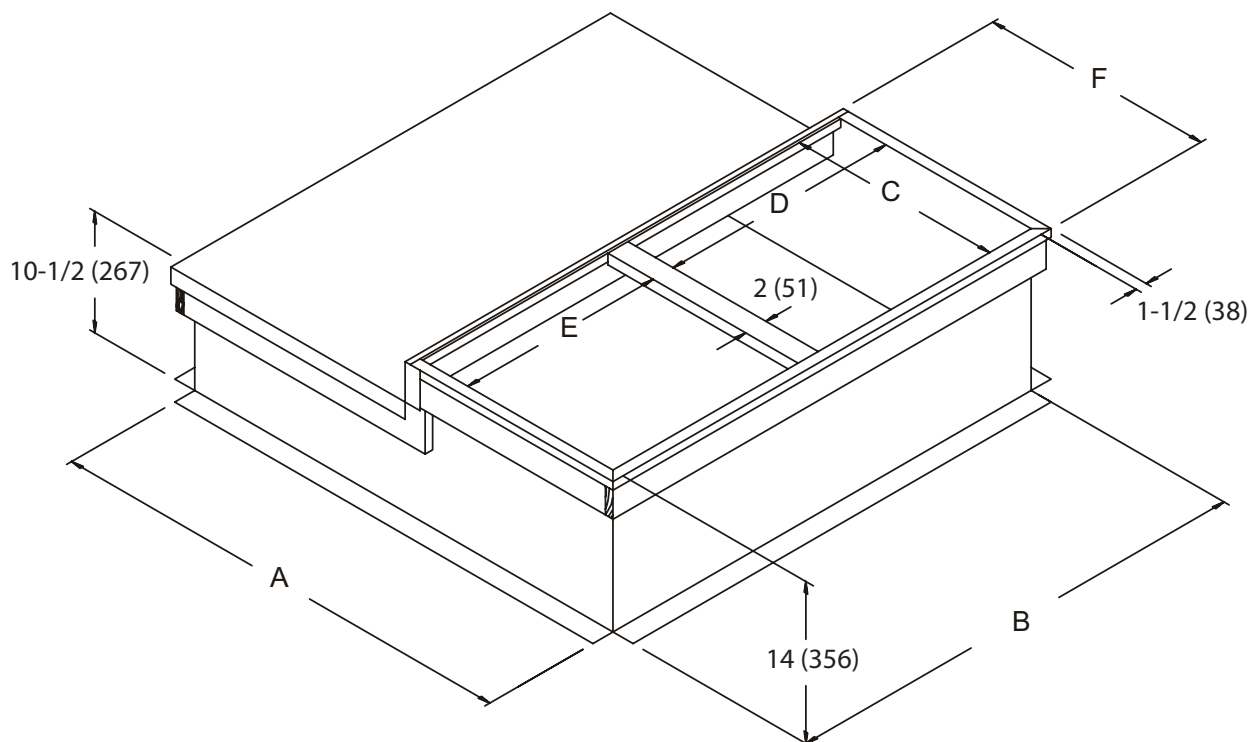


MOTORIZED



ACCESSORIES DIMENSIONS - INCHES (MM)

ROOF CURB



| Model No. | A | | B | | C | | D | | E | | F | |
|--|--------|------|----|------|--------|-----|--------|-----|--------|-----|--------|-----|
| | in | mm | in | mm | in | mm | in | mm | in | mm | in | mm |
| 13HPP24A 13HPP30A 13HPP36A RHP13A36 | 40 | 1016 | 40 | 1016 | 19 | 483 | 20 | 508 | 18 | 457 | 21-1/2 | 546 |
| 13HPP42A 13HPP48A 13HPP60A RHP13A48 RHP13A60 | 44-1/8 | 1121 | 49 | 1245 | 19-1/2 | 495 | 23-1/2 | 597 | 23-1/2 | 597 | 23 | 584 |

REVISIONS

| Sections | Description of Change |
|------------------------|---------------------------------|
| Options / Accessories | Added Economizer footnote. |
| Accessories Dimensions | Added Downflow Economizer note. |



Visit us at www.lennox.com

For the latest technical information, www.lennoxcommercial.com

Contact us at 1-800-4-LENNOX

NOTE - Due to Lennox' ongoing commitment to quality, Specifications, Ratings and Dimensions subject to change without notice and without incurring liability. Improper installation, adjustment, alteration, service or maintenance can cause property damage or personal injury. Installation and service must be performed by a qualified installer and servicing agency.

©2012 Lennox Industries, Inc.