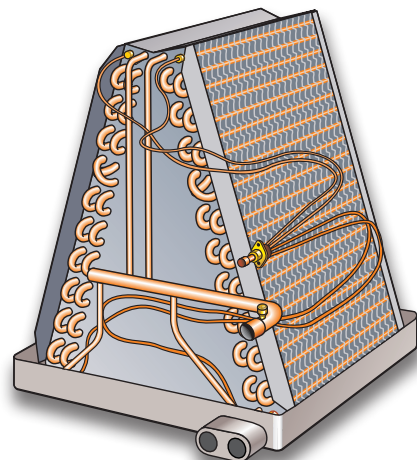
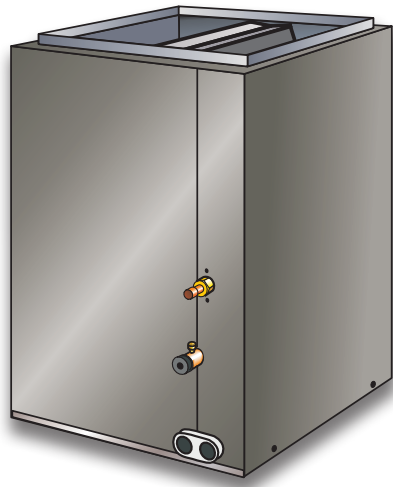




Upflow - Cased and Uncased

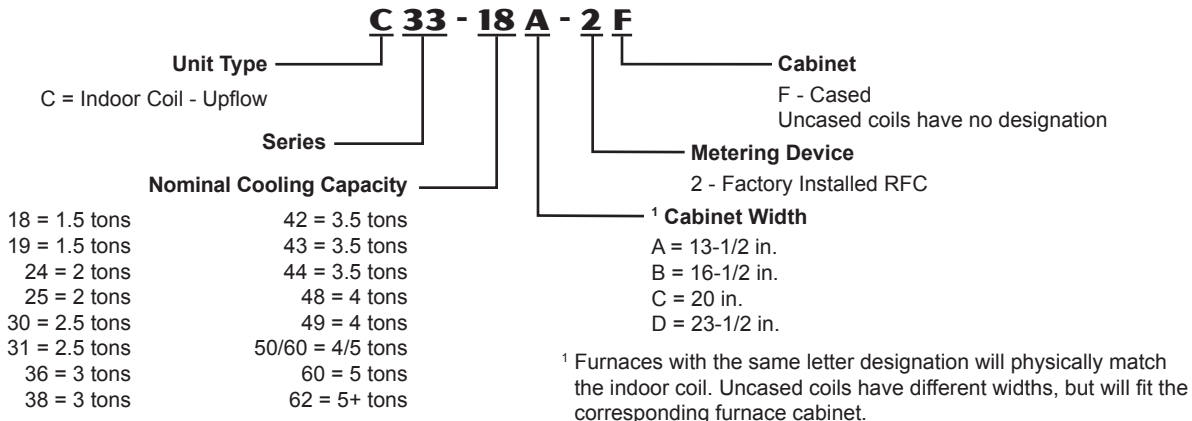
Bulletin No. 210280  
August 2010  
Supersedes August 2009

PRODUCT SPECIFICATIONS



1.5 to 5 Tons

MODEL NUMBER IDENTIFICATION



FEATURES

CONTENTS

Air Resistance . . . . .	5
Dimensions . . . . .	7
Features . . . . .	1
Model Number Identification . . . . .	1
Optional Accessories . . . . .	3
Optional Adjustable Coil Adaptor/Seal Applications . . . . .	6
Specifications . . . . .	3

WARRANTY

All covered components limited warranty for five years in residential applications, one year warranty in non-residential applications.

Refer to Lennox Equipment Limited Warranty certificate included with equipment for details.

APPLICATIONS

Applicable to expansion valve or RFCIV systems. RFCIV metering device is factory installed in C33 coils. RFCIV systems are applicable to certain air conditioners only.

Expansion valve systems require field installed kit.

See bulletins in section Air Conditioners for indoor coil applications and cooling capacities.

See bulletins in section Heat Pump Outdoor Units for dual fuel indoor coil applications and cooling and heating capacities.

TESTED

Tested with matching air conditioners and heat pump units.

Rated in accordance with AHRI Standard 210/240 conditions and DOE test procedures.

Air resistance tests from Lennox Laboratory air test chamber.

## FEATURES

### COIL CONSTRUCTION

- Durable copper tubing.
- Ripple-edged aluminum fins.
- Lanced fins provide maximum exposure of fin surface to air stream.
- Rifled tubing provides superior refrigerant heat transfer.
- Twin coil construction assembled in a A" configuration for large surface area.
- Non-corrosive, UV-resistant polymer drain pan with dual fpt drain connections.
- Liquid line seal nut section furnished for installation of expansion valve or RFCIV orifice.
- Sweat connections on both liquid and suction lines.
- Piping patch plate furnished with uncased coils.
- High pressure testing insures leakproof construction.

### CABINET

#### Construction - Cased (F) Coils

- Cabinets insulated with thick fiberglass insulation.
- Constructed of pre-painted heavy gauge steel.
- Flanges provided in outlet opening of cabinet for ease of plenum connection.
- Engaging holes furnished on cabinet for alignment with furnace.
- Removable panels provide access to coil.
- See dimension drawing.

#### Furnace Match-Up

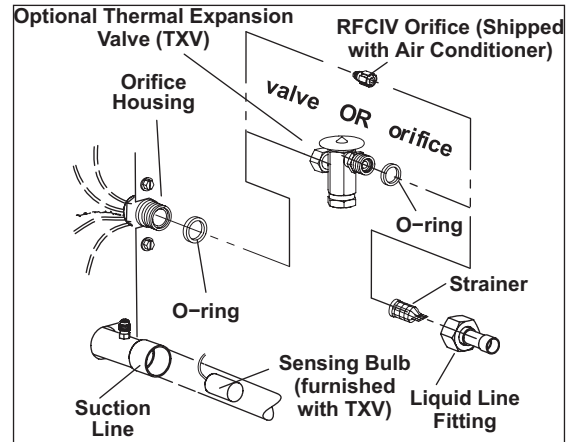
- All cased coils exactly match corresponding furnaces with same letter designation in model number. No adaptor required. Engaging holes furnished on cabinet for alignment.
- Uncased coils match furnaces without any overhang but require optional adaptor base or field fabricated transition to match furnace opening.

### OPTIONAL ACCESSORIES

#### Adjustable Coil Adaptor/Seal

- For Uncased Coils
- Telescoping adaptor provides quick and easy installation in wide variety of applications.
- See dimension drawings and application drawings.
- Available ten pack kits.

### REFRIGERANT CONTROL CHOICE



All models applicable to Lennox RFCIV refrigerant metering system when matched with specific air conditioners.

See Air Conditioners bulletins for applications.

NOTE - In certain application the RFC orifice furnished with the coil must be replaced with the orifice furnished with the air conditioner. Refer to the air conditioner bulletin to determine if replacement is required.

Optional expansion valve is required in most applications and must be ordered extra.

#### Refrigerant Flow Control IV

RFCIV accurately meters refrigerant in system.

Refrigerant control is accomplished by exact sizing of refrigerant metering orifice.

Principle of Lennox RFCIV system involves matching evaporator coil with proper bore size of orifice in metering device.

RFCIV system equalizes pressure shortly after compressor stops, unit starts unloaded, eliminating need for additional controls.

### OPTIONAL ACCESSORIES

#### Expansion Valve Kits

Expansion valve available for field installation.

See air conditioners bulletins for expansion valve kit selection.

<b>SPECIFICATIONS</b>		<b>1.5 TO 2 TON</b>				
General Data	Uncased Model No.	C33-18A-2	C33-19A-2	C33-24A-2	C33-24B-2	C33-24C-2
	Cased Model No.	C33-18A-2F	C33-19A-2F	C33-24A-2F	C33-24B-2F	C33-24C-2F
	Nominal size - Tons	1.5	1.5	2	2	2
Line connections in.	Suction / vapor o.d. - sweat	3/4	3/4	3/4	3/4	3/4
	Liquid o.d. - sweat	3/8	3/8	3/8	3/8	3/8
	Condensate drain (fpt)	(2) 3/4	(2) 3/4	(2) 3/4	(2) 3/4	(2) 3/4
RFCIV metering device orifice size		0.053	0.053	0.062	0.062	0.062
Indoor Coil	Net face area sq. ft.	2.2	3.11	3.11	3.11	3.11
	Tube diameter - in.	3/8	3/8	3/8	3/8	3/8
	Number of rows	2	3	2	2	2
	Fins per inch	18	12	18	18	18
Matching Lennox Furnace - Cabinet Width Designation		A	A	A	B	C
<sup>1</sup> Coil & Furnace Cabinet Width - in.		14-1/2	14-1/2	14-1/2	17-1/2	21
Shipping Data - lbs.	Uncased	14	19	18	20	25
	Cased	27	35	31	31	39

**OPTIONAL ACCESSORIES - MUST BE ORDERED EXTRA**

Adjustable Coil Adaptor/Seal - Uncased models only (Ten Pack)	11L09	11L09	11L09	11L09	11L09
---	-------	-------	-------	-------	-------

<sup>1</sup> Uncased coils match furnaces without any overhang but require optional adaptor base or field fabricated transition to match furnace width.

<b>SPECIFICATIONS</b>		<b>2 TO 2.5 TON</b>				
General Data	Uncased Model No.	C33-25A-2	C33-25B-2	C33-30A-2	C33-30B-2	C33-30C-2
	Cased Model No.	C33-25A-2F	C33-25B-2F	C33-30A-2F	C33-30B-2F	C33-30C-2F
	Nominal size - Tons	2	2	2.5	2.5	2.5
Line connections in.	Suction / vapor o.d. - sweat	3/4	3/4	3/4	3/4	3/4
	Liquid o.d. - sweat	3/8	3/8	3/8	3/8	3/8
	Condensate drain (fpt)	(2) 3/4	(2) 3/4	(2) 3/4	(2) 3/4	(2) 3/4
RFCIV metering device orifice size		0.062	0.062	0.071	0.071	0.071
Indoor Coil	Net face area sq. ft.	3.55	3.55	4.0	4.0	4.0
	Tube diameter - in.	3/8	3/8	3/8	3/8	3/8
	Number of rows	3	3	3	2	2
	Fins per inch	14	14	18	18	18
Matching Lennox Furnace - Cabinet Width Designation		A	B	A	B	C
<sup>1</sup> Coil & Furnace Cabinet Width - in.		14-1/2	17-1/2	14-1/2	17-1/2	21
Shipping Data - lbs.	Uncased	23	24	22	23	28
	Cased	39	41	37	40	46

**OPTIONAL ACCESSORIES - MUST BE ORDERED EXTRA**

Adjustable Coil Adaptor/Seal - Uncased models only (Ten Pack)	11L09	11L09	11L09	11L09	11L09
---	-------	-------	-------	-------	-------

<sup>1</sup> Uncased coils match furnaces without any overhang but require optional adaptor base or field fabricated transition to match furnace width.

<b>SPECIFICATIONS</b>		<b>2.5 TO 3 TON</b>				
General Data	Uncased Model No.	C33-31A-2	C33-31B-2	C33-36A-2	C33-36B-2	C33-36C-2
	Cased Model No.	C33-31A-2F	C33-31B-2F	C33-36A-2F	C33-36B-2F	C33-36C-2F
	Nominal size - Tons	2.5	2.5	3	3	3
Line connections in.	Suction / vapor o.d. - sweat	3/4	3/4	3/4	3/4	3/4
	Liquid o.d. - sweat	3/8	3/8	3/8	3/8	3/8
	Condensate drain (fpt)	(2) 3/4	(2) 3/4	(2) 3/4	(2) 3/4	(2) 3/4
RFCIV metering device orifice size		0.071	0.071	0.076	0.076	0.076
Indoor Coil	Net face area sq. ft.	4.44	4.44	4.89	4.89	4.89
	Tube diameter - in.	3/8	3/8	3/8	3/8	3/8
	Number of rows	3	3	2	2	2
	Fins per inch	13	13	18	18	18
Matching Lennox Furnace - Cabinet Width Designation		A	B	A	B	C
<sup>1</sup> Coil & Furnace Cabinet Width - in.		14-1/2	17-1/2	14-1/2	17-1/2	21
Shipping Data - lbs.	Uncased	31	32	26	27	29
	Cased	47	49	45	46	50

**OPTIONAL ACCESSORIES - MUST BE ORDERED EXTRA**

Adjustable Coil Adaptor/Seal - Uncased models only (Ten Pack)	11L09	11L09	11L09	11L09	11L09
---	-------	-------	-------	-------	-------

<sup>1</sup> Uncased coils match furnaces without any overhang but require optional adaptor base or field fabricated transition to match furnace width.

**SPECIFICATIONS**
**3 TO 3.5 TON**

General Data	Uncased Model No.	C33-38A-2	C33-38B-2	C33-42B-2	C33-43B-2	C33-43C-2
	Cased Model No.	C33-38A-2F	C33-38B-2F	C33-42B-2F	C33-43B-2	C33-43C-2F
	Nominal size - Tons	3	3	3.5	3.5	3.5
Line connections in.	Suction / vapor o.d. - sweat	3/4	3/4	7/8	7/8	7/8
	Liquid o.d. - sweat	3/8	3/8	3/8	3/8	3/8
	Condensate drain (fpt)	(2) 3/4	(2) 3/4	(2) 3/4	(2) 3/4	(2) 3/4
RFCIV metering device orifice size		0.076	0.076	0.082	0.082	0.082
Indoor Coil	Net face area sq. ft.	4.89	4.89	4.89	5.77	5.77
	Tube diameter - in.	3/8	3/8	3/8	3/8	3/8
	Number of rows	3	3	2	3	3
	Fins per inch	14	14	18	13	13
Matching Lennox Furnace - Cabinet Width Designation		A	B	B	B	C
<sup>1</sup> Coil & Furnace Cabinet Width - in.		14-1/2	17-1/2	17-1/2	17-1/2	21
Shipping Data - lbs.	Uncased	31	33	27	43	44
	Cased	49	51	47	60	63

**OPTIONAL ACCESSORIES - MUST BE ORDERED EXTRA**

Adjustable Coil Adaptor/Seal - Uncased models only (Ten Pack)	11L09	11L09	11L09	11L09	11L09
---	-------	-------	-------	-------	-------

<sup>1</sup> Uncased coils match furnaces without any overhang but require optional adaptor base or field fabricated transition to match furnace width.

**SPECIFICATIONS**
**3.5 TO 4 TON**

General Data	Uncased Model No.	C33-44C-2	C33-48B-2	C33-48C-2	C33-49C-2
	Cased Model No.	C33-44C-2F	C33-48B-2F	C33-48C-2F	C33-49C-2F
	Nominal size - Tons	3.5	4	4	4
Line connections in.	Suction / vapor o.d. - sweat	7/8	7/8	7/8	7/8
	Liquid o.d. - sweat	3/8	3/8	3/8	3/8
	Condensate drain (fpt)	(2) 3/4	(2) 3/4	(2) 3/4	(2) 3/4
RFCIV metering device orifice size		0.082	0.091	0.091	0.091
Indoor Coil	Net face area sq. ft.	4.89	4.89	4.89	7.0
	Tube diameter - in.	3/8	3/8	3/8	3/8
	Number of rows	3	3	3	3
	Fins per inch	14	12	12	15
Matching Lennox Furnace - Cabinet Width Designation		C	B	C	C
<sup>1</sup> Coil & Furnace Cabinet Width - in.		21	17-1/2	21	21
Shipping Data - lbs.	Uncased	34	33	35	53
	Cased	55	52	55	72

**OPTIONAL ACCESSORIES - MUST BE ORDERED EXTRA**

Adjustable Coil Adaptor/Seal - Uncased models only (Ten Pack)	11L09	11L09	11L09	11L09
---	-------	-------	-------	-------

<sup>1</sup> Uncased coils match furnaces without any overhang but require optional adaptor base or field fabricated transition to match furnace width.

**SPECIFICATIONS**
**4 TO 5 TON**

General Data	Uncased Model No.	C33-50/60C-2	C33-60D-2	C33-62C-2	C33-62D-2
	Cased Model No.	C33-50/60C-2F	C33-60D-2F	C33-62C-2F	C33-62D-2F
	Nominal size - Tons	4/5	5	5	5
Line connections in.	Suction / vapor o.d. - sweat	7/8	7/8	7/8	7/8
	Liquid o.d. - sweat	3/8	3/8	3/8	3/8
	Condensate drain (fpt)	(2) 3/4	(2) 3/4	(2) 3/4	(2) 3/4
RFCIV metering device orifice size		0.091	0.099	0.099	0.099
Indoor Coil	Net face area sq. ft.	5.78	6.40	7.50	7.48
	Tube diameter - in.	3/8	3/8	3/8	3/8
	Number of rows	3	3	3	3
	Fins per inch	12	14	16	14
Matching Lennox Furnace - Cabinet Width Designation		C	D	C	D
<sup>1</sup> Coil & Furnace Cabinet Width - in.		21	24-1/2	21	24-1/2
Shipping Data - lbs.	Uncased	40	42	58	48
	Cased	66	66	76	77

**OPTIONAL ACCESSORIES - MUST BE ORDERED EXTRA**

Adjustable Coil Adaptor/Seal - Uncased models only (Ten Pack)	11L09	11L09	11L09	11L09
---	-------	-------	-------	-------

<sup>1</sup> Uncased coils match furnaces without any overhang but require optional adaptor base or field fabricated transition to match furnace width.

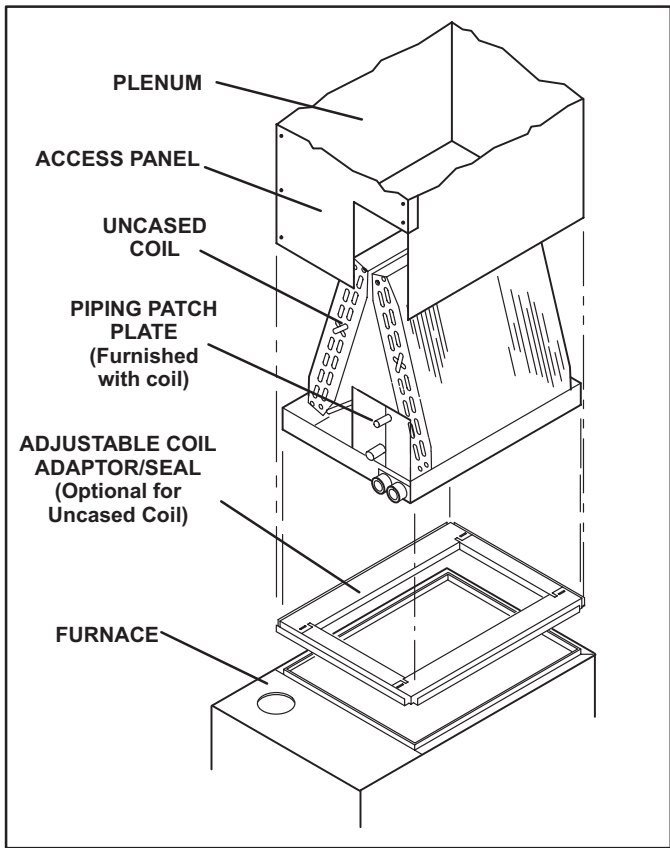
## AIR RESISTANCE

Model No.	Air Volume cfm	Total Resistance	
		Dry Coil in. w.g.	Wet Coil in. w.g.
C33-18A-2	200	0.03	0.04
	400	0.08	0.09
	600	0.14	0.17
	800	0.22	0.29
	1000	0.31	0.42
C33-19A-2	200	0.01	0.04
	400	0.03	0.05
	600	0.08	0.09
	800	0.13	0.16
	1000	0.20	0.24
C33-24A-2 C33-24B-2 C33-24C-2	400	0.06	0.08
	600	0.11	0.17
	800	0.18	0.25
	1000	0.27	0.39
	1200	0.37	0.52
C33-25A-2	400	0.05	0.05
	600	0.09	0.10
	800	0.16	0.18
	1000	0.23	0.26
	1200	0.32	0.36
C33-25B-2	400	0.03	0.04
	600	0.07	0.09
	800	0.11	0.15
	1000	0.17	0.22
	1200	0.23	0.31
C33-30A-2 C33-30B-2 C33-30C-2	600	0.09	0.12
	800	0.14	0.21
	1000	0.22	0.30
	1200	0.30	0.43
	1400	0.40	0.55
C33-31A-2	600	0.07	0.08
	800	0.12	0.13
	1000	0.18	0.20
	1200	0.26	0.28
	1400	0.34	0.37
C33-31B-2	600	0.06	0.06
	800	0.09	0.11
	1000	0.13	0.16
	1200	0.19	0.23
	1400	0.25	0.31
C33-36A-2 C33-38A-2	800	0.13	0.14
	1000	0.19	0.21
	1200	0.27	0.30
	1400	0.34	0.39
	1600	0.45	0.51

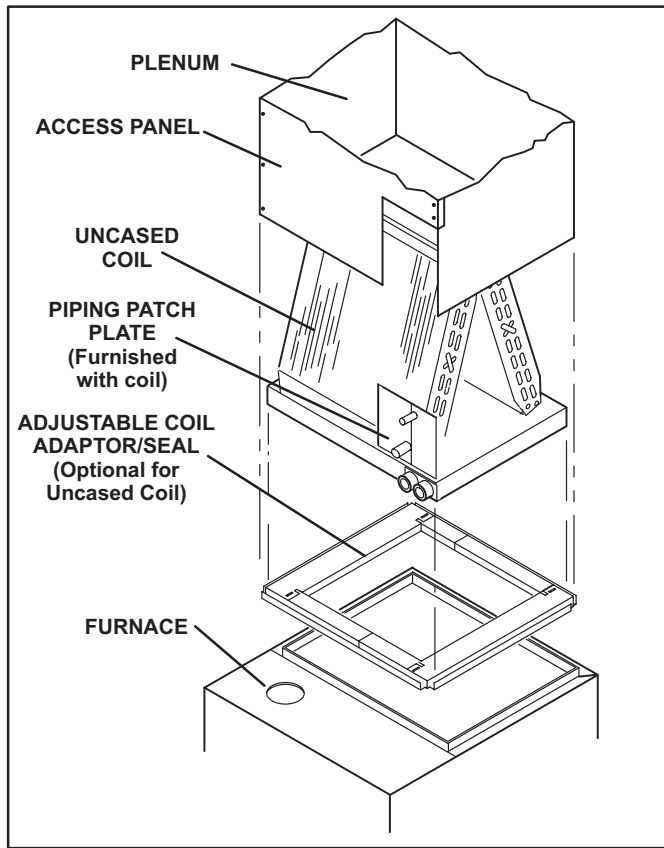
Model No.	Air Volume cfm	Total Resistance	
		Dry Coil in. w.g.	Wet Coil in. w.g.
C33-36B-2 C33-36C-2 C33-38B-2 C33-48B-2	800	0.08	0.11
	1000	0.13	0.16
	1200	0.17	0.21
	1400	0.22	0.28
	1600	0.29	0.34
C33-42B-2	1000	0.13	0.16
	1200	0.17	0.21
	1400	0.22	0.28
	1600	0.29	0.34
	1800	0.34	0.42
C33-43B-2	1000	0.13	0.13
	1200	0.18	0.18
	1400	0.23	0.24
	1600	0.30	0.31
	1800	0.37	0.40
C33-43C-2	1000	0.07	0.09
	1200	0.10	0.12
	1400	0.13	0.16
	1600	0.16	0.20
	1800	0.20	0.24
C33-44C-2 C33-48C-2 C33-50/60C-2	1200	0.13	0.17
	1400	0.18	0.23
	1600	0.23	0.29
	1800	0.28	0.37
	2000	0.34	0.43
C33-49C-2	1200	0.08	0.12
	1400	0.13	0.17
	1600	0.17	0.22
	1800	0.22	0.28
	2000	0.28	0.35
C33-60D-2 C33-62D-2	1400	0.11	0.15
	1600	0.14	0.18
	1800	0.17	0.21
	2000	0.21	0.27
	2200	0.25	0.32
C33-62C-2	2400	0.30	0.37
	1400	0.15	0.19
	1600	0.19	0.23
	1800	0.24	0.28
	2000	0.29	0.34
	2200	0.33	0.40
	2400	0.39	0.46

# OPTIONAL ADJUSTABLE COIL ADAPTOR/SEAL APPLICATIONS

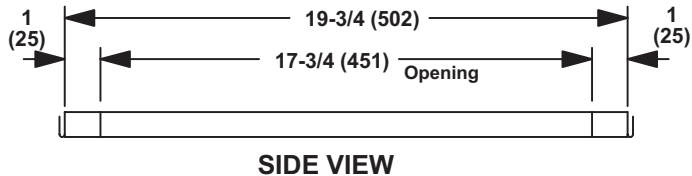
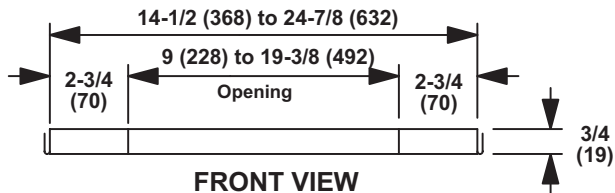
C33-18A thru C33-62C UNCASSED COILS



C33-60D & C33-62D UNCASSED COILS

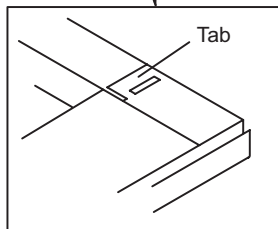
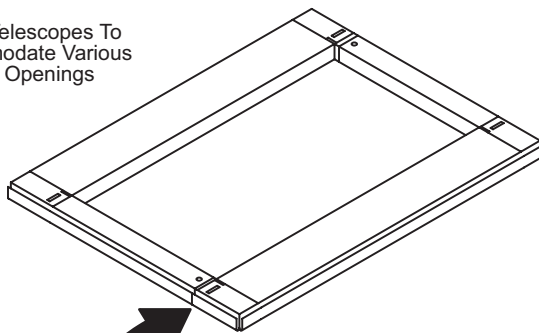


ADJUSTABLE COIL ADAPTOR/SEAL DIMENSIONS — inches (mm)



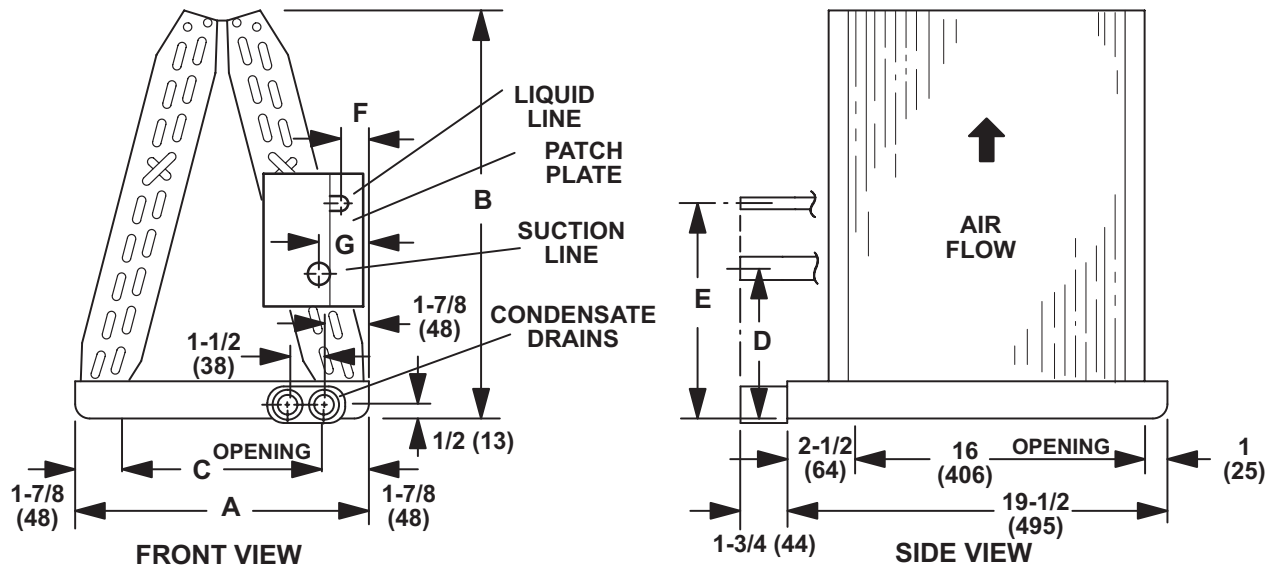
ADJUSTABLE COIL ADAPTOR/SEAL DETAIL

Frame Telescopes To Accommodate Various Furnace Openings



Tab may be bent up 90° for centering of smaller coils.

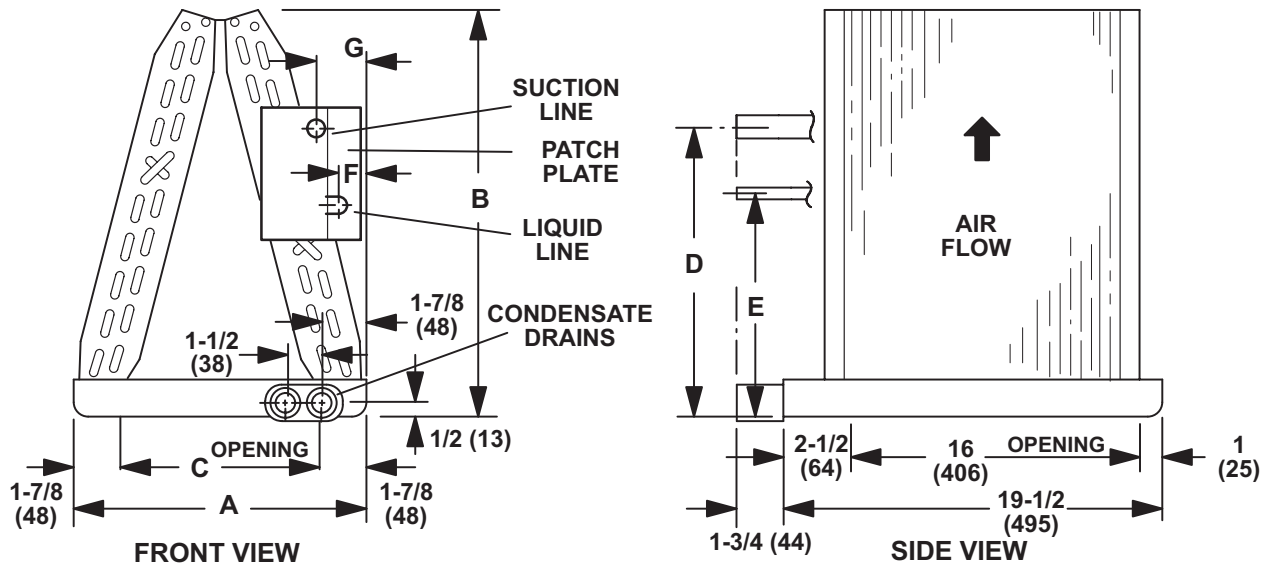
**C33-18A, -19A, -25, -31, -43, 48 and 50/60C Coils**



Model Number	A		B		C		D		E		F		G	
	in.	mm	in.	mm	in.	mm	in.	mm	in.	mm	in.	mm	in.	mm
<b>C33-18A-2</b>	13	330	9-3/4	248	10-1/4	260	6-7/8	175	9-7/8	251	7/8	22	2	51
<b>C33-19A-2</b>	13	330	14	356	10-1/4	260	10-1/8	257	13-1/8	333	2-1/4	57	3-1/8	79
<b>C33-25A-2</b>	13	330	16-1/4	413	10-1/4	260	12-1/8	308	15-1/8	384	2-1/4	57	3-1/8	79
<b>C33-25B-2</b>	15-1/2	394	15-7/8	403	11-3/4	298	12-1/8	308	15-1/8	321	2-1/4	57	3-1/8	79
<b>C33-31A-2</b>	13	330	21-1/4	540	10-1/4	260	11-5/8	295	14-5/8	371	3/4	19	1-5/8	41
<b>C33-31B-2</b>	15-1/2	394	20-1/4	514	11-3/4	298	11-5/8	295	14-5/8	371	2-1/4	57	2-7/8	73
<b>C33-43B-2</b>	15-1/2	394	26-1/4	667	11-3/4	298	15-7/8	403	18-7/8	479	2-1/4	57	3-1/8	79
<b>C33-43C-2</b>	20	508	25-3/4	654	15-3/4	400	15-7/8	403	18-7/8	479	2-1/4	57	3-1/8	79
<b>C33-48B-2</b>	15-1/2	394	22-1/8	562	11-3/4	298	9-1/8	232	12-1/8	308	2	51	3-1/8	79
<b>C33-48C-2</b>	20	508	21-1/2	546	15-3/4	400	12-1/8	308	15-1/8	384	2	51	3-1/8	79
<b>C33-50/60C-2</b>	20	508	24-3/4	629	15-3/4	400	15-7/8	403	18-7/8	479	2	51	3-1/8	79

**C33-24, -30, -36, -38, -42B and 44C Coils**

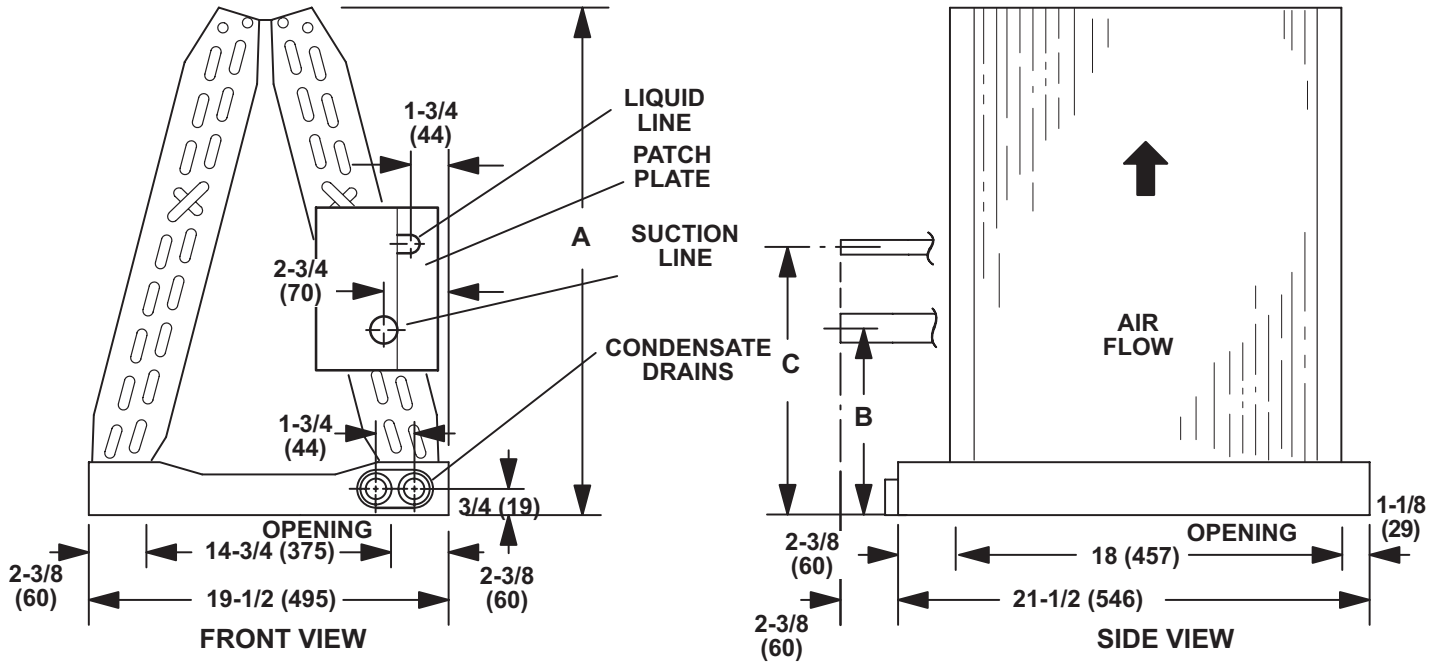
(NOTE - See next page for C33-49C-2 and C33-62C-2 Coils)



Model Number	A		B		C		D		E		F		G	
	in.	mm	in.	mm	in.	mm	in.	mm	in.	mm	in.	mm	in.	mm
C33-24A-2	13	330	14	356	10-1/4	260	10-3/8	264	7-3/8	187	2-1/4	57	3-1/8	79
C33-24B-2	15-1/2	394	13-7/8	352	11-3/4	298	10-1/2	267	7-1/2	191	2-1/4	57	3-1/8	79
C33-24C-2	20	508	13-7/8	352	15-3/4	400	10-1/2	267	7-1/2	191	2-1/4	57	3-1/8	79
C33-30A-2	13	330	18	457	10-1/4	260	14-1/2	368	11-1/2	292	2-1/4	57	3-1/8	79
C33-30B-2	15-1/2	394	17-3/4	451	11-3/4	298	14-1/2	368	11-1/2	292	2-1/4	57	3-1/8	79
C33-30C-2	20	508	17-3/4	451	15-3/4	400	14-1/2	368	11-1/2	292	2-1/4	51	3-1/8	79
C33-36A-2	13	330	22-1/8	562	10-1/4	260	18-1/2	470	15-5/8	397	2-1/4	57	3-1/8	79
C33-36B-2	15-1/2	394	21-7/8	556	11-3/4	298	17-7/8	454	14-7/8	378	2-1/4	57	3-1/8	79
C33-36C-2	20	508	21-1/4	540	15-3/4	400	18-7/8	479	15-7/8	403	2-1/4	57	3-1/8	79
C33-38A-2	13	330	22-1/4	565	10-1/4	260	17-1/2	445	14-5/8	371	2	51	3-1/8	79
C33-38B-2	15-1/2	394	22	559	11-3/4	298	17-5/8	448	14-3/4	375	1-3/4	44	2-7/8	73
C33-42B-2	15-1/2	394	21-7/8	556	11-3/4	298	17-7/8	454	14-7/8	378	2	51	3-1/8	79
C33-44C-2	20	508	21-1/2	546	15-3/4	400	18-3/4	476	15-3/4	400	3-3/4	95	4-7/8	124

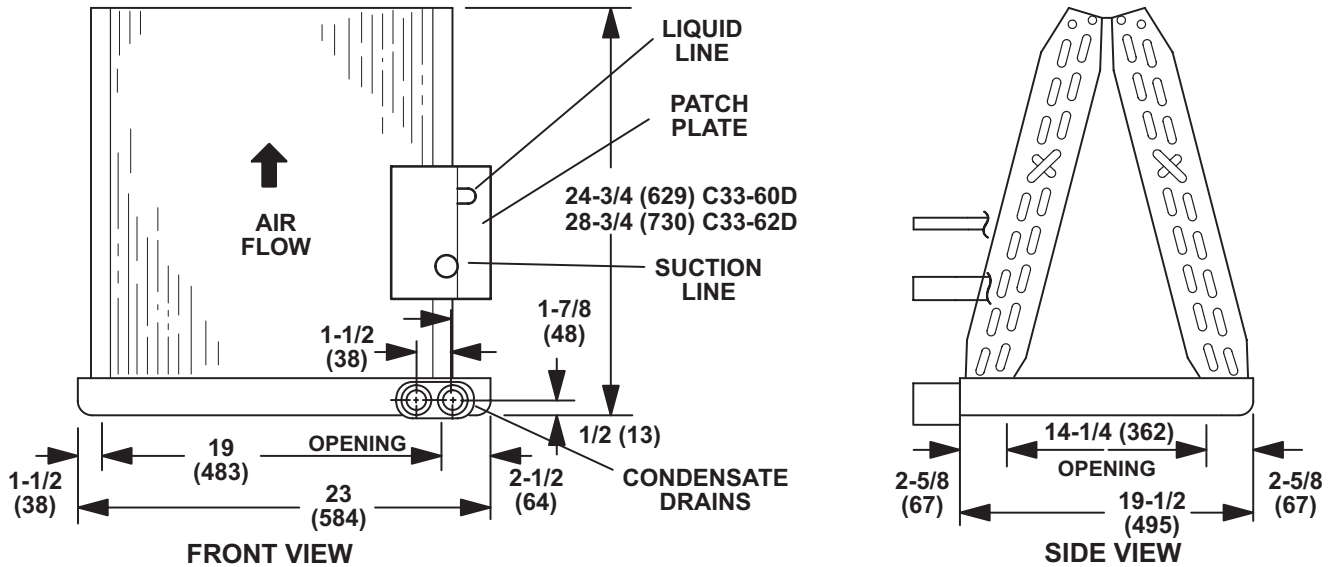


**C33-49C and C33-62C Coils**

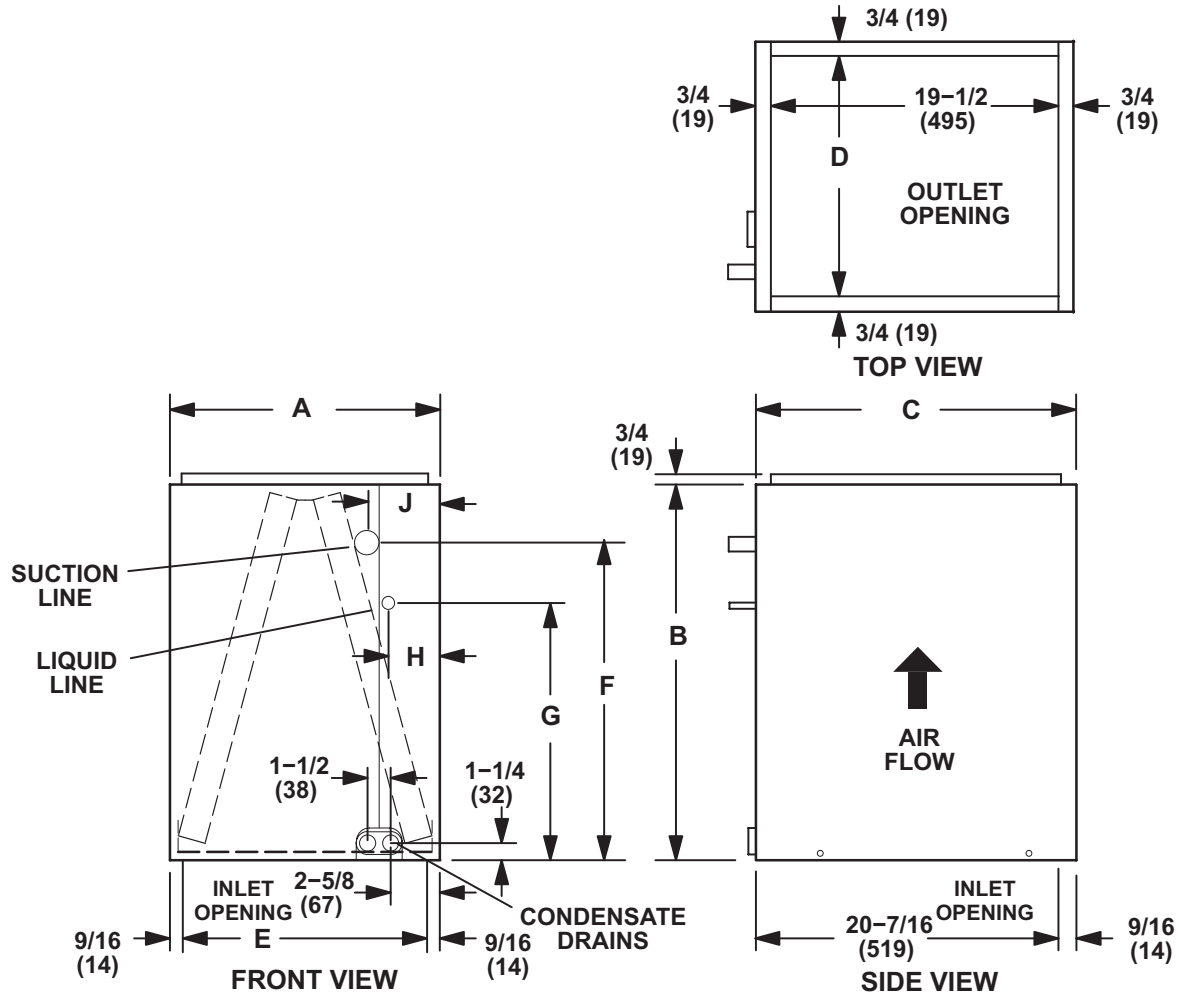


Model Number	A		B		C	
	in.	mm	in.	mm	in.	mm
C33-49C-2	28-1/2	724	15-1/8	384	18-1/8	460
C33-62C-2	30-5/8	778	18-1/8	460	21-1/8	537

**C33-60D and C33-62D Coils**



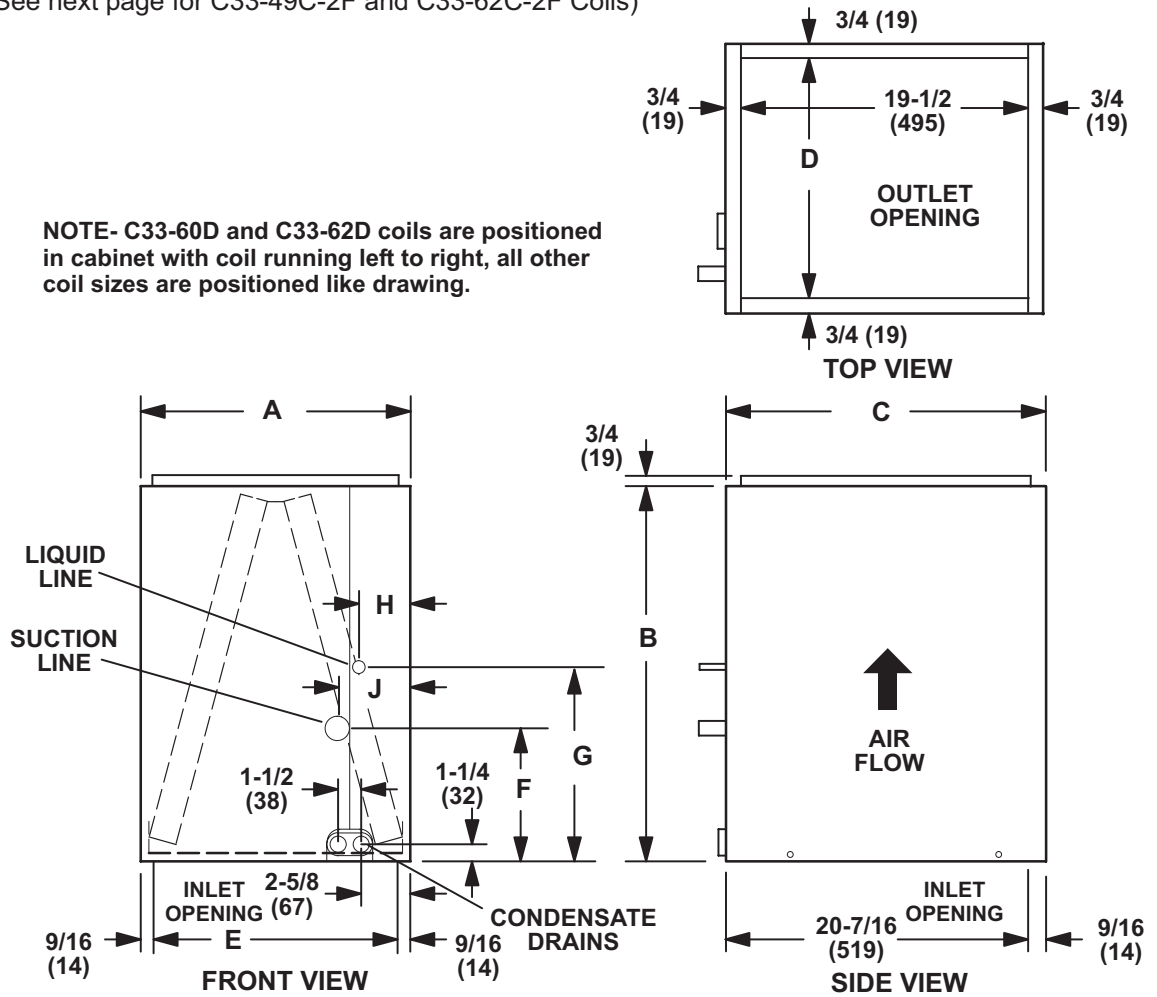
**C33-24, -30, -36, -38, -42B and -44C Coils**



Model Number	A		B		C		D		E		F		G		H		J	
	in.	mm	in.	mm	in.	mm	in.	mm	in.	mm	in.	mm	in.	mm	in.	mm	in.	mm
C33-24A-2F	14-1/2	368	16-1/2	419	21	533	13	330	13-3/8	340	11-1/8	283	8-1/8	206	3	76	3-7/8	98
C33-24B-2F	17-1/2	445	16-1/2	419	21	533	16	406	16-3/8	416	11-1/4	286	8-1/4	210	3	76	4-1/8	105
C33-24C-2F	21	533	16-1/2	419	21	533	19-1/2	495	19-7/8	505	11-1/4	286	8-1/4	210	3	76	4-1/8	105
C33-30A-2F	14-1/2	368	20-1/2	521	21	533	13	330	13-3/8	340	15-1/4	387	12-1/4	311	2-3/4	70	3-7/8	98
C33-30B-2F	17-1/2	445	20-1/2	521	21	533	16	406	16-3/8	416	15-1/4	387	12-1/4	311	3	76	4-1/8	105
C33-30C-2F	21	533	20-1/2	521	21	533	19-1/2	495	19-7/8	505	15-1/4	387	12-1/4	311	3	76	4-1/8	105
C33-36A-2F	14-1/2	368	24-1/2	622	21	533	13	330	13-3/8	340	19-1/4	489	16-3/8	416	2-3/4	70	3-7/8	98
C33-36B-2F	17-1/2	445	24-1/2	622	21	533	16	406	16-3/8	416	18-5/8	473	15-5/8	397	3	76	4-1/8	105
C33-36C-2F	21	533	24-1/2	622	21	533	19-1/2	495	19-7/8	505	19-5/8	498	16-5/8	422	4-3/4	121	3-5/8	92
C33-38A-2F	14-1/2	368	24-1/2	622	21	533	13	330	13-3/8	340	18-1/4	464	15-3/8	391	2-3/4	70	3-7/8	98
C33-38B-2F	17-1/2	445	24-1/2	622	21	533	16	406	16-3/8	416	18-3/8	467	15-1/2	394	2-3/4	70	3-7/8	98
C33-42B-2F	17-1/2	445	24-1/2	622	21	533	16	406	16-3/8	416	18-5/8	467	15-5/8	397	3	76	4-1/8	105
C33-44C-2F	21	533	24-1/2	622	21	533	19-1/2	495	19-7/8	505	19-1/2	495	16-1/2	419	4-1/4	108	5-3/8	137

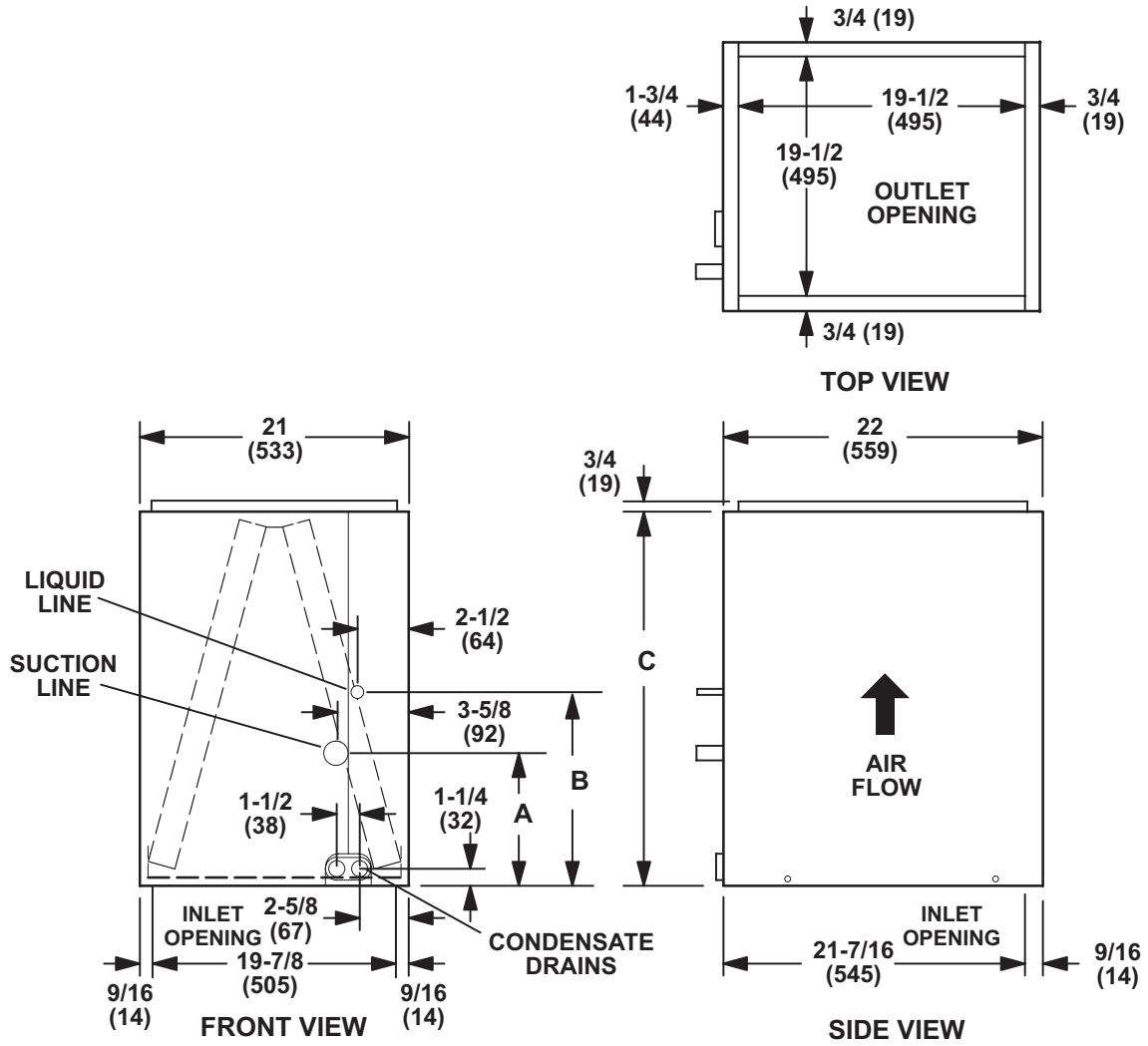
**C33-18A, 19A, -25, -31, -43, -48, -50/60C, -60D and -62D Coils**  
 (NOTE - See next page for C33-49C-2F and C33-62C-2F Coils)

**NOTE- C33-60D and C33-62D coils are positioned in cabinet with coil running left to right, all other coil sizes are positioned like drawing.**



Model Number	A		B		C		D		E		F		G		H		J	
	in.	mm	in.	mm	in.	mm	in.	mm	in.	mm	in.	mm	in.	mm	in.	mm	in.	mm
C33-18A-2F	14-1/2	368	12-1/2	318	21	533	13	330	13-3/8	340	7-1/2	191	10-1/2	267	1-3/4	44	2-7/8	73
C33-19A-2F	14-1/2	368	16-1/2	419	21	533	13	330	13-3/8	340	10-7/8	276	13-7/8	353	3	76	3-7/8	98
C33-25A-2F	14-1/2	368	18-1/2	470	21	533	13	330	13-3/8	340	12-7/8	327	15-7/8	403	3	76	3-7/8	98
C33-25B-2F	17-1/2	445	18-1/2	470	21	533	16	406	16-3/8	416	12-7/8	327	15-7/8	403	3-1/4	83	4-1/8	105
C33-31A-2F	14-1/2	368	22-1/2	572	21	533	13	330	13-3/8	340	12-3/8	314	15-3/8	391	1-1/2	38	2-3/8	60
C33-31B-2F	17-1/2	445	22-1/2	572	21	533	16	406	16-3/8	416	12-3/8	314	15-3/8	391	3-1/4	83	4-1/8	105
C33-43B-2F	17-1/2	445	27-1/2	699	21	533	16	406	16-3/8	416	16-3/4	425	19-3/4	502	3-1/4	83	4-1/8	105
C33-43C-2F	21	533	27-1/2	699	21	533	19-1/2	495	19-7/8	505	16-3/4	425	19-3/4	502	2-3/4	70	3-5/8	92
C33-48B-2F	17-1/2	445	24-1/2	622	21	533	16	406	16-3/8	416	9-3/4	248	12-3/4	324	3	76	4-1/8	105
C33-48C-2F	21	533	24-1/2	622	21	533	19-1/2	495	19-7/8	505	12-3/4	324	15-3/4	400	2-1/2	64	3-5/8	92
C33-50/60C-2F	21	533	27-1/2	699	21	533	19-1/2	495	19-7/8	505	16-1/2	419	19-1/2	495	2-1/2	64	3-5/8	92
C33-60D-2F	24-1/2	622	25-1/2	648	21	533	23	584	23-3/8	594	11-7/8	302	14-7/8	518	1-5/8	41	2-3/4	70
C33-62D-2F	24-1/2	622	29-1/2	749	21	533	23	584	23-3/8	594	18-7/8	479	21-7/8	556	1-5/8	41	2-3/4	70

**C33-49C-2F and C33-62C-2F**



Model Number	A		B		C	
	in.	mm	in.	mm	in.	mm
<b>C33-49C-2F</b>	15-7/8	403	18-3/4	476	29-1/2	749
<b>C33-62C-2F</b>	18-7/8	479	21-7/8	556	31-1/2	800



Visit us at [www.lennox.com](http://www.lennox.com)

For the latest technical information, [www.lennox.com](http://www.lennox.com)

Contact us at 1-800-4-LENNOX

NOTE - Due to Lennox' ongoing commitment to quality, Specifications, Ratings and Dimensions subject to change without notice and without incurring liability. Improper installation, adjustment, alteration, service or maintenance can cause property damage or personal injury. Installation and service must be performed by a qualified installer and servicing agency.