



Upflow - Cased - Air Conditioning Only

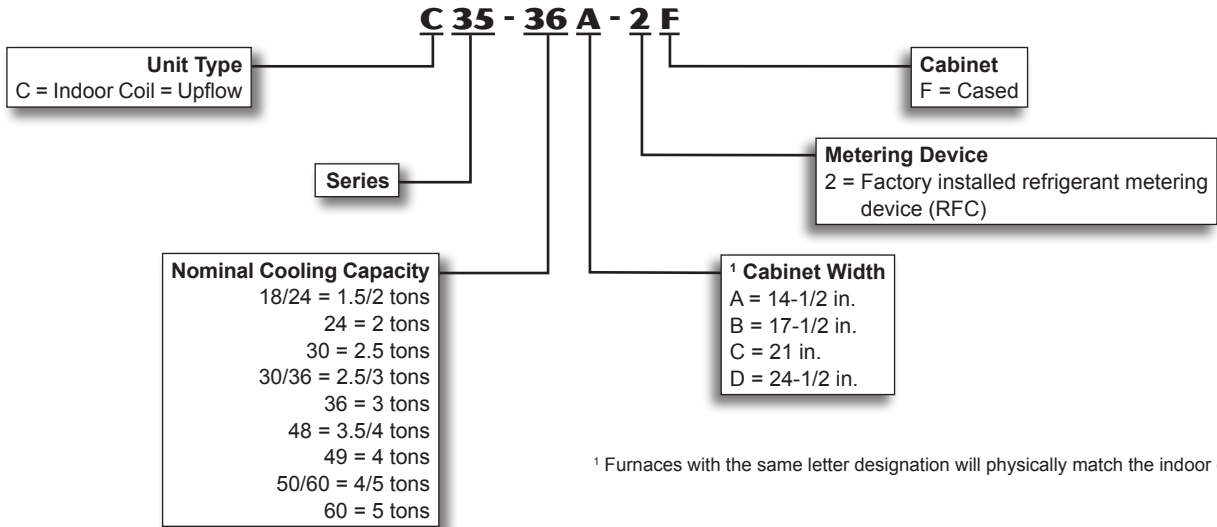
Bulletin No. 210666  
June 2015

PRODUCT SPECIFICATIONS



1.5 to 5 Tons

MODEL NUMBER IDENTIFICATION



FEATURES

CONTENTS

- Air Resistance..... 4
- C33 To C35 Cross-Reference..... 8
- Dimensions ..... 5
- Features..... 1
- Model Number Identification ..... 1
- Specifications..... 2

WARRANTY

**All Covered Components** - Limited warranty for five years in residential applications, one year warranty in non-residential applications. Refer to Lennox Equipment Limited Warranty certificate included with equipment for details.

APPLICATIONS

*NOTE - For use with air conditioners only.*

Lennox designed upflow cased indoor coils can easily be installed with most Lennox upflow furnaces. Applicable to expansion valve or RFCIV systems. RFCIV metering device is factory installed in C35 coils. RFCIV systems are applicable to certain air conditioners only. Expansion valve systems require field installed kit. See Product Specifications in section Air Conditioners for indoor coil applications and cooling capacities.

## FEATURES

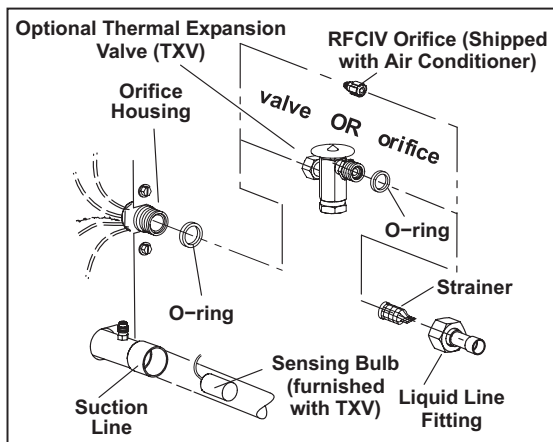
### TESTING

Tested with matching air conditioner units.  
 Rated in accordance with AHRI Standard 210/240-2008 conditions and DOE test procedures.  
 Air resistance tests from Lennox Laboratory air test chamber.

### COIL CONSTRUCTION

Aluminum tubing, hairpins, distributor and header tubes.  
 Copper refrigerant sweat connections on both liquid and suction lines for easy brazing.  
 Ripple-edged aluminum fins.  
 Lanced fins provide maximum exposure of fin surface to air stream.  
 Rifled tubing provides superior refrigerant heat transfer.  
 Twin coil construction assembled in a A" configuration for large surface area.  
 Non-corrosive, UV-resistant polymer drain pan with dual fpt drain connections.  
 Liquid line seal nut section furnished for installation of expansion valve.  
 High pressure testing insures leakproof construction.

### REFRIGERANT CONTROL CHOICE



All models applicable to Lennox RFCIV refrigerant metering system when matched with specific air conditioners.

See Air Conditioners bulletins for applications.

*NOTE - In certain application the RFC orifice furnished with the coil must be replaced with the orifice furnished with the air conditioner. Refer to the air conditioner bulletin to determine if replacement is required.*

Optional expansion valve is required in most applications and must be ordered separately.

### Refrigerant Flow Control IV

RFCIV accurately meters refrigerant in system.  
 Refrigerant control is accomplished by exact sizing of refrigerant metering orifice.  
 Principle of Lennox RFCIV system involves matching evaporator coil with proper bore size of orifice in metering device.  
 RFCIV system equalizes pressure shortly after compressor stops, unit starts unloaded, eliminating need for additional controls.

### Optional Accessories

#### Expansion Valve Kits

Expansion valve available for field installation.  
 See Air Conditioners Product Specifications for expansion valve kit selection.

### CABINET

Cabinets insulated with thick fiberglass insulation.  
 Constructed of pre-painted heavy gauge steel.  
 Flanges provided in outlet opening of cabinet for ease of plenum connection.  
 Engaging holes furnished on cabinet for alignment with furnace.  
 Removable panels provide access to coil.  
 See dimension drawing.

#### Furnace Match-Up

Coils exactly match corresponding furnaces with same letter designation in model number. No adaptor required.  
 Engaging holes furnished on cabinet for alignment.

## SPECIFICATIONS

### 1.5 TO 2 TON

General Data		Model No.	C35-18/24A-2F	C35-18/24B-2F	C35-24A-2F	C35-24B-2F
Nominal size - Tons			1.5 / 2	1.5 / 2	2	2
Line Connections in.	Suction / vapor o.d. - sweat		3/4	3/4	3/4	3/4
	Liquid o.d. - sweat		3/8	3/8	3/8	3/8
	Condensate drain (fpt)		(2) 3/4	(2) 3/4	(2) 3/4	(2) 3/4
RFCIV metering device orifice size			0.053	0.053	0.057	0.057
Indoor Coil	Net face area sq. ft.		3.11	3.11	3.55	3.55
	Tube diameter - in.		3/8	3/8	3/8	3/8
	Number of rows		2	2	3	3
	Fins per inch		18	18	14	14
Matching Lennox Furnace - Cabinet Width Designation			A	B	A	B
Coil & Furnace Cabinet Width - in.			14-1/2	17-1/2	14-1/2	17-1/2
Shipping Data - lbs.			30	34	38	43

<b>SPECIFICATIONS</b>		<b>2.5 TO 3 TON</b>			
General Data	Model No.	C35-30A-2F	C35-30B-2F	C35-30/36A-2F	C35-30/36B-2F
	Nominal size - Tons	2.5	2.5	2.5 / 3	2.5 / 3
Line Connections in.	Suction / vapor o.d. - sweat	3/4	3/4	3/4	3/4
	Liquid o.d. - sweat	3/8	3/8	3/8	3/8
	Condensate drain (fpt)	(2) 3/4	(2) 3/4	(2) 3/4	(2) 3/4
RFCIV metering device orifice size		0.067	0.067	0.057	0.057
Indoor Coil	Net face area sq. ft.	4.44	4.44	4.89	5.77
	Tube diameter - in.	3/8	3/8	3/8	3/8
	Number of rows	3	3	2	2
	Fins per inch	13	13	18	18
Matching Lennox Furnace - Cabinet Width Designation		A	B	A	B
Coil & Furnace Cabinet Width - in.		14-1/2	17-1/2	14-1/2	17-1/2
Shipping Data - lbs.		45	50	41	45

<b>SPECIFICATIONS</b>		<b>2.5 TO 4 TON</b>				
General Data	Model No.	C35-30/36C-2F	C35-36A-2F	C35-36B-2F	C35-48B-2F	C35-48C-2F
	Nominal size - Tons	2.5 / 3	3	3	3.5 / 4	3.5 / 4
Line Connections in.	Suction / vapor o.d. - sweat	3/4	3/4	3/4	7/8	7/8
	Liquid o.d. - sweat	3/8	3/8	3/8	3/8	3/8
	Condensate drain (fpt)	(2) 3/4	(2) 3/4	(2) 3/4	(2) 3/4	(2) 3/4
RFCIV metering device orifice size		0.057	0.070	0.070	0.071	0.071
Indoor Coil	Net face area sq. ft.	5.77	4.89	4.89	5.77	5.77
	Tube diameter - in.	3/8	3/8	3/8	3/8	3/8
	Number of rows	2	3	3	3	2
	Fins per inch	18	14	14	13	13
Matching Lennox Furnace - Cabinet Width Designation		C	A	B	B	C
Coil & Furnace Cabinet Width - in.		21	14-1/2	17-1/2	17-1/2	21
Shipping Data - lbs.		48	46	50	55	60

<b>SPECIFICATIONS</b>		<b>4 TO 5 TON</b>			
General Data	Model No.	C35-49C-2F	C35-50/60C-2F	C35-60C-2F	C35-60D-2F
	Nominal size - Tons	4	4 / 5	5	5
Line Connections in.	Suction / vapor o.d. - sweat	7/8	7/8	7/8	7/8
	Liquid o.d. - sweat	3/8	3/8	3/8	3/8
	Condensate drain (fpt)	(2) 3/4	(2) 3/4	(2) 3/4	(2) 3/4
RFCIV metering device orifice size		0.076	0.070	0.077	0.077
Indoor Coil	Net face area sq. ft.	7.0	5.78	7.50	7.58
	Tube diameter - in.	3/8	3/8	3/8	3/8
	Number of rows	3	3	3	3
	Fins per inch	15	12	16	14
Matching Lennox Furnace - Cabinet Width Designation		C	C	C	D
Coil & Furnace Cabinet Width - in.		21	21	21	24-1/2
Shipping Data - lbs.		70	60	73	72

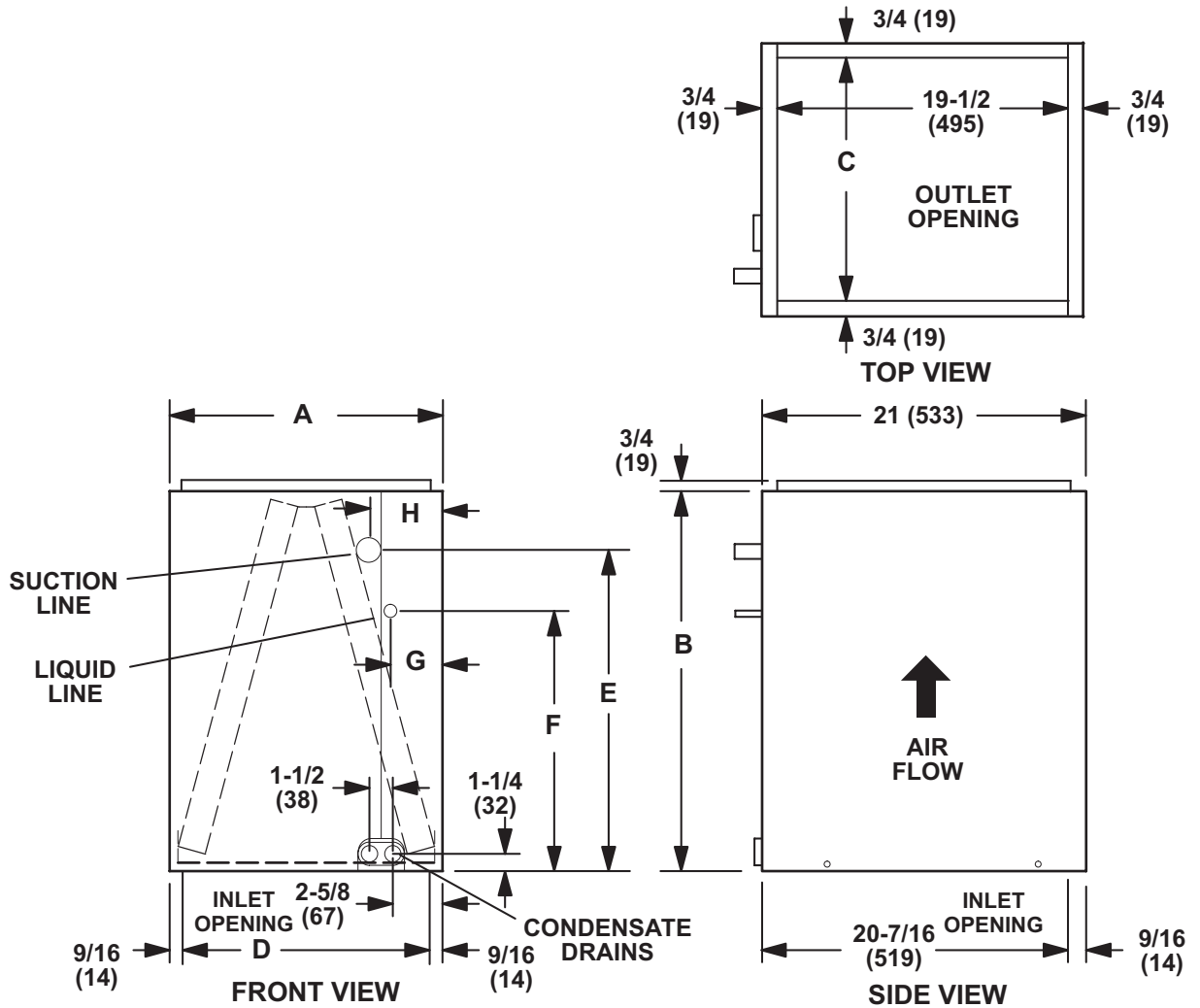
## AIR RESISTANCE

Model No.	Air Volume cfm	Total Resistance	
		Dry Coil	Wet Coil
		in. w.g.	in. w.g.
<b>C35-18/24A-2F</b> <b>C35-18/24B-2F</b>	400	0.06	0.08
	600	0.11	0.17
	800	0.18	0.25
	1000	0.27	0.39
	1200	0.37	0.52
<b>C35-24A-2F</b>	400	0.05	0.05
	600	0.09	0.10
	800	0.16	0.18
	1000	0.23	0.26
	1200	0.32	0.36
<b>C35-24B-2F</b>	400	0.03	0.04
	600	0.07	0.09
	800	0.11	0.15
	1000	0.17	0.22
	1200	0.23	0.31
<b>C35-30A-2F</b>	600	0.07	0.08
	800	0.12	0.13
	1000	0.18	0.20
	1200	0.26	0.28
	1400	0.34	0.37
<b>C35-30B-2F</b>	600	0.06	0.06
	800	0.09	0.11
	1000	0.13	0.16
	1200	0.19	0.23
	1400	0.25	0.31
<b>C35-30/36A-2F</b>	800	0.13	0.14
	1000	0.19	0.21
	1200	0.27	0.30
	1400	0.34	0.39
	1600	0.45	0.51
<b>C35-30/36B-2F</b> <b>C35-30/36C-2F</b> <b>C35-36B-2F</b>	800	0.08	0.11
	1000	0.13	0.16
	1200	0.17	0.21
	1400	0.22	0.28
	1600	0.29	0.34

Model No.	Air Volume cfm	Total Resistance	
		Dry Coil	Wet Coil
		in. w.g.	in. w.g.
<b>C35-36A-2F</b>	800	0.13	0.14
	1000	0.19	0.21
	1200	0.27	0.30
	1400	0.34	0.39
	1600	0.45	0.51
	1800	0.57	0.65
<b>C35-48B-2F</b>	1000	0.13	0.13
	1200	0.18	0.18
	1400	0.23	0.24
	1600	0.30	0.31
	1800	0.37	0.40
<b>C35-48C-2F</b>	1000	0.07	0.09
	1200	0.10	0.12
	1400	0.13	0.16
	1600	0.16	0.20
	1800	0.20	0.24
<b>C35-49C-2F</b>	1200	0.08	0.12
	1400	0.13	0.17
	1600	0.17	0.22
	1800	0.22	0.28
	2000	0.28	0.35
<b>C35-50/60C-2F</b>	1200	0.13	0.17
	1400	0.18	0.23
	1600	0.23	0.29
	1800	0.28	0.37
	2000	0.34	0.43
<b>C35-60D-2F</b>	1400	0.11	0.15
	1600	0.14	0.18
	1800	0.17	0.21
	2000	0.21	0.27
	2200	0.25	0.32
	2400	0.30	0.37
<b>C35-60C-2F</b>	1400	0.15	0.19
	1600	0.19	0.23
	1800	0.24	0.28
	2000	0.29	0.34
	2200	0.33	0.40
	2400	0.39	0.46

## DIMENSIONS - INCHES (MM)

C35-18/24(A/B), -30/36(A/B/C), -36(A/B) Coils

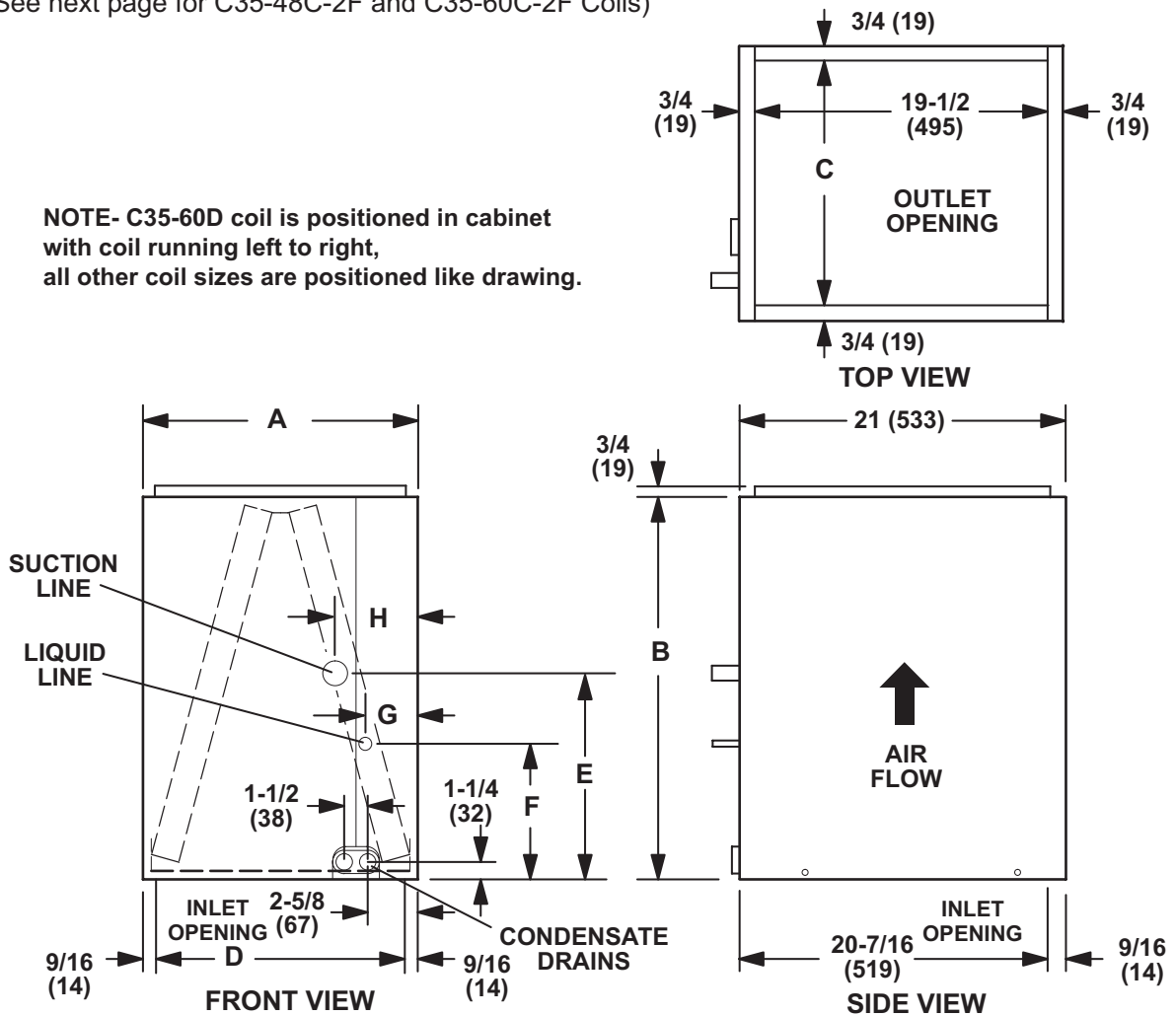


Model Number	A		B		C		D		E		F		G		H	
	in.	mm	in.	mm	in.	mm	in.	mm	in.	mm	in.	mm	in.	mm	in.	mm
C35-18/24A-2F	14-1/2	368	16-1/2	419	13	330	13-3/8	340	7-3/8	187	3-1/2	89	3	76	3-7/8	98
C35-18/24B-2F	17-1/2	445	16-1/2	419	16	406	16-3/8	416	7	178	3-1/2	89	3	76	3-7/8	98
C35-30/36A-2F	14-1/2	368	24-1/2	622	13	330	13-3/8	340	14-1/4	362	4-3/4	121	3	76	3-7/8	98
C35-30/36B-2F	17-1/2	445	24-1/2	622	16	406	16-3/8	416	13-3/8	340	4-3/4	121	3	76	4-1/8	108
C35-30/36C-2F	21	533	24-1/2	622	19-1/2	495	19-7/8	505	14-3/8	365	4-3/4	121	3	76	3-5/8	92
C35-36A-2F	14-1/2	368	24-1/2	622	13	330	13-3/8	340	13-1/2	343	4-3/4	121	2	52	3-1/4	83
C35-36B-2F	17-1/2	445	24-1/2	622	16	406	16-3/8	416	13-3/4	350	4-3/4	121	2-5/8	67	3-7/8	98

## DIMENSIONS - INCHES (MM)

**C35-24(A/B), -30(A/B), -48(B/C), -50/60C and -60D Coils**  
 (NOTE - See next page for C35-48C-2F and C35-60C-2F Coils)

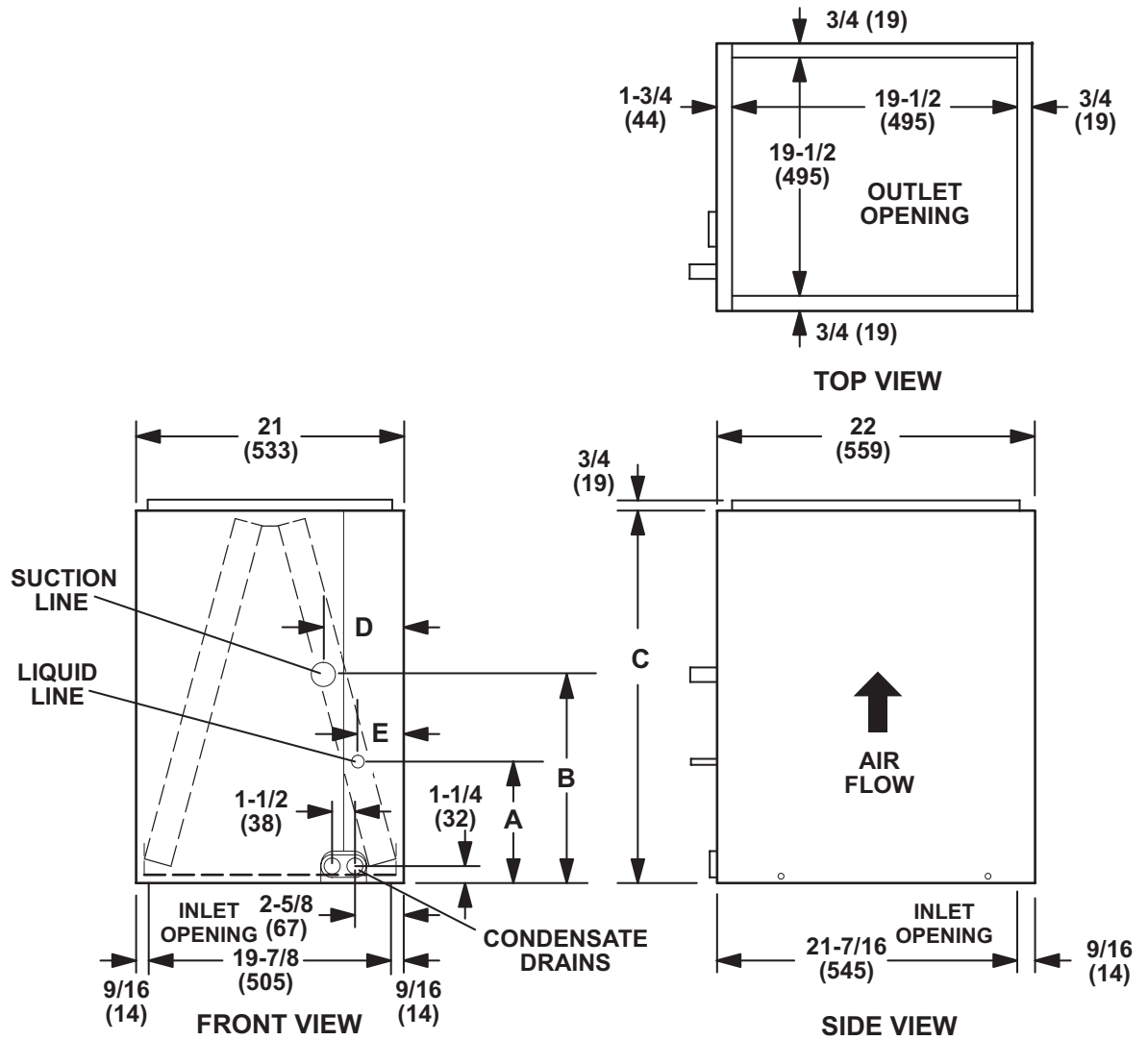
**NOTE- C35-60D coil is positioned in cabinet with coil running left to right, all other coil sizes are positioned like drawing.**



Model Number	A		B		C		D		E		F		G		H	
	in.	mm	in.	mm	in.	mm	in.	mm	in.	mm	in.	mm	in.	mm	in.	mm
C35-24A-2F	14-1/2	368	18-1/2	470	13	330	13-3/8	340	10-1/8	257	3-3/8	86	3	76	3-7/8	98
C35-24B-2F	17-1/2	445	18-1/2	470	16	406	16-3/8	416	10	254	3-1/2	89	3	76	3-7/8	98
C35-30A-2F	14-1/2	368	22-1/2	572	13	330	13-3/8	340	12	305	3-3/8	86	3	76	3-7/8	98
C35-30B-2F	17-1/2	445	22-1/2	572	16	406	16-3/8	416	10-1/2	267	3-3/8	86	3	76	3-7/8	98
C35-48B-2F	17-1/2	445	27-1/2	699	16	406	16-3/8	416	12-7/8	327	3-7/8	98	3	76	4	102
C35-48C-2F	21	533	27-1/2	699	19-1/2	495	19-7/8	505	12-1/2	318	4-3/4	121	2-3/4	70	3-1/2	89
C35-50/60C-2F	21	533	27-1/2	699	19-1/2	495	19-7/8	505	12-1/2	318	4-3/4	121	2-3/4	70	3-1/2	89
C35-60D-2F	24-1/2	622	29-1/2	749	23	584	23-3/8	594	15-1/8	384	4-1/2	121	1-5/8	41	2-5/8	67

# DIMENSIONS - INCHES (MM)

## C35-49C-2F and C35-60C-2F



Model Number	A		B		C		D		E	
	in.	mm	in.	mm	in.	mm	in.	mm	in.	mm
C35-49C-2F	4-3/4	121	12-1/8	308	29-1/2	749	3-3/8	86	2-1/2	64
C35-60C-2F	4-3/4	121	14-1/2	368	31-1/2	800	3-3/8	86	2-1/2	64

## C33 TO C35 CROSS-REFERENCE

C33 Model No.	Tons	Order No.	C35 Model No.	Tons	Order No.
C33-18A-2F	1.5	<b>54M79</b>	C35-18/24A-2F	1.5 - 2	<b>10C61</b>
C33-24A-2F	2	<b>76L16</b>	C35-18/24A-2F	1.5 - 2	<b>10C61</b>
C33-24B-2F	2	<b>76L20</b>	C35-18/24B-2F	1.5 - 2	<b>10C62</b>
<sup>1</sup> C33-24C-2F	2	<b>70M23</b>	<sup>1</sup> C35-18/24B-2F	1.5 - 2	<b>10C62</b>
C33-19A-2F	1.5	<b>84M98</b>	C35-24A-2F	2	<b>10C63</b>
C33-25A-2F	2	<b>84M99</b>	C35-24A-2F	2	<b>10C63</b>
C33-25B-2F	2	<b>85M00</b>	C35-24B-2F	2	<b>10C64</b>
C33-31A-2F	2.5	<b>85M01</b>	C35-30A-2F	2.5	<b>10C67</b>
C33-31B-2F	2.5	<b>85M02</b>	C35-30B-2F	2.5	<b>10C68</b>
C33-30A-2F	2.5	<b>76L17</b>	C35-30/36A-2F	2.5 - 3	<b>10C69</b>
C33-36A-2F	3	<b>76L18</b>	C35-30/36A-2F	2.5 - 3	<b>10C69</b>
C33-30B-2F	2.5	<b>76L21</b>	C35-30/36B-2F	2.5 - 3	<b>10C70</b>
C33-36B-2F	3	<b>76L22</b>	C35-30/36B-2F	2.5 - 3	<b>10C70</b>
C33-30C-2F	2.5	<b>70M24</b>	C35-30/36C-2F	2.5 - 3	<b>10C71</b>
C33-36C-2F	3	<b>76L26</b>	C35-30/36C-2F	2.5 - 3	<b>10C71</b>
C33-38A-2F	3	<b>76L19</b>	C35-36A-2F	3	<b>10C72</b>
C33-38B-2F	3	<b>76L23</b>	C35-36B-2F	3	<b>10C73</b>
C33-42B-2F	3.5	<b>76L24</b>	C35-48B-2F	3.5 - 4	<b>10C74</b>
C33-43B-2F	3.5	<b>85M03</b>	C35-48B-2F	3.5 - 4	<b>10C74</b>
C33-48B-2F	4	<b>76L25</b>	C35-48B-2F	3.5 - 4	<b>10C74</b>
C33-43C-2F	3.5	<b>85M04</b>	C35-48C-2F	3.5 - 4	<b>10C75</b>
C33-44C-2F	3.5 - 4	<b>76L27</b>	C35-48C-2F	3.5 - 4	<b>10C75</b>
C33-48C-2F	3.5 - 4	<b>76L28</b>	C35-49C-2F	4	<b>10C77</b>
C33-49C-2F	4	<b>85M05</b>	C35-49C-2F	4	<b>10C77</b>
C33-50/60C-2F	4- 5	<b>54M80</b>	C35-50/60C-2F	4 - 5	<b>10C78</b>
C33-62C-2F	5	<b>85M06</b>	C35-60C-2F	5	<b>10C79</b>
C33-60D-2F	5	<b>54M81</b>	C35-60D-2F	5	<b>10C80</b>
C33-62D-2F	5	<b>54M82</b>	C35-60D-2F	5	<b>10C80</b>

<sup>1</sup> Coil widths do not match between C33 and C35 models.



Visit us at [www.lennox.com](http://www.lennox.com)

For the latest technical information, [www.lennox.com](http://www.lennox.com)

Contact us at 1-800-4-LENNOX

NOTE - Due to Lennox' ongoing commitment to quality, Specifications, Ratings and Dimensions subject to change without notice and without incurring liability. Improper installation, adjustment, alteration, service or maintenance can cause property damage or personal injury. Installation and service must be performed by a qualified installer and servicing agency.

©2015 Lennox Industries, Inc.