



PRODUCT SPECIFICATIONS

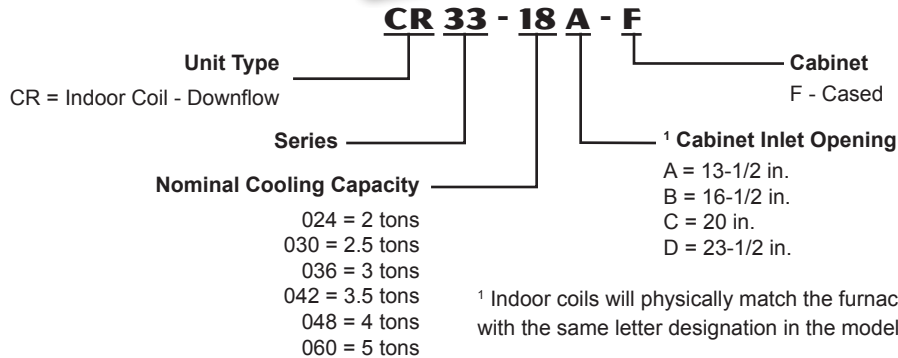
Bulletin No. 210419

May 2010

Supersedes September 2009



1.5 to 5 Tons



FEATURES

CONTENTS

Air Resistance.	3
Dimensions	4
Features.	1
Specifications	2

WARRANTY

All covered components limited warranty for five years in residential applications, one year warranty in non-residential applications.
 Refer to Lennox Equipment Limited Warranty certificate included with equipment for details.

APPLICATIONS

Lennox designed downflow indoor coils can easily be installed with most Lennox downflow furnaces.
 Applicable to expansion valve or RFCIV systems.
 Expansion valve systems require optional field installed kit.
 See bulletins in section Air Conditioners for cooling capacities.
 See bulletins in section Heat Pump Outdoor Units for cooling and heating capacities.

TESTED

Tested with matching air conditioners and heat pump units.
 Rated in accordance with AHRI Standard 210/240 conditions and DOE test procedures.
 Air resistance tests from Lennox Laboratory air test chamber.

CABINET

Cabinets insulated with thick fiberglass insulation.
 Constructed of painted, heavy-gauge steel.
 Coil slides out of cabinet for ease of servicing
 Removable panels provide access to coil.
 Refrigerant lines extend outside of cabinet for easy installation.
 See dimension drawing.

Furnace Match-Up

Coil inlet openings match corresponding Lennox furnace supply air openings with same letter designation in the model number. No adaptor required.
 See Coil/Furnace Match-Up Charts in this bulletin for additional information.

FEATURES

REFRIGERANT SYSTEM

Coil Construction

Durable copper tubing.

Ripple-edged aluminum fins.

Lanced fins provide maximum exposure of fin surface to air stream.

Rifled tubing provides superior refrigerant heat transfer.

Twin coil construction assembled in a "V" configuration for large surface area.

Corrosion resistant plastic drain pan with dual fpt drain connections.

Liquid line seal nut section furnished for installation of expansion valve or RFCIV orifice.

Suction/vapor line has 1/4 in. port external to cabinet for expansion valve usage with external equalizer.

Sweat connections on both liquid and suction lines.

High pressure testing insures leakproof construction.

Refrigerant Control Choice

All models applicable to Lennox RFCIV refrigerant metering system when matched with specific air conditioners.

See Air Conditioners bulletins for applications.

Optional expansion valve or check/expansion valve is required in most applications and must be ordered extra.

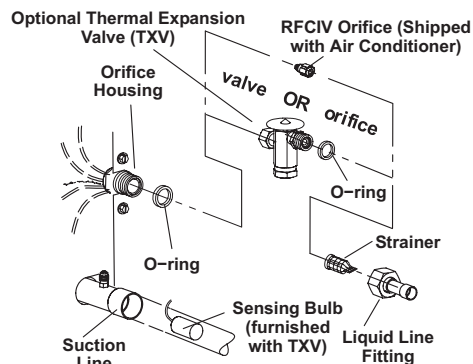
Refrigerant Flow Control IV

RFCIV accurately meters refrigerant in system.

Refrigerant control is accomplished by exact sizing of refrigerant metering orifice.

Principle of Lennox RFCIV system involves matching evaporator coil with proper bore size of orifice in metering device.

RFCIV system equalizes pressure shortly after compressor stops, unit starts unloaded, eliminating need for additional controls.



OPTIONS

Expansion Valve Kits

Expansion valve available for field installation.

See Air Conditioners and Heat Pump Outdoor Units bulletins for expansion valve/check expansion valve kit selection.

SPECIFICATIONS

1.5 TO 3 TON

General Data		Model No.	CR33-18A-F	CR33-24A-F	CR33-24B-F	CR33-30/36A-F	CR33-30/36B-F
		Nominal size - Tons	1.5	2	2	2.5/3	2.5/3
Line connections in.	Suction / vapor o.d. - sweat		7/8	7/8	7/8	7/8	7/8
	Liquid o.d. - sweat		3/8	3/8	3/8	3/8	3/8
	Condensate drain (fpt)		(2) 3/4	(2) 3/4	(2) 3/4	(2) 3/4	(2) 3/4
Indoor Coil	Net face area sq. ft.		3.5	3.21	3.21	4.08	4.08
	Tube diameter - in.		3/8	3/8	3/8	3/8	3/8
	Number of rows		2	3	3	3	3
	Fins per inch		18	12	12	12	12
Shipping weight	lbs.		44	44	49	58	57

SPECIFICATIONS

2 TO 5 TON

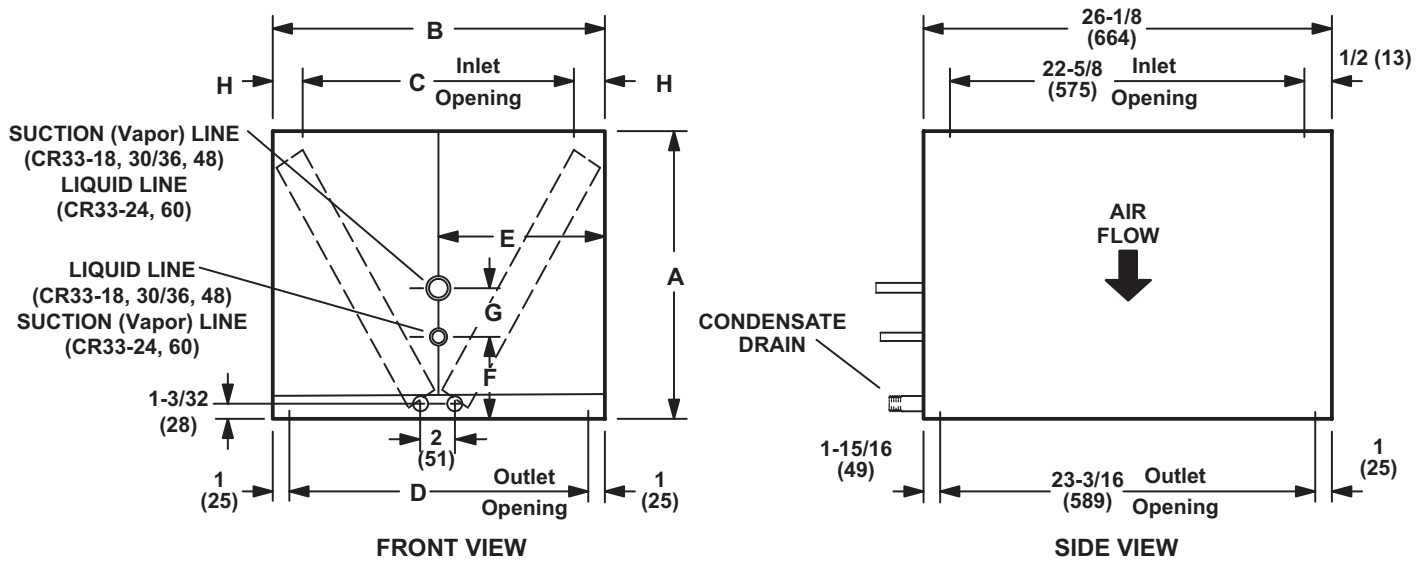
General Data		Model No.	CR33-30/36C-F	CR33-48B-F	CR33-48C-F	CR33-50/60C-F	CR33-60D-F
		Nominal size - Tons	2.5/3	4	4	4/5	5
Line connections in.	Suction / vapor o.d. - sweat		7/8	7/8	7/8	7/8	7/8
	Liquid o.d. - sweat		3/8	3/8	3/8	3/8	3/8
	Condensate drain (fpt)		(2) 3/4	(2) 3/4	(2) 3/4	(2) 3/4	(2) 3/4
Indoor Coil	Net face area sq. ft.		4.08	5.25	5.25	6.42	6.42
	Tube diameter - in.		3/8	3/8	3/8	3/8	3/8
	Number of rows		3	3	3	3	3
	Fins per inch		12	12	12	12	12
Shipping weight	lbs.		60	72	71	85	84

AIR RESISTANCE

Model No.	Dry Coil		Wet Coil	
	Air Volume	Total Resistance	Air Volume	Total Resistance
	cfm	in. w.g.	cfm	in. w.g.
CR33 -18A-F	370	0.05	255	0.05
	510	0.08	305	0.07
	645	0.10	355	0.09
	815	0.15	395	0.12
	980	0.20	435	0.15
	1115	0.25	520	0.18
	1250	0.30	600	0.20
	1395	0.35	690	0.25
	1535	0.40	775	0.30
	1645	0.45	845	0.35
	1760	0.50	920	0.39
CR33 -24A-F	315	0.05	335	0.05
	465	0.09	490	0.10
	595	0.14	600	0.15
	725	0.20	705	0.20
	825	0.25	790	0.25
	910	0.30	870	0.30
	1000	0.35	940	0.35
	1080	0.40	1020	0.40
	1225	0.50	1090	0.45
	1370	0.60	1160	0.51
	CR33 -24B-F	400	0.06	400
500		0.09	500	0.10
600		0.13	600	0.15
700		0.17	700	0.20
800		0.23	800	0.26
900		0.27	900	0.32
1000		0.33	1000	0.39
1100		0.39	1100	0.46
1200		0.47	1200	0.54
CR33 -30/36A-F	600	0.10	600	0.10
	700	0.13	700	0.14
	800	0.16	800	0.18
	900	0.20	900	0.23
	1000	0.24	1000	0.27
	1100	0.28	1100	0.32
	1200	0.33	1200	0.38
	1300	0.38	1300	0.43
CR33 -30/36B-F	525	0.05	410	0.05
	660	0.08	495	0.08
	795	0.10	580	0.10
	980	0.15	785	0.15
	1165	0.20	995	0.20
	1320	0.25	1155	0.25
	1475	0.30	1320	0.30
	1605	0.35	1465	0.35
	1735	0.40	1610	0.40
	1805	0.43	1730	0.45
	1875	0.46	1850	0.50

Model No.	Dry Coil		Wet Coil		
	Air Volume	Total Resistance	Air Volume	Total Resistance	
	cfm	in. w.g.	cfm	in. w.g.	
CR33 -30/36C-F	600	0.06	600	0.07	
	700	0.08	700	0.10	
	800	0.10	800	0.13	
	900	0.13	900	0.17	
	1000	0.16	1000	0.21	
	1100	0.19	1100	0.25	
	1200	0.22	1200	0.29	
	1300	0.26	1300	0.34	
	1400	0.29	1400	0.38	
	CR33 -48B-F	1200	0.14	1200	0.17
		1300	0.16	1300	0.20
1400		0.19	1400	0.23	
1500		0.22	1500	0.26	
1600		0.25	1600	0.29	
1700		0.28	1700	0.32	
1800		0.30	1800	0.36	
CR33 -48C-F	1900	0.34	1900	0.42	
	2000	0.37	2000	0.45	
	595	0.05	575	0.05	
	860	0.10	820	0.10	
	1060	0.15	995	0.15	
	1235	0.20	1170	0.20	
	1395	0.25	1320	0.25	
	1545	0.30	1445	0.30	
CR33 -50/60C-F	1675	0.35	1575	0.35	
	1805	0.40	1710	0.40	
	1925	0.45	1825	0.45	
	2030	0.50	1915	0.50	
	1395	0.17	1400	0.19	
	1500	0.19	1500	0.22	
	1605	0.21	1600	0.24	
	1700	0.24	1710	0.27	
CR33 -60D-F	1805	0.27	1800	0.31	
	1905	0.29	1890	0.33	
	2000	0.32	2000	0.36	
	2105	0.35	2105	0.40	
	2200	0.39	2190	0.45	
	1395	0.17	1400	0.19	
	1500	0.19	1500	0.22	
	1605	0.21	1600	0.24	
CR33 -30/36B-F	1700	0.24	1710	0.27	
	1805	0.27	1800	0.31	
	1905	0.29	1890	0.33	
	2000	0.32	2000	0.36	
	2105	0.35	2105	0.40	
	2200	0.39	2190	0.45	

DIMENSIONS - INCHES (MM)



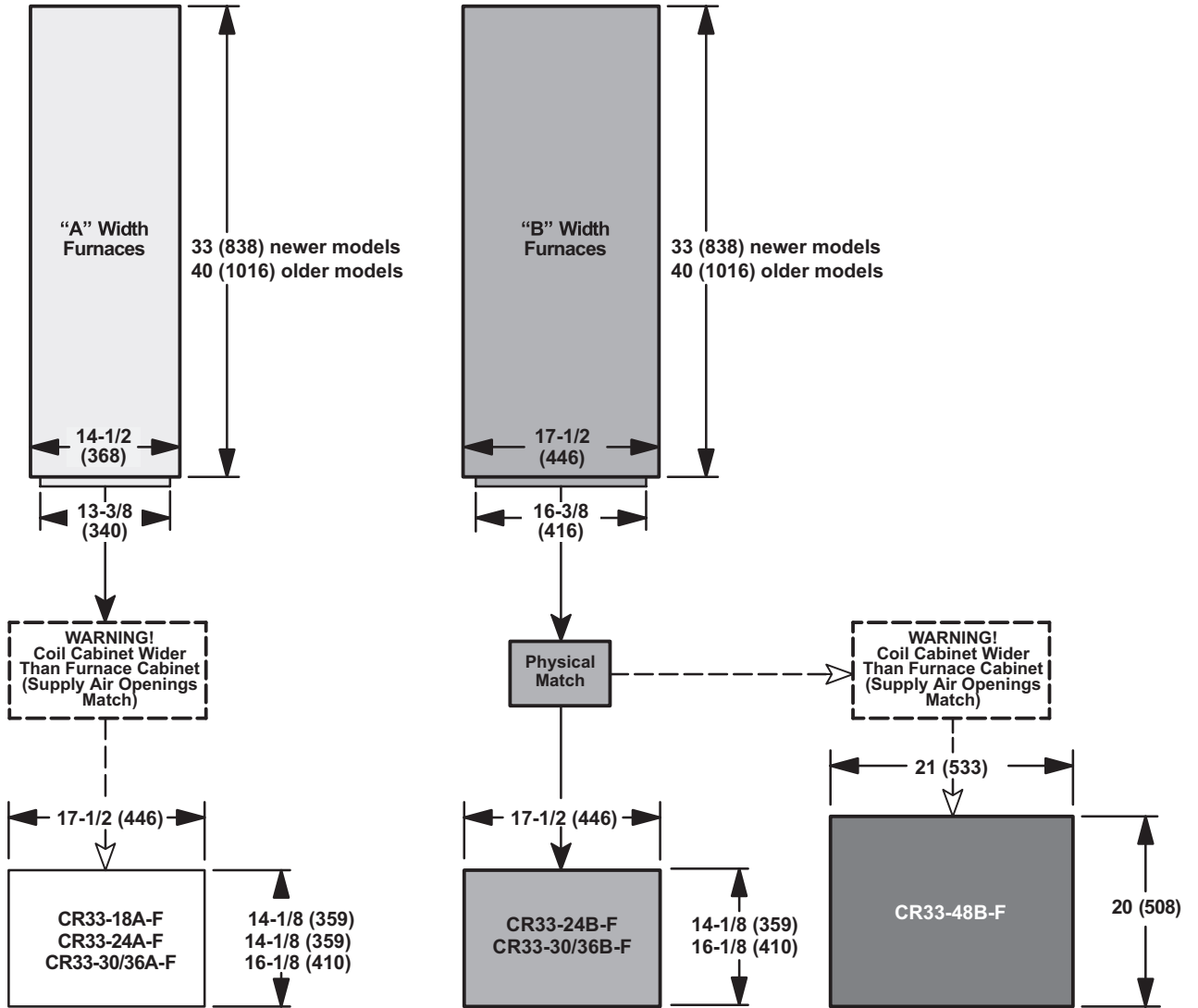
NOTE - Liquid and Suction Line locations are reversed on CR33-24 and CR33-060 models.

Model Number	A		B		C		D		E		F		G		H	
	in.	mm	in.	mm	in.	mm	in.	mm	in.	mm	in.	mm	in.	mm	in.	mm
CR33-18A-F	14-1/8	359	17-1/2	445	13-1/2	343	15-1/2	394	8-3/4	222	6-1/4	159	3	76	2	51
CR33-24A-F	14-1/8	359	17-1/2	445	13-1/2	343	15-1/2	394	8-3/4	222	6-1/4	159	3	76	2	51
CR33-24B-F	14-1/8	359	17-1/2	445	16-1/2	419	15-1/2	394	8-3/4	222	5	127	5	127	1/2	13
CR33-30/36A-F	16-1/8	410	17-1/2	445	13-1/2	343	15-1/2	394	8-3/4	222	5	127	5	127	2	51
CR33-30/36B-F	16-1/8	410	17-1/2	445	16-1/2	419	15-1/2	394	8-3/4	222	6-1/8	156	3	76	1/2	13
CR33-30/36C-F	16-1/8	410	21	533	20	508	19	483	10-1/2	267	6-1/8	156	3	76	1/2	13
CR33-48B-F	20	508	21	533	16-1/2	419	19	483	10-1/2	267	8-1/8	206	4	102	2-1/4	57
CR33-48C-F	20	508	21	533	20	508	19	483	10-1/2	267	8-1/8	206	4	102	1/2	13
CR33-50/60C-F	23-5/8	600	24-1/2	622	20	508	22-1/2	572	12-1/4	311	3-1/2	89	17-3/16	437	2-1/4	57
CR33-60D-F	23-5/8	600	24-1/2	622	23-1/2	597	22-1/2	572	12-1/4	311	3-1/2	89	17-3/16	437	1/2	13

PHYSICAL MATCHES

DOWN-FLOW GAS FURNACES - CR33 COILS

(Note - Coil opening will physically match the furnace supply air opening with the same letter designation in the model number.

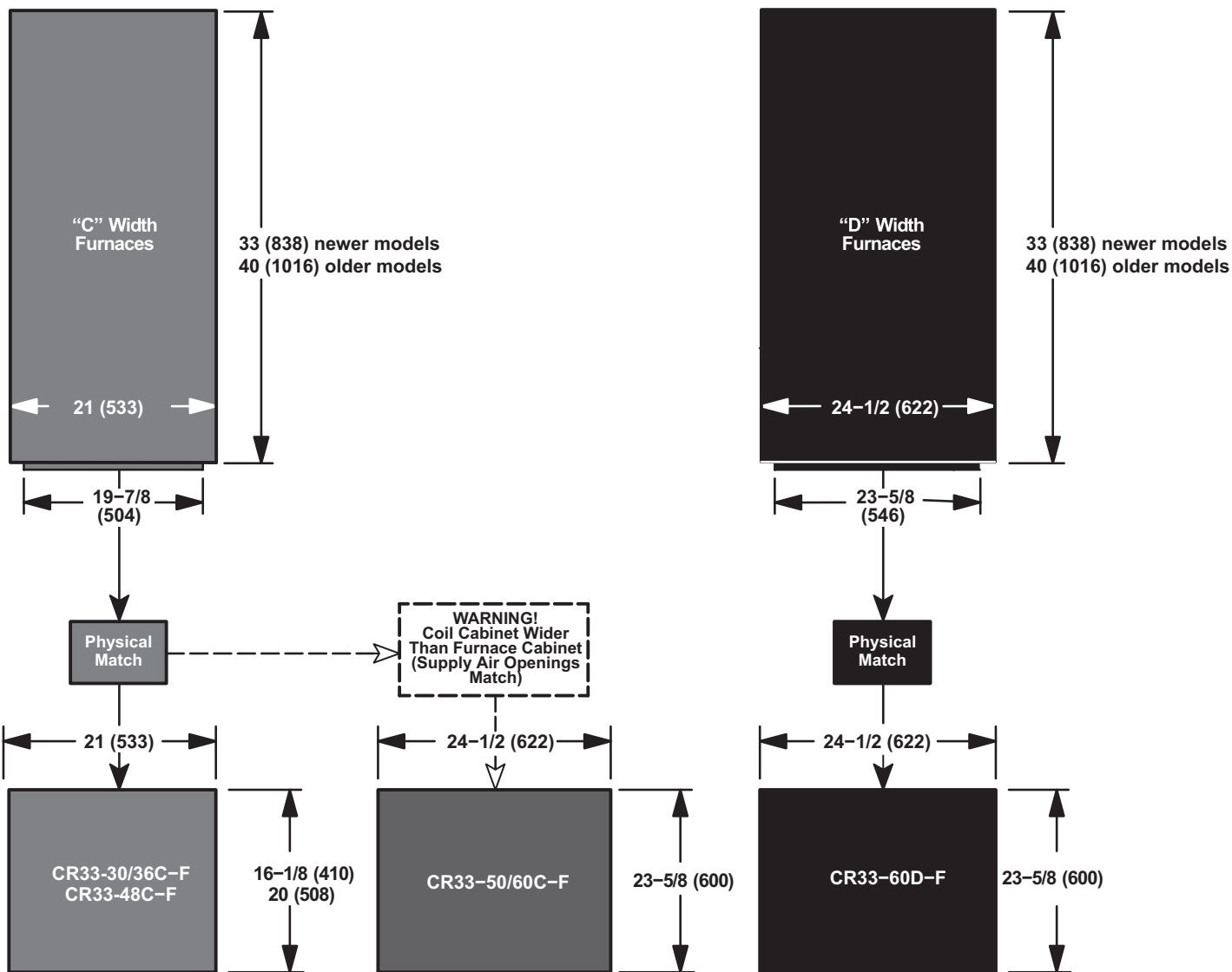


(Continued on next page)

PHYSICAL MATCHES

DOWNFLOW GAS FURNACES – CR33 COILS

(Note – Coil opening will physically match the furnace supply air opening with the same letter designation in the model number.)



REVISIONS

Sections	Description of Change
Dimensions	Revised dimensions for CR33-24 and CR33-60 models.
Specifications	Revised specifications for fins per inch.



Visit us at www.lennox.com

For the latest technical information, www.lennox.com

Contact us at 1-800-4-LENNOX

NOTE - Due to Lennox' ongoing commitment to quality, Specifications, Ratings and Dimensions subject to change without notice and without incurring liability. Improper installation, adjustment, alteration, service or maintenance can cause property damage or personal injury. Installation and service must be performed by a qualified installer and servicing agency.

©2011 Lennox Industries, Inc.