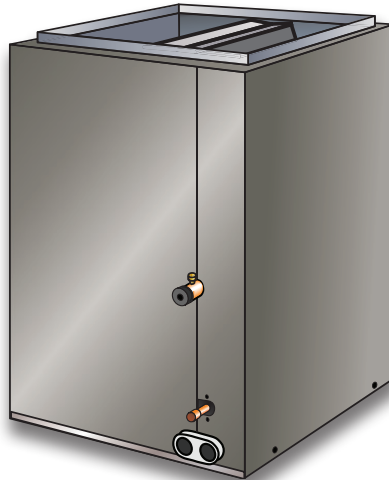




Upflow - Cased - R-410A - Air Conditioning Only

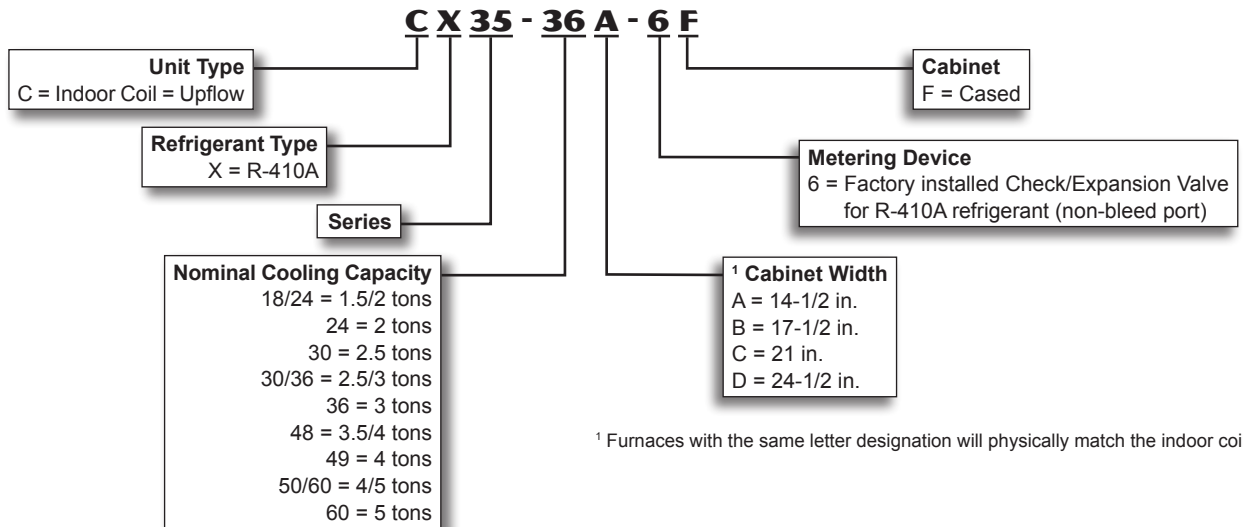
Bulletin No. 210668  
June 2015

**PRODUCT SPECIFICATIONS**



**1.5 to 5 Tons**

**MODEL NUMBER IDENTIFICATION**



**FEATURES**

**CONTENTS**

Air Resistance..... 4  
 CX34 To CX35 Cross-Reference..... 8  
 Dimensions..... 5  
 Features..... 1  
 Model Number Identification..... 1  
 Specifications..... 2

**WARRANTY**

**All Covered Components** - Limited warranty for five years in residential applications, one year warranty in non-residential applications. Refer to Lennox Equipment Limited Warranty certificate included with equipment for details.

**APPLICATIONS**

*NOTE - For use with air conditioners only.*  
 Lennox designed upflow cased indoor coils can easily be installed with most Lennox upflow furnaces. Factory installed R-410A, check/expansion valve. See Product Specifications in section Air Conditioners section for indoor coil applications and cooling capacities.

**TESTING**

Tested with matching air conditioner units.  
 Rated in accordance with AHRI Standard 210/240-2008 conditions and DOE test procedures.  
 Air resistance tests from Lennox Laboratory air test chamber.

## FEATURES

### REFRIGERANT SYSTEM

#### Coil Construction

Aluminum tubing, hairpins, distributor and header tubes.

Copper refrigerant sweat connections on both liquid and suction lines for easy brazing.

Ripple-edged aluminum fins.

Lanced fins provide maximum exposure of fin surface to air stream.

Rifled tubing provides superior refrigerant heat transfer.

Twin coil construction assembled in a "A" configuration for large surface area.

Non-corrosive, UV-resistant polymer drain pan with dual fpt drain connections.

High pressure testing insures leakproof construction.

#### Check/Expansion Valve

All models have a factory-installed, internal check/expansion valve.

For use with R-410A systems.

Wide range valve.

Chatleff style fitting.

Expansion valves are externally-equalized, non-bleed port type.



### CABINET

Cabinets insulated with thick fiberglass insulation.

Constructed of pre-painted heavy gauge steel.

Flanges provided in outlet opening of cabinet for ease of plenum connection.

Removable panels provide access to coil.

See dimension drawing.

#### Furnace Match-Up

Coils exactly match corresponding furnaces with same letter designation in model number. No adaptor required.

Engaging holes furnished on cabinet for alignment with furnace.

## SPECIFICATIONS

## 1.5 TO 2 TON

General Data	Model No.	CX35-18/24A-6F	CX35-18/24B-6F	CX35-24A-6F	CX35-24B-6F
	<b>Nominal size - Tons</b>	1.5 / 2	1.5 / 2	2	2
<b>Line Connections in.</b>	Suction / vapor o.d. - sweat	3/4	3/4	3/4	3/4
	Liquid o.d. - sweat	3/8	3/8	3/8	3/8
	Condensate drain (fpt)	(2) 3/4	(2) 3/4	(2) 3/4	(2) 3/4
<b>Indoor Coil</b>	Net face area sq. ft.	3.11	3.11	3.55	3.55
	Tube diameter - in.	3/8	3/8	3/8	3/8
	Number of rows	2	2	3	3
	Fins per inch	18	18	14	14
<b>Matching Lennox Furnace - Cabinet Width Designation</b>		A	B	A	B
<b>Coil &amp; Furnace Cabinet Width - in.</b>		14-1/2	17-1/2	14-1/2	17-1/2
<b>Shipping Data - lbs.</b>		30	34	38	43

<b>SPECIFICATIONS</b>		<b>2.5 TO 3 TON</b>			
General Data	Model No.	CX35-30A-6F	CX35-30B-6F	CX35-30/36A-6F	CX35-30/36B-6F
	Nominal size - Tons	2.5	2.5	2.5 / 3	2.5 / 3
Line Connections in.	Suction / vapor o.d. - sweat	3/4	3/4	3/4	3/4
	Liquid o.d. - sweat	3/8	3/8	3/8	3/8
	Condensate drain (fpt)	(2) 3/4	(2) 3/4	(2) 3/4	(2) 3/4
Indoor Coil	Net face area sq. ft.	4.44	4.44	4.89	5.77
	Tube diameter - in.	3/8	3/8	3/8	3/8
	Number of rows	3	3	2	2
	Fins per inch	13	13	18	18
Matching Lennox Furnace - Cabinet Width Designation		A	B	A	B
Coil & Furnace Cabinet Width - in.		14-1/2	17-1/2	14-1/2	17-1/2
Shipping Data - lbs.		45	50	41	45

<b>SPECIFICATIONS</b>		<b>2.5 TO 4 TON</b>				
General Data	Model No.	CX35-30/36C-6F	CX35-36A-6F	CX35-36B-6F	CX35-48B-6F	CX35-48C-6F
	Nominal size - Tons	2.5 / 3	3	3	3.5 / 4	3.5 / 4
Line Connections in.	Suction / vapor o.d. - sweat	3/4	3/4	3/4	7/8	7/8
	Liquid o.d. - sweat	3/8	3/8	3/8	3/8	3/8
	Condensate drain (fpt)	(2) 3/4	(2) 3/4	(2) 3/4	(2) 3/4	(2) 3/4
Indoor Coil	Net face area sq. ft.	5.77	4.89	4.89	5.77	5.77
	Tube diameter - in.	3/8	3/8	3/8	3/8	3/8
	Number of rows	2	3	3	3	2
	Fins per inch	18	14	14	13	13
Matching Lennox Furnace - Cabinet Width Designation		C	A	B	B	C
Coil & Furnace Cabinet Width - in.		21	14-1/2	17-1/2	17-1/2	21
Shipping Data - lbs.		48	46	50	55	60

<b>SPECIFICATIONS</b>		<b>4 TO 5 TON</b>			
General Data	Model No.	CX35-49C-6F	CX35-50/60C-6F	CX35-60C-6F	CX35-60D-6F
	Nominal size - Tons	4	4 / 5	5	5
Line Connections in.	Suction / vapor o.d. - sweat	7/8	7/8	7/8	7/8
	Liquid o.d. - sweat	3/8	3/8	3/8	3/8
	Condensate drain (fpt)	(2) 3/4	(2) 3/4	(2) 3/4	(2) 3/4
Indoor Coil	Net face area sq. ft.	7.0	5.78	7.50	7.58
	Tube diameter - in.	3/8	3/8	3/8	3/8
	Number of rows	3	3	3	3
	Fins per inch	15	12	16	14
Matching Lennox Furnace - Cabinet Width Designation		C	C	C	D
Coil & Furnace Cabinet Width - in.		21	21	21	24-1/2
Shipping Data - lbs.		70	60	73	72

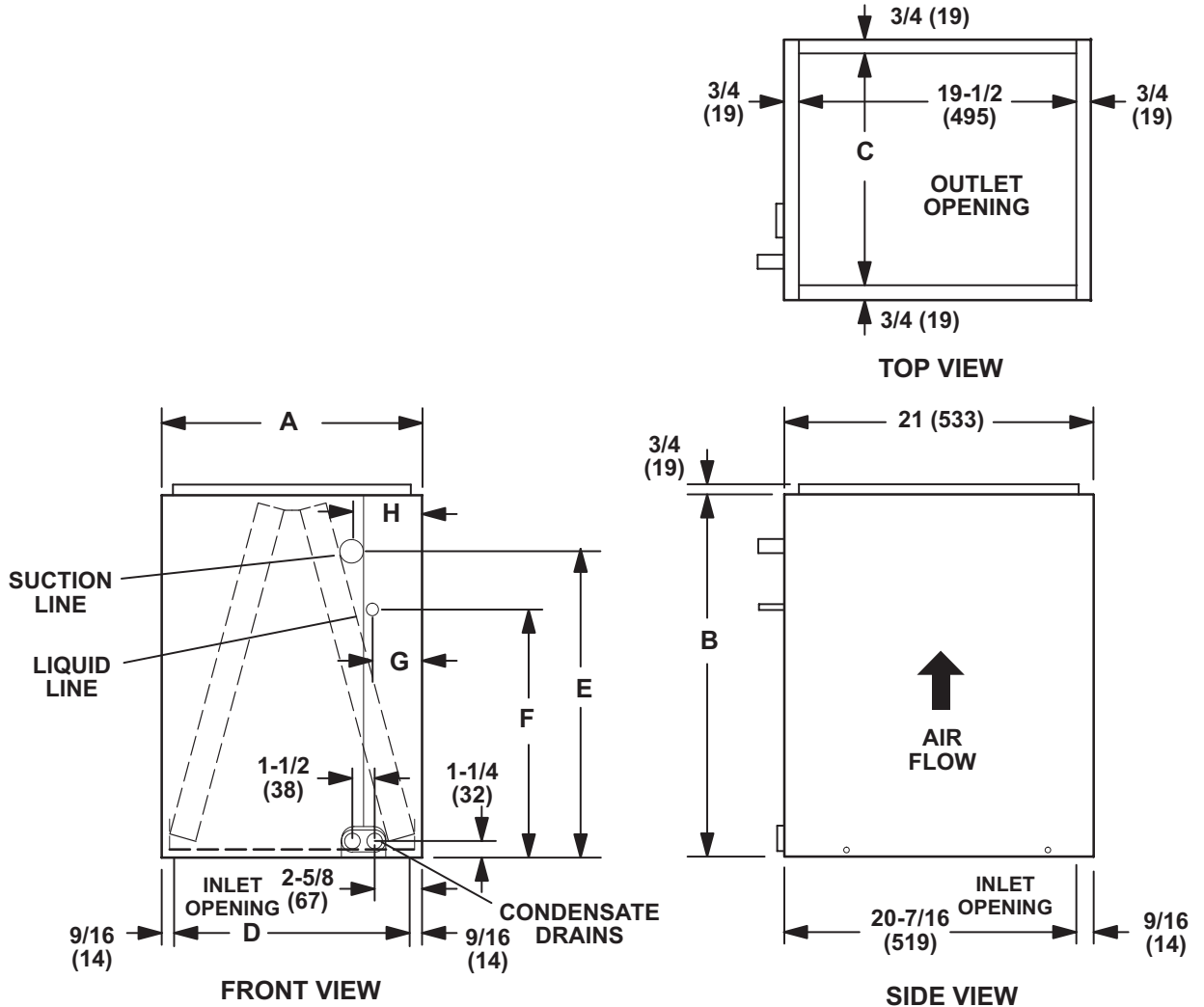
## AIR RESISTANCE

Model No.	Air Volume cfm	Total Resistance	
		Dry Coil	Wet Coil
		in. w.g.	in. w.g.
CX35-18/24A-6F CX35-18/24B-6F	400	0.06	0.08
	600	0.11	0.17
	800	0.18	0.25
	1000	0.27	0.39
	1200	0.37	0.52
CX35-24A-6F	400	0.05	0.05
	600	0.09	0.10
	800	0.16	0.18
	1000	0.23	0.26
	1200	0.32	0.36
CX35-24B-6F	400	0.03	0.04
	600	0.07	0.09
	800	0.11	0.15
	1000	0.17	0.22
	1200	0.23	0.31
CX35-30A-6F	600	0.07	0.08
	800	0.12	0.13
	1000	0.18	0.20
	1200	0.26	0.28
	1400	0.34	0.37
CX35-30B-6F	600	0.06	0.06
	800	0.09	0.11
	1000	0.13	0.16
	1200	0.19	0.23
	1400	0.25	0.31
CX35-30/36A-6F	800	0.13	0.14
	1000	0.19	0.21
	1200	0.27	0.30
	1400	0.34	0.39
	1600	0.45	0.51
CX35-30/36B-6F CX35-30/36C-6F CX35-36B-6F	800	0.08	0.11
	1000	0.13	0.16
	1200	0.17	0.21
	1400	0.22	0.28
	1600	0.29	0.34

Model No.	Air Volume cfm	Total Resistance	
		Dry Coil	Wet Coil
		in. w.g.	in. w.g.
CX35-36A-6F	800	0.13	0.14
	1000	0.19	0.21
	1200	0.27	0.30
	1400	0.34	0.39
	1600	0.45	0.51
CX35-48B-6F	1000	0.13	0.13
	1200	0.18	0.18
	1400	0.23	0.24
	1600	0.30	0.31
	1800	0.37	0.40
CX35-48C-6F	1000	0.07	0.09
	1200	0.10	0.12
	1400	0.13	0.16
	1600	0.16	0.20
	1800	0.20	0.24
CX35-49C-6F	1200	0.08	0.12
	1400	0.13	0.17
	1600	0.17	0.22
	1800	0.22	0.28
	2000	0.28	0.35
CX35-50/60C-6F	1200	0.13	0.17
	1400	0.18	0.23
	1600	0.23	0.29
	1800	0.28	0.37
	2000	0.34	0.43
CX35-60D-6F	1400	0.11	0.15
	1600	0.14	0.18
	1800	0.17	0.21
	2000	0.21	0.27
	2200	0.25	0.32
	2400	0.30	0.37
CX35-60C-6F	1400	0.15	0.19
	1600	0.19	0.23
	1800	0.24	0.28
	2000	0.29	0.34
	2200	0.33	0.40
	2400	0.39	0.46

## DIMENSIONS - INCHES (MM)

### CX35-18/24(A/B), -30/36(A/B/C) and -36(A/B) Coils

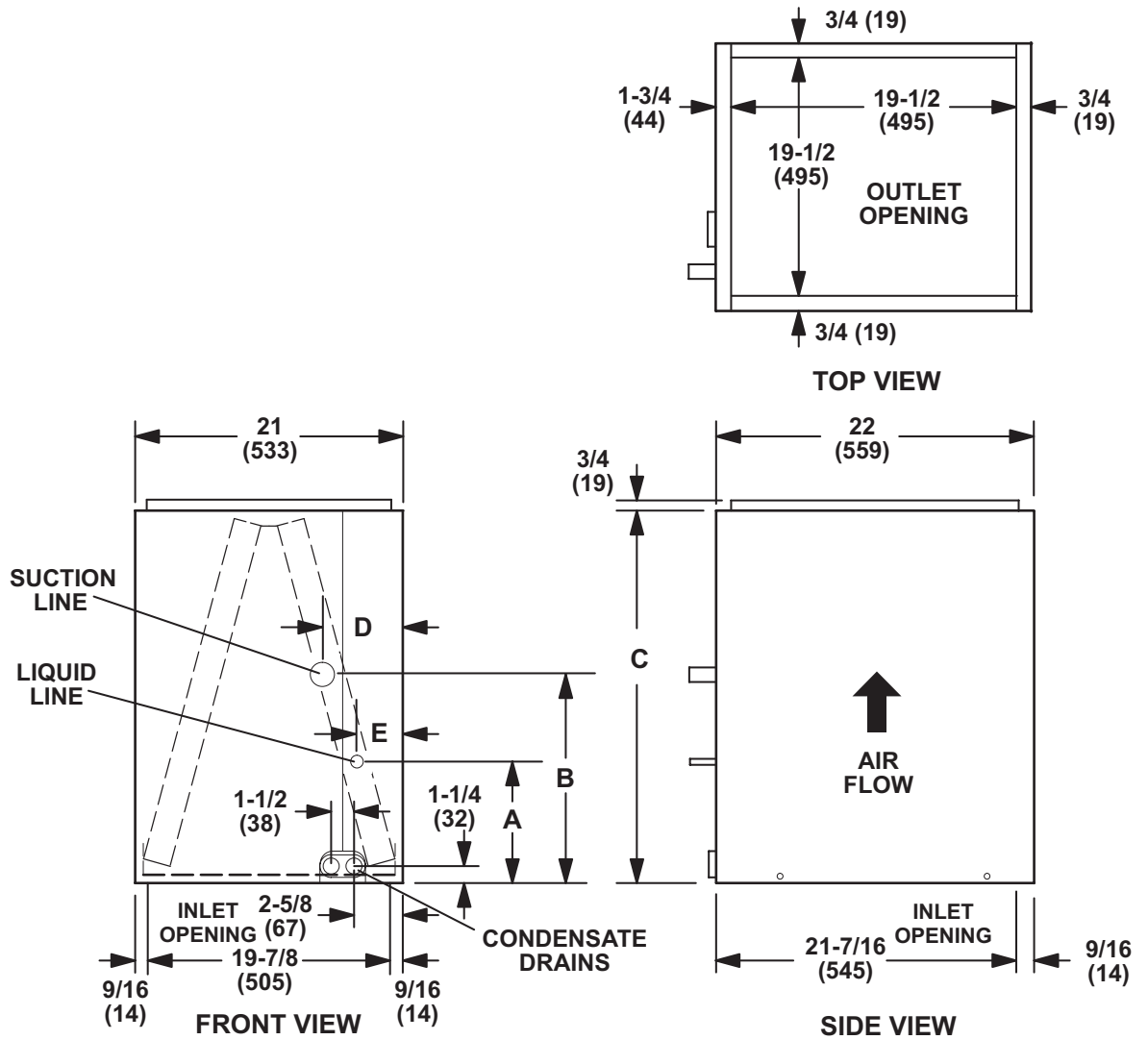


Model Number	A		B		C		D		E		F		G		H	
	in.	mm	in.	mm	in.	mm	in.	mm	in.	mm	in.	mm	in.	mm	in.	mm
CX35-18/24A-6F	14-1/2	368	16-1/2	419	13	330	13-3/8	340	7-3/8	187	3-1/2	89	3	76	3-7/8	98
CX35-18/24B-6F	17-1/2	445	16-1/2	419	16	406	16-3/8	416	7	178	3-1/2	89	3	76	3-7/8	98
CX35-30/36A-6F	14-1/2	368	24-1/2	622	13	330	13-3/8	340	14-1/4	362	4-3/4	121	3	76	3-7/8	98
CX35-30/36B-6F	17-1/2	445	24-1/2	622	16	406	16-3/8	416	13-3/8	340	4-3/4	121	3	76	4-1/8	108
CX35-30/36C-6F	21	533	24-1/2	622	19-1/2	495	19-7/8	505	14-3/8	365	4-3/4	121	3	76	3-5/8	92
CX35-36A-6F	14-1/2	368	24-1/2	622	13	330	13-3/8	340	13-1/2	343	4-3/4	121	2	52	3-1/4	83
CX35-36B-6F	17-1/2	445	24-1/2	622	16	406	16-3/8	416	13-3/4	350	4-3/4	121	2-5/8	67	3-7/8	98



# DIMENSIONS - INCHES (MM)

CX35-49C-6F and CX35-60C-6F



Model Number	A		B		C		D		E	
	in.	mm	in.	mm	in.	mm	in.	mm	in.	mm
CX35-49C-6F	4-3/4	121	12-1/8	308	29-1/2	749	3-3/8	86	2-1/2	64
CX35-60C-6F	4-3/4	121	14-1/2	368	31-1/2	800	3-3/8	86	2-1/2	64

## CX34 TO CX35 CROSS-REFERENCE

CX34 Model No.	Tons	Order No.	CX35 Model No.	Tons	Order No.
CX34-18/24A-6F	1.5 - 2	<b>20M63</b>	CX35-18/24A-6F	1.5 - 2	<b>10C41</b>
CX34-18/24B-6F	1.5 - 2	<b>20M67</b>	CX35-18/24B-6F	1.5 - 2	<b>10C42</b>
<sup>1</sup> CX34-18/24C-6F	1.5 - 2	<b>70M27</b>	<sup>1</sup> CX35-18/24B-6F	1.5 - 2	<b>10C42</b>
CX34-19A-6F	1.5	<b>85M16</b>	CX35-24A-6F	2	<b>10C43</b>
CX34-25A-6F	2	<b>85M17</b>	CX35-24A-6F	2	<b>10C43</b>
CX34-25B-6F	2	<b>85M18</b>	CX35-24B-6F	2	<b>10C44</b>
CX34-31A-6F	2.5	<b>85M19</b>	CX35-30A-6F	2.5	<b>10C47</b>
CX34-31B-6F	2.5	<b>85M20</b>	CX35-30B-6F	2.5	<b>10C48</b>
CX34-30A-6F	2.5	<b>20M64</b>	CX35-30/36A-6F	2.5 - 3	<b>10C49</b>
CX34-36A-6F	3	<b>20M65</b>	CX35-30/36A-6F	2.5 - 3	<b>10C49</b>
CX34-30B-6F	2.5	<b>20M68</b>	CX35-30/36B-6F	2.5 - 3	<b>10C50</b>
CX34-36B-6F	3	<b>20M69</b>	CX35-30/36B-6F	2.5 - 3	<b>10C50</b>
CX34-30C-6F	2.5	<b>70M28</b>	CX35-30/36C-6F	2.5 - 3	<b>10C51</b>
CX34-36C-6F	3	<b>20M74</b>	CX35-30/36C-6F	2.5 - 3	<b>10C51</b>
CX34-38A-6F	3	<b>20M66</b>	CX35-36A-6F	3	<b>10C52</b>
CX34-38B-6F	3	<b>20M70</b>	CX35-36B-6F	3	<b>10C53</b>
CX34-42B-6F	3.5	<b>20M71</b>	CX35-48B-6F	3.5 - 4	<b>10C54</b>
CX34-43B-6F	3.5	<b>85M21</b>	CX35-48B-6F	3.5 - 4	<b>10C54</b>
CX34-48B-6F	4	<b>20M72</b>	CX35-48B-6F	3.5 - 4	<b>10C54</b>
CX34-43C-6F	3.5	<b>85M22</b>	CX35-48C-6F	3.5 - 4	<b>10C55</b>
CX34-44/48C-6F	3.5 - 4	<b>20M75</b>	CX35-48C-6F	3.5 - 4	<b>10C55</b>
CX34-44/48C-6F	3.5 - 4	<b>20M75</b>	CX35-49C-6F	4	<b>10C56</b>
CX34-49C-6F	4	<b>85M23</b>	CX35-49C-6F	4	<b>10C56</b>
CX34-50/60C-6F	4 - 5	<b>20M76</b>	CX35-50/60C-6F	4 - 5	<b>10C57</b>
CX34-62C-6F	5	<b>85M24</b>	CX35-60C-6F	5	<b>10C58</b>
CX34-60D-6F	5	<b>20M77</b>	CX35-60D-6F	5	<b>10C59</b>
CX34-62D-6F	5	<b>20M78</b>	CX35-60D-6F	5	<b>10C59</b>

<sup>1</sup> Coil widths do not match between CX34 and CX35 models.



Visit us at [www.lennox.com](http://www.lennox.com)

For the latest technical information, [www.lennox.com](http://www.lennox.com)

Contact us at 1-800-4-LENNOX

NOTE - Due to Lennox' ongoing commitment to quality, Specifications, Ratings and Dimensions subject to change without notice and without incurring liability. Improper installation, adjustment, alteration, service or maintenance can cause property damage or personal injury. Installation and service must be performed by a qualified installer and servicing agency.

©2015 Lennox Industries, Inc.