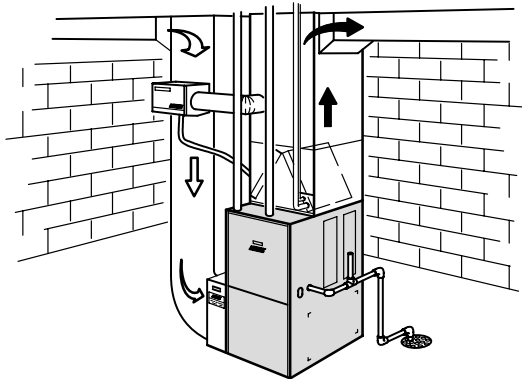


G26 ELITE® SERIES Up-Flow AFUE - up to 92.4%

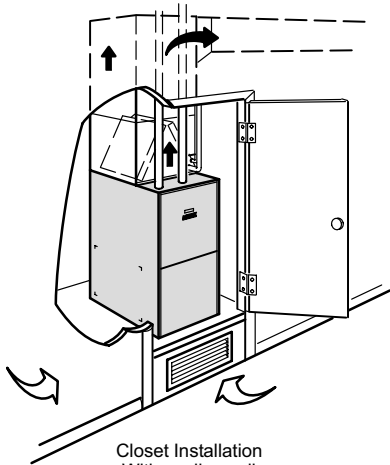
Input - 50,000 to 125,000 Btuh (14.7 to 36.6 kW)
Add-on Cooling - 2 to 5 Tons (7.0 to 17.6 kW)

Bulletin No. 210027
March 2002
Supersedes May 1998

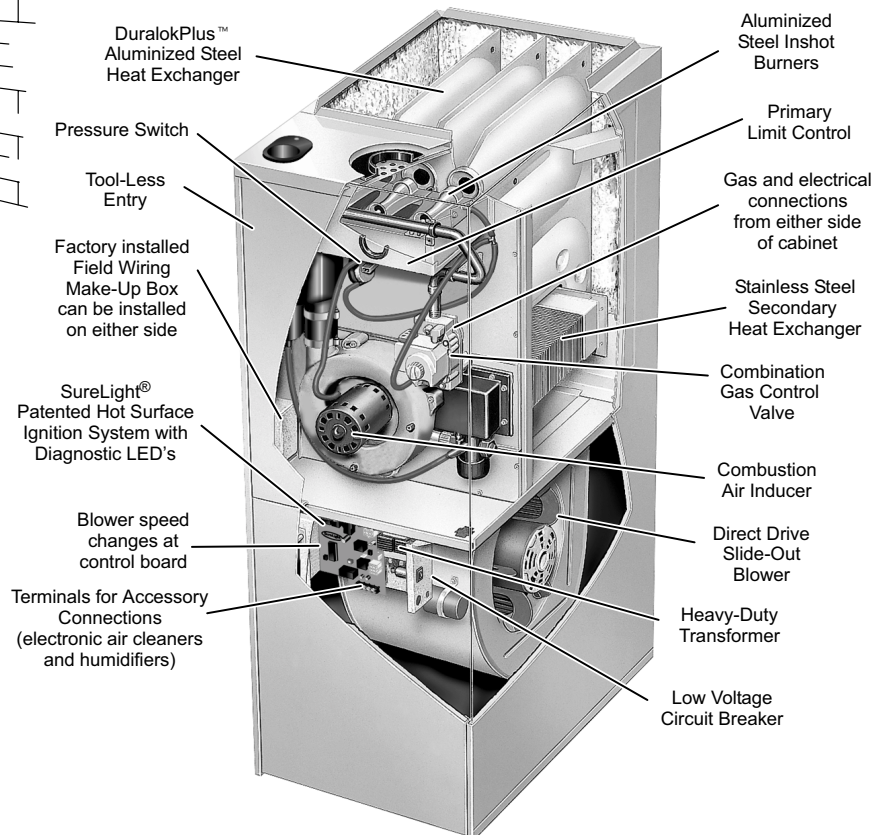
Typical Applications



Utility Room Installation With cooling coil, electronic air cleaner and humidifier

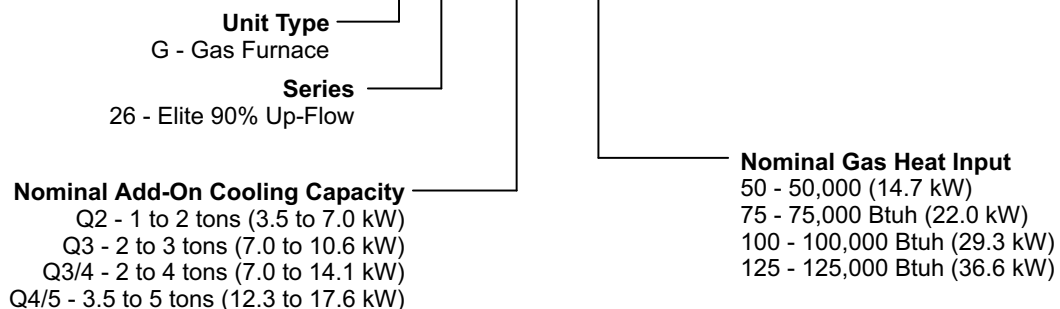


Closet Installation With cooling coil



MODEL NUMBER IDENTIFICATION

G 26 - Q3 - 75



NOTE - Due to Lennox' ongoing commitment to quality, Specifications, Ratings and Dimensions subject to change without notice and without incurring liability. Improper installation, adjustment, alteration, service or maintenance can cause property damage or personal injury. Installation and service must be performed by a qualified installer and servicing agency.

FEATURES

Applications

- Eight models (natural gas or LPG/propane).
- Input capacities of 50,000, 75,000, 100,000 and 125,000 Btuh (14.7, 22.0, 29.3 and 36.6 kW).
- Energy efficiencies (AFUE) of up to 92.4%.
- Compact cabinet with either side or bottom return air entry.
- Add-on evaporator coils, electronic air cleaners and power humidifiers available.
- Shipped factory assembled with all controls installed and wired.
- Factory test operated to insure proper operation.

Approvals

- Units certified by CSA International (formerly AGA/CGA).
- Ratings are certified by GAMA.
- Tested and rated according to U.S. DOE test procedures and FTC labeling regulations.
- Approved by the California Energy Commission and meet California Seasonal Efficiency requirements and California Nitrogen Oxides (NOx) Standards.
- Developed in accordance with ISO 9002 quality standards.
- Blower data from unit tests conducted in Lennox Laboratory air test chamber.
- Approved for vertical or horizontal (sidewall) venting.

Equipment Warranty

- DuralokPlus™ Aluminized Steel Heat Exchanger - limited lifetime warranty.
- All other covered components - limited five years in residential applications, one year in non-residential applications.
- Refer to Lennox Equipment Limited Warranty certificate included with equipment for details.

Lennox DuralokPlus™ Heat Exchanger Assembly

- Lennox developed heat exchanger assembly consists of primary heat exchanger and secondary condenser coil assembly.
- Main 3-pass clamshell type heat exchanger constructed of heavy gauge aluminized steel.
- Designed for normal expansion and contraction without metal fatigue.
- Crimped seam design and construction provides long service life, maximum efficiency and minimum resistance to airflow.
- Condenser coil constructed of aluminum fins fitted to stainless steel tubes.
- Coil is factory tested for leaks.
- Combined flue vent and condensate drain header box assembly located on front of coil.
- Compact size of complete heat exchanger assembly permits low overall design of furnace cabinet.
- All components mounted in a heavy gauge steel frame.
- Heat exchanger assembly has been laboratory life cycle tested.

Lennox Designed Flue Condensate Trap Assembly

- Flue assembly connects to flue pipe with one piece no hub connector (furnished) and to combustion air inducer.
- Vents combustion products and collects condensate.
- Assembly contains built-in internal trap and removable boot on bottom for easy cleaning and servicing.
- Flue trap drain hose runs from assembly to header box condensate trap.

Lennox Designed Header Box Condensate Trap

- Header box on end of condenser coil contains built-in internal trap and removable boot on bottom for easy cleaning and servicing of header and trap.
- Header box trap also collects flue condensate from flue trap for disposal through one single drain pipe.
- Also furnished for field installation is 1/2 inch (12.7 mm) mpt adaptor and nipple that extends condensate drain out either side of unit cabinet for easy connection.

Inshot Burners

- Aluminized steel inshot burners provide efficient trouble free operation.
- Burner venturi mixes air and gas in correct proportion for proper combustion.
- Burners completely enclosed in heavy gauge steel burner box.
- Sight glass is furnished on burner box for flame observation.
- Burner assembly is removeable from the unit as a single component for ease of service.

SureLight® Hot Surface Ignition

- Tough, reliable, long-life, trouble-free performance.
- Tungsten heater element sandwiched between two plates of silicon nitride.
- Cemented to steatite block for protection against current leakage.
- Ignition leads constructed of nickel plated copper enclosed in high temperature Teflon insulation for dependable operation.
- No electrical noise.

SureLight® Integrated Control Board

- Solid-state board contains all necessary controls and relays to operate furnace.
- Control module continuously monitors and adjusts the ignitor power to operate at minimum igniter temperature required for ignition, prolonging ignitor life.
- Electronic flame sensor control assures safe and reliable operation.
- Should loss of flame occur, flame sensor controls will initiate 4 attempts at re-ignition before locking out unit operation for 60 minutes.
- Watchguard type circuit automatically resets ignition controls after one hour of continuous thermostat demand after unit lockout, eliminating nuisance calls for service.
- Fan control consists of adjustable blower timed-off delay (60 to 180 seconds) and fixed blower timed-on delay (45 seconds).
- For air-conditioning applications, blower is automatically energized on thermostat demand for cooling.
- Terminal for continuous low speed blower operation.
- Provisions for additional power supply requirements for 120 volt (less than 1 amp) power humidifiers and electronic air cleaners.
- Ignition control has two LED's to indicate status and as an aid in troubleshooting.

FEATURES

Combustion Air Inducer

- Factory installed combustion air inducer prepurges heat exchanger and safely vents combustion products.
- Shaded pole motor thermally protected.
- Operates only during heat demand cycle.
- Pressure switch prevents unit operation in case of blockage of combustion air, flue outlet or condensate drain.

Automatic Gas Control

- Silent operating gas controls provide 100% safety shut off.
- 24 volt redundant combination gas control valve combines automatic safety pilot, manual shut off option (On-Off), pilot filtration, automatic electric valve (dual) and gas pressure regulation into a compact combination control.
- Dual valve design provides double assurance of 100% close off of gas to the pilot and main burners on each off cycle.
- Gas valve automatically regulated with pressure switch to maintain even gas flow regardless of type of venting installation.
- Design also compensates for variations in altitude.

Limit Control

- Factory installed and accurately located.
- Provides protection against abnormal operating conditions.

Cabinet

- Constructed of heavy gauge painted steel.
- Cabinet insulated with foil faced fiberglass insulation on vestibule panel, side panels and back panel.
- Blower compartment sides and rear are completely lined with black matt faced fiberglass insulation for quiet operation.
- Complete service access accomplished by removing heating section and blower compartment access panels.
- Blower assembly and filter may be completely removed from unit for service.
- Rails on blower deck angle down for easy blower removal.
- Safety interlock switch in control box automatically shuts off power to unit when blower compartment access door is removed.
- Intake and exhaust air openings are furnished on top of furnace.
- Gas piping and electrical inlets are provided in both sides of cabinet.
- Return air entry possible on either side or bottom of cabinet.
- For bottom return air, cabinet has a perforated knockout pattern for easy removal.

Field Wiring Make-up Box

- Furnished for line voltage wiring.
- Box may be installed on either side of furnace, internally or externally.
- Box contains plug-in connection for power supply wiring, wire for 120 volt accessory connection and all necessary hardware for installation.

Control Box

- Thermostat connections are made at control box which is located in blower compartment.
- Box contains safety interlock switch, blower/ignition control board, control transformer and circuit breaker.

Transformer

- 24 volt control transformer is furnished as standard.
- Factory installed in control box.
- Transformer has circuit breaker wired in series for added protection.

Blower

- Multi-speed direct drive blowers.
- Each blower assembly statically and dynamically balanced.
- Multiple-speed motor resiliently mounted.
- Blower speeds are easily changed on the blower motor.
- See blower performance tables.

OPTIONAL ACCESSORIES – MUST BE ORDERED EXTRA

Thermostat

- Heating thermostat is not furnished and must be ordered extra.
- See Thermostats bulletin in Controls section and Lennox Price Book.
- For all-season applications, heating and cooling thermostat is available with the condensing unit.

LPG/Propane Conversion Kit

- For LPG/propane models a conversion kit is required for field changeover from natural gas.
- See specifications table for order number.

Filter and Rack Kit

- Washable or vacuum cleanable polyurethane frame type air filter and external rack available for field installation.
- Available in single and ten pack kits.
- See Specifications table for order number.
- For bottom return air applications, the filter installs in furnace cabinet bottom and is secured by one fixed rear filter clip and two field installed side filter clips.
- For side return air applications, external filter rack field installs on either side of unit cabinet. The rack has a filter door for easy filter servicing. Flanges on rack allow easy duct connection. See dimension drawing.

Concentric Termination Kit

- Facilitates installation of combustion air intake pipe and flue exhaust pipe.
- 1-1/2 inch (38 mm) or 2 inch (51 mm) kit contains concentric termination assembly, mounting clamp, roof flashing, reducer bushing and 45 degree elbow.
- Kit requires single hole penetration of roof or wall for installation.
- AGA/CGA certified.
- See Specifications table and dimension drawings.

OPTIONAL ACCESSORIES – MUST BE ORDERED EXTRA

Roof Termination Kit

- Facilitates installation of combustion air intake pipe and flue exhaust pipe.
- 2 inch (51 mm) or 3 inch (76 mm) kit contains two neoprene rubber roof flashings.
- See Specifications table and dimension drawings.
- Refer to venting tables in this bulletin to determine pipe size needed and proper termination kit required.

Wall Assembly Termination Kits

- Facilitates installation of combustion air intake pipe and flue exhaust pipe.
- Refer to venting tables in this bulletin to determine pipe size needed and proper termination kit required.
- See Specifications table and dimension drawings.

Close Couple Kits

- 2 inch (51 mm) or 3 inch (76 mm) kit consists of close-couple side-by-side PVC piping with galvanized steel wall cover plate for sealing and isolating piping penetration of the wall.
- Piping spacing and length is sized for proper wall installations.
- CSA certified.

WTK Close Couple Kits

- 2 inch (51 mm) or 3 inch (76 mm) kit contains one insulated faceplate, one insulated exhaust pipe, elbow and fittings.

Wall Ring Kit

- 2 inch (51 mm) kit contains two stainless steel outside seal caps, two galvanized steel inside seal caps, four seal rings for the caps and 18 inch (457 mm) insulation sleeve for sealing and isolating intake and exhaust piping penetration of wall.
- Maintain a maximum of 6 inches (152 mm) between the inlet and outlet openings in the installation of the pipes.
- See dimension drawings.

WTKX Extension Riser Kit

- 2 inch (51 mm) kit is used where extended grade line clearance is required.
- Includes 3 ft. (1.0m) extension riser containing both vent lines (exhaust vent insulated) and wall securing bracket.
- See dimension drawings.

Condensate Drain Heat Cable Kits

- Self-limiting wattage heat cable prevents condensate drain from freezing in unconditioned areas.
 - Available in 6, 24 or 50 ft. (1.8, 7.3, or 15.2 m) lengths.
 - See specifications table for order number.
- Heat Cable Tape:
- 66 ft. (20 m) length, 1/2 in. (13 mm) wide fiberglass.
 - 60 ft. (18 m) length, 2 in. (51 mm) wide aluminum foil.
 - See specifications table for order number.

Furnace Twinning Kit

- Field installed kit is required to operate two furnaces simultaneously. See Specification table for order number.
- Kit consists of twinning control and two fan sensors.

INTAKE AND EXHAUST PIPE VENTING TABLE

Vent Pipe Maximum Equivalent Length		Minimum Vent Pipe Diameter Required							
		50,000 Btuh (14.7 kW)		75,000 Btuh (22.0 kW)		100,000 Btuh (29.3 kW)		125,000 Btuh (36.6 kW)	
Feet	Meters	in.	mm	in.	mm	in.	mm	in.	mm
15	4.6	1-1/2	38	2	51	2	51	2	51
20	6.1	2	51	2	51	2	51	3	76
25	7.6	2	51	2	51	2	51	3	76
30	9.1	2	51	2	51	3	51	3	76
40	12.2	2	51	2	51	3	51	3	76
50	15.2	2	51	2	51	3	51	3	76
55	16.8	2	51	2	51	3	76	3	76
60	18.3	3	76	3	76	3	76	3	76
70	21.3	3	76	3	76	3	76	3	76
80	24.4	3	76	3	76	3	76	3	76
90	27.4	3	76	3	76	3	76	3	76
100	30.5	3	76	3	76	3	76	3	76
110	33.5	3	76	3	76	3	76	3	76
120	36.6	3	76	3	76	3	76	3	76
130	39.6	3	76	3	76	3	76	---	---

MINIMUM PIPE LENGTHS FOR FURNACES — **G26-50** — 5 feet (1.5 m) with two 90° elbows of 1-1/2 inch (38 mm) diameter pipe. (15 equivalent feet (4.6 m) total).
G26-75 — 5 feet (1.5 m) with two 90° elbows of 2 inch (51 mm) diameter pipe. (15 equivalent feet (4.6 m) total).
G26-100 — 5 feet (1.5 m) with two 90° elbows of 2 inch (51 mm) diameter pipe. (15 equivalent feet (4.6 m) total).
G26-125 — 5 feet (1.5 m) with two 90° elbows of 2 inch (51 mm) diameter pipe. (15 equivalent feet (4.6 m) total).

VENTING NOTES — One 90° elbow is equivalent to 5 feet (1.5 m) of straight vent pipe.
 Two 45° elbows are equal to one 90° elbow.
 One 45° elbow is equivalent to 2.5 feet (.75 m) of straight vent pipe.
 One foot (305 mm) length of 2 in. (51 mm) diameter pipe is equivalent to 8 feet (2.4 m) of 3 in. (76 mm) diameter pipe.
 Intake and Exhaust pipes must be the same diameter.
 2 inch x 3 inch (51 mm x 76 mm) adaptor is furnished with -100 and -125 furnaces for exhaust pipe connection.
 Exhaust pipe must terminate with 1-1/2 inch (38 mm) diameter pipe for furnaces using 1-1/2 (38 mm) or 2 inch (51 mm) diameter pipe runs.
 Exhaust pipe must terminate with 2 inch (51 mm) diameter pipe for furnaces using 3 inch (76 mm) diameter pipe runs.
 See pages 9 thru 11 for Termination Kits available.

SPECIFICATIONS

		Model No.	G26Q2-50	G26Q3-50	G26Q3-75	G26Q4/5-75
Gas Heating Performance	Input - Btuh (kW)		50,000 (14.7)	50,000 (14.7)	75,000 (22.0)	75,000 (22.0)
	Output - Btuh (kW)		46,000 (13.5)	47,000 (13.8)	70,000 (20.5)	71,000 (20.8)
	☆AFUE		92.3%	92.4%	92.3%	92.3%
	◇California Seasonal Efficiency		86.2%	86.8%	84.1%	87.1%
	High static (CSA) - in. wg. (Pa)		.50 (125)	.50 (125)	.50 (125)	.50 (125)
	Temperature rise range - °F (°C)		40 - 70 (22 - 39)	30 - 60 (17 - 33)	40 - 70 (22 - 39)	20 - 50 (11 - 28)
Connections in. (mm)	① Exhaust Pipe (PVC)		2 (51)	2 (51)	2 (51)	2 (51)
	① Intake Pipe (PVC)		2 (51)	2 (51)	2 (51)	2 (51)
	Condensate drain (PVC)		3/4 (19)	3/4 (19)	3/4 (19)	3/4 (19)
	Gas pipe size I.P.S.		1/2 (13)	1/2 (13)	1/2 (13)	1/2 (13)
Blower Data	Wheel nominal diameter x width - in. (mm)		10 x 7 (254 x 178)	10 x 8 (254 x 203)	10 x 8 (254 x 203)	11-1/2 x 9 (292 x 229)
	Motor output - hp (W)		1/5 (149)	1/3 (249)	1/3 (249)	3/4 (560)
	Tons (kW) of add-on cooling		1 to 2 (3.5 to 7.0)	2 to 3 (7.0 to 10.6)	2 to 3 (7.0 to 10.6)	3.5 to 5 (12.3 to 17.6)
Shipping data - 1 package			150 lbs. (68 kg)	157 lbs. (71 kg)	157 lbs. (71 kg)	182 lbs. (83 kg)
Electrical characteristics			120 volts - 60 hertz - 1 phase (All units) (less than 12 amps)			
OPTIONAL ACCESSORIES - MUST BE ORDERED EXTRA						
Condensate Drain Heat Cable	6 ft. (1.8 m) long		26K68	26K68	26K68	26K68
	24 ft. (7.3 m) long		26K69	26K69	26K69	26K69
	50 ft. (15.2 m) long		26K70	26K70	26K70	26K70
Heat Cable Tape	Fiberglass - 1/2 in. (38 mm) x 66 ft. (20 m)		39G04	39G04	39G04	39G04
	Aluminum foil - 2 in. (25 mm) x 60 ft. (18 m)		39G03	39G03	39G03	39G03
Filter/Filter Rack Kits	Single Pack		44J20	44J20	44J20	44J21
	Ten Pack		66K61	66K61	66K61	66K62
	② Size of filter - in. (mm)		14 x 25 x 1 (356 x 635 x 25)	14 x 25 x 1 (356 x 635 x 25)	14 x 25 x 1 (356 x 635 x 25)	20 x 25 x 1 (508 x 635 x 25)
LPG/Propane Kit			65K27	65K27	65K27	65K27
Termination Kit Concentric	1-1/2 in. (38 mm)		60G77	---	---	---
	2 inch (51 mm)		---	33K97	33K97	33K97
Termination Kits - Roof	2 inch (51 mm)		15F75	15F75	15F75	15F75
	3 inch (76 mm)		44J41	44J41	44J41	44J41
Termination Kits Wall Assembly	Close Couple 2 inch (51 mm)		22G44	22G44	22G44	22G44
	3 inch (76 mm)		44J40	44J40	44J40	44J40
	Close Couple WTK 2 inch (51 mm)		30G28	30G28	30G28	30G28
	3 inch (76 mm)		81J20	81J20	81J20	81J20
	Close Couple WTKX 2 inch (51 mm) with 3 ft. (1 m) extension riser		30G79	30G79	30G79	30G79
	Wall Ring Kit 2 inch (51 mm)		15F74	15F74	15F74	15F74
Twinning Kit			15L38	15L38	15L38	15L38

☆Annual Fuel Utilization Efficiency based on DOE test procedures and according to FTC labeling regulations. Isolated combustion system rating for non-weatherized furnaces.

◇Meets California Nitrogen Oxides (NO_x) Standard and California Seasonal Efficiency requirements.

① Determine from venting tables proper intake and exhaust pipe size and termination kit required.

② Cleanable polyurethane frame type filter.

SPECIFICATIONS

Gas Heating Performance		Model No.	G26Q3/4-100	G26Q4/5-100	G26Q3/4-125	G26Q4/5-125
Input - Btuh (kW)			100,000 (29.3)	100,000 (29.3)	125,000 (36.6)	125,000 (36.6)
Output - Btuh (kW)			93,000 (27.3)	93,000 (27.3)	117,000 (34.3)	117,000 (34.3)
☆AFUE			92.3%	92.3%	92.3%	92.3%
◇California Seasonal Efficiency			86.0%	86.0%	87.3%	86.7%
High static (CSA) - in. wg. (Pa)			.50 (125)	.50 (125)	.50 (125)	.50 (125)
Temperature rise range - °F (°C)			50 - 80 (28 - 44)	40 - 70 (22 - 39)	55 - 85 (31 - 47)	50 - 80 (28 - 44)
Connections in. (mm)	①Exhaust Pipe (PVC)		③2 (51)	③2 (51)	③2 (51)	③2 (51)
	①Intake Pipe (PVC)		3 (76)	3 (76)	3 (76)	3 (76)
	Condensate drain (PVC)		3/4 (19)	3/4 (19)	3/4 (19)	3/4 (19)
	Gas pipe size I.P.S.		1/2 (13)	1/2 (13)	1/2 (13)	1/2 (13)
Blower Data	Wheel nominal diameter x width - in. (mm)		10 x 10 (254 x 254)	11-1/2 x 9 (292 x 229)	10 x 10 (254 x 254)	11-1/2 x 9 (292 x 229)
	Motor output - hp (W)		1/2 (373)	3/4 (560)	1/2 (373)	3/4 (560)
	Tons (kW) of add-on cooling		2 to 4 (7.0 to 14.1)	3.5 to 5 (12.3 to 17.6)	2 to 4 (7.0 to 14.1)	3.5 to 5 (12.3 to 17.6)
Shipping data - 1 package			186 lbs. (84 kg)	198 lbs. (90 kg)	218 lbs. (99 kg)	218 lbs. (99 kg)
Electrical characteristics			120 volts - 60 hertz - 1 phase (All units) (less than 12 amps)			

OPTIONAL ACCESSORIES - MUST BE ORDERED EXTRA

Condensate Drain Heat Cable	6 ft. (1.8 m) long	26K68	26K68	26K68	26K68
	24 ft. (7.3 m) long	26K69	26K69	26K69	26K69
	50 ft. (15.2 m) long	26K70	26K70	26K70	26K70
Heat Cable Tape	Fiberglass - 1/2 in. (38 mm) x 66 ft. (20 m)	39G04	39G04	39G04	39G04
	Aluminum foil - 2 in. (25 mm) x 60 ft. (18 m)	39G03	39G03	39G03	39G03
Filter/Filter Rack Kits	Single Pack	44J21	44J21	44J21	44J21
	Ten Pack	66K62	66K62	66K62	66K62
	②Size of filter - in. (mm)	20 x 25 x 1 (508 x 635 x 25)	20 x 25 x 1 (508 x 635 x 25)	20 x 25 x 1 (508 x 635 x 25)	20 x 25 x 1 (508 x 635 x 25)
LPG/Propane Kit		65K27	65K27	65K27	65K27
Termination Kit Concentric	1-1/2 in. (38 mm)	60G77	---	---	---
	2 inch (51 mm)	---	33K97	33K97	33K97
Termination Kits - Roof	2 inch (51 mm)	15F75	15F75	15F75	15F75
	3 inch (76 mm)	44J41	44J41	44J41	44J41
Termination Kits Wall Assembly	Close Couple 2 inch (51 mm)	22G44	22G44	22G44	22G44
	3 inch (76 mm)	44J40	44J40	44J40	44J40
	Close Couple WTK 2 inch (51 mm)	30G28	30G28	30G28	30G28
	3 inch (76 mm)	81J20	81J20	81J20	81J20
	Close Couple WTKX 2 inch (51 mm) with 3 ft. (1 m) extension riser	30G79	30G79	30G79	30G79
	Wall Ring Kit 2 inch (51 mm)	15F74	15F74	15F74	15F74
Twinning Kit		15L38	15L38	15L38	15L38

☆Annual Fuel Utilization Efficiency based on DOE test procedures and according to FTC labeling regulations. Isolated combustion system rating for non-weatherized furnaces.

◇Meets California Nitrogen Oxides (NO_x) Standard and California Seasonal Efficiency requirements.

①Determine from venting tables proper intake and exhaust pipe size and termination kit required.

②Cleanable polyurethane frame type filter.

③ 2 inch x 3 inch (51 mm x 76 mm) adaptor is furnished with -100 and -125 furnaces for exhaust pipe connection.

INSTALLATION CLEARANCES - INCHES (MM)

Sides	0 inches (0 mm)
Rear	0 inches (0 mm)
Top	1 inch (25 mm)
①Front	①0 inches (0 mm)
Floor	Combustible
Exhaust Pipe	0 inches (0 mm)
Exhaust Pipe (service)	6 inches (152 mm)
Service Clearance (front)	24 inches (610 mm)
Service Clearance (condensate side)	3 inches (76 mm)

NOTE—Air for combustion and supply air ventilation must conform to the methods outlined in American National Standard (ANSI-Z223.1) National Fuel Gas Code or National Standard of Canada CAN/CGA-149.1 and CAN/CGA-149.2 "Installation Code for Gas Burning Appliances".

NOTE—In the U.S. flue sizing must conform to the methods outlined in current GAMA/A.G.A. venting tables, American National Standard (ANSI-Z223.1) National Fuel Gas Code or applicable provisions of local building codes. In Canada flue sizing must conform to the methods outlined in National Standard of Canada CAN/CGA-149.1 and CAN/CGA-149.2.

①Front clearance for alcove installations is 24 inches (610 mm).

HIGH ALTITUDE INFORMATION

No gas pressure adjustment is needed when operating from 0 to 7500 ft. (0 to 2248 m). See below for correct manifold pressures for natural gas and LPG/propane.

FUEL	Manifold Absolute Pressure (outlet) 0 to 7500 ft. (0 to 2248 m) above sea level
Natural Gas	3.5 in. w.g. (0.87 kPa)
LPG/Propane	7.5 in. w.g. (1.86 kPa)

FILTER AIR RESISTANCE

cfm	L/s	in. w.g.	Pa	cfm	L/s	in. w.g.	Pa
0	0	0.00	0	1400	660	0.15	35
200	95	0.01	0	1600	755	0.19	45
400	190	0.03	5	1800	850	0.23	55
600	285	0.04	10	2000	945	0.27	65
800	380	0.06	15	2200	1040	0.33	80
1000	470	0.09	20	2400	1130	0.38	95
1200	565	0.12	30	2600	1225	0.44	110

BLOWER/WATTS DATA

G26Q2-50 BLOWER PERFORMANCE

External Static Pressure		Air Volume and Motor Watts at Specific Blower Taps								
		High			Medium			Low		
in. w.g.	Pa	cfm	L/s	Watts	cfm	L/s	Watts	cfm	L/s	Watts
0	0	1115	525	495	885	415	360	720	340	280
.10	25	1095	515	475	880	415	350	700	330	265
.20	50	1065	505	465	855	405	340	680	320	260
.30	75	1035	490	445	830	390	325	660	310	250
.40	100	995	470	425	755	355	315	645	305	235
.50	125	950	450	405	755	355	300	625	295	225
.60	150	900	425	390	740	350	280	540	255	215
.70	175	815	385	365	660	310	255	530	250	205
.80	200	610	290	340	585	275	240	360	170	180
.90	225	590	280	315	390	185	215	----	----	----

NOTE — All air data is measured external to unit with 1 in. (25 mm) cleanable foam filter (not furnished) in place. Also see Filter Air Resistance table.

G26Q3-50 BLOWER PERFORMANCE

External Static Pressure		Air Volume and Motor Watts at Specific Blower Taps											
		High			Medium-High			Medium-Low			Low		
in. w.g.	Pa	cfm	L/s	Watts	cfm	L/s	Watts	cfm	L/s	Watts	cfm	L/s	Watts
0	0	1485	700	590	1275	600	485	1045	495	390	840	395	310
.10	25	1445	680	565	1250	590	460	1030	485	375	830	390	300
.20	50	1390	655	545	1225	580	445	1010	475	365	815	385	290
.30	75	1345	635	520	1190	560	425	985	465	345	790	375	285
.40	100	1290	610	500	1150	545	405	955	450	335	780	370	275
.50	125	1225	580	480	1095	515	385	920	435	315	735	345	255
.60	150	1160	545	460	1030	485	365	875	415	300	700	330	240
.70	175	1075	505	440	950	450	345	855	405	280	600	285	220
.80	200	975	460	415	865	410	315	645	305	250	510	240	195
.90	225	845	400	385	615	290	265	545	255	225	375	175	180

NOTE — All air data is measured external to unit with 1 in. (25 mm) cleanable foam filter (not furnished) in place. Also see Filter Air Resistance table.

G26Q3-75 BLOWER PERFORMANCE

External Static Pressure		Air Volume and Motor Watts at Specific Blower Taps											
		High			Medium-High			Medium-Low			Low		
in. w.g.	Pa	cfm	L/s	Watts	cfm	L/s	Watts	cfm	L/s	Watts	cfm	L/s	Watts
0	0	1490	705	650	1340	630	540	1060	500	440	870	410	360
.10	25	1435	675	625	1305	615	515	1050	495	425	865	410	350
.20	50	1385	655	605	1260	595	490	1025	485	405	850	400	335
.30	75	1330	630	580	1215	575	470	1000	470	385	835	395	325
.40	100	1260	595	560	1160	545	445	965	455	365	810	380	310
.50	125	1200	565	540	1100	520	420	920	435	345	770	365	290
.60	150	1125	530	515	1035	490	400	870	410	325	735	345	280
.70	175	1035	490	495	960	455	375	780	370	305	685	325	265
.80	200	935	440	475	865	410	345	725	340	285	----	----	----
.90	225	805	380	445	630	295	295	540	255	240	----	----	----

NOTE — All air data is measured external to unit with 1 in. (25 mm) cleanable foam filter (not furnished) in place. Also see Filter Air Resistance table.

G26Q4/5-75 BLOWER PERFORMANCE

External Static Pressure		Air Volume and Motor Watts at Specific Blower Taps														
		High			Medium-High			Medium			Medium-Low			Low		
in. w.g.	Pa	cfm	L/s	Watts	cfm	L/s	Watts	cfm	L/s	Watts	cfm	L/s	Watts	cfm	L/s	Watts
0	0	2415	1140	1240	2120	1000	1015	1875	885	855	1635	770	705	1430	675	585
.10	25	2330	1100	1200	2090	985	1005	1835	865	835	1615	760	700	1420	670	585
.20	50	2265	1070	1165	2045	965	990	1795	845	815	1580	745	690	1390	655	580
.30	75	2210	1045	1145	2000	945	970	1765	835	810	1545	730	675	1365	645	575
.40	100	2145	1010	1110	1950	920	955	1720	810	795	1510	715	670	1340	630	570
.50	125	2075	980	1085	1885	890	930	1680	795	785	1475	695	665	1310	620	565
.60	150	2000	945	1060	1825	860	910	1630	770	770	1435	675	655	1270	600	555
.70	175	1935	915	1040	1775	840	895	1565	740	755	1395	660	645	1220	575	545
.80	200	1840	870	1005	1705	805	870	1515	715	745	1345	635	630	1165	550	535
.90	225	1760	830	980	1610	760	845	1455	685	725	1275	600	615	1110	525	530

NOTE — All air data is measured external to unit with 1 in. (25 mm) cleanable foam filter (not furnished) in place. Also see Filter Air Resistance table.

BLOWER/WATTS DATA

G26Q3/4-100 BLOWER PERFORMANCE

External Static Pressure		Air Volume and Motor Watts at Specific Blower Taps											
in. w.g.	Pa	High			Medium-High			Medium-Low			Low		
		cfm	L/s	Watts	cfm	L/s	Watts	cfm	L/s	Watts	cfm	L/s	Watts
0	0	2065	975	920	1760	830	735	1570	740	655	1245	590	520
.10	25	2000	945	875	1730	815	705	1550	730	625	1240	585	490
.20	50	1925	910	845	1685	795	675	1515	715	590	1225	580	470
.30	75	1840	870	800	1625	765	630	1475	695	565	1210	570	455
.40	100	1740	820	760	1550	730	595	1415	670	535	1165	550	430
.50	125	1650	780	730	1460	690	560	1335	630	500	1110	525	405
.60	150	1545	730	700	1370	645	530	1260	595	475	1045	495	385
.70	175	1420	670	660	1250	590	495	1170	550	445	950	450	355
.80	200	1270	600	620	1110	525	445	1025	485	395	825	390	325
.90	225	1045	495	560	965	455	405	885	420	360	700	330	290

NOTE — All air data is measured external to unit with 1 in. (25 mm) cleanable foam filter (not furnished) in place. Also see Filter Air Resistance table.

G26Q4/5-100 BLOWER PERFORMANCE

External Static Pressure		Air Volume and Motor Watts at Specific Blower Taps														
in. w.g.	Pa	High			Medium-High			Medium			Medium-Low			Low		
		cfm	L/s	Watts	cfm	L/s	Watts	cfm	L/s	Watts	cfm	L/s	Watts	cfm	L/s	Watts
0	0	2400	1135	1255	2185	1030	1070	1940	915	905	1740	820	765	1570	740	665
.10	25	2350	1110	1230	2150	1015	1055	1920	905	885	1710	805	755	1525	720	645
.20	50	2290	1080	1185	2105	995	1025	1875	885	865	1685	795	740	1505	710	640
.30	75	2225	1050	1170	2060	970	1005	1845	870	850	1655	780	730	1485	700	630
.40	100	2165	1020	1130	2010	950	985	1805	850	835	1620	765	720	1450	685	620
.50	125	2105	995	1115	1950	920	960	1755	830	810	1585	750	700	1415	670	605
.60	150	2040	965	1080	1895	895	940	1700	800	790	1540	725	690	1380	650	595
.70	175	1955	925	1045	1820	860	915	1640	775	775	1475	695	670	1340	630	590
.80	200	1850	875	1005	1730	815	885	1580	745	755	1430	675	660	1290	610	580
.90	225	1770	835	985	1650	780	855	1505	710	740	1370	645	645	1225	580	565

NOTE — All air data is measured external to unit with 1 in. (25 mm) cleanable foam filter (not furnished) in place. Also see Filter Air Resistance table.

G26Q3/4-125 BLOWER PERFORMANCE

External Static Pressure		Air Volume and Motor Watts at Specific Blower Taps											
in. w.g.	Pa	High			Medium-High			Medium-Low			Low		
		cfm	L/s	Watts	cfm	L/s	Watts	cfm	L/s	Watts	cfm	L/s	Watts
0	0	2070	975	920	1735	820	725	1555	735	640	1235	585	500
.10	25	2010	950	885	1710	805	700	1535	725	625	1225	580	490
.20	50	1950	920	850	1675	790	680	1500	710	600	1210	570	470
.30	75	1975	930	820	1620	765	645	1465	690	575	1185	560	455
.40	100	1785	840	775	1560	735	615	1415	670	545	1140	540	435
.50	125	1700	800	745	1475	695	575	1345	635	520	1090	515	415
.60	150	1585	750	705	1410	665	555	1275	600	490	1035	490	390
.70	175	1475	695	675	1310	620	515	1185	560	460	975	460	370
.80	200	1350	635	640	1200	565	485	1090	515	425	865	410	340
.90	225	1200	565	595	1080	510	445	965	455	385	715	335	300

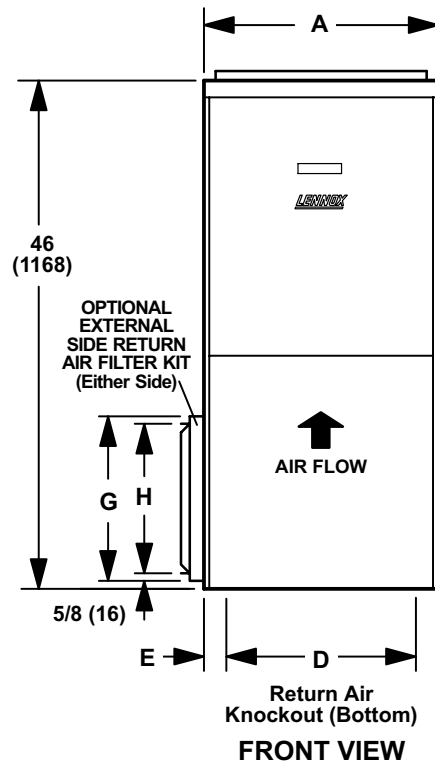
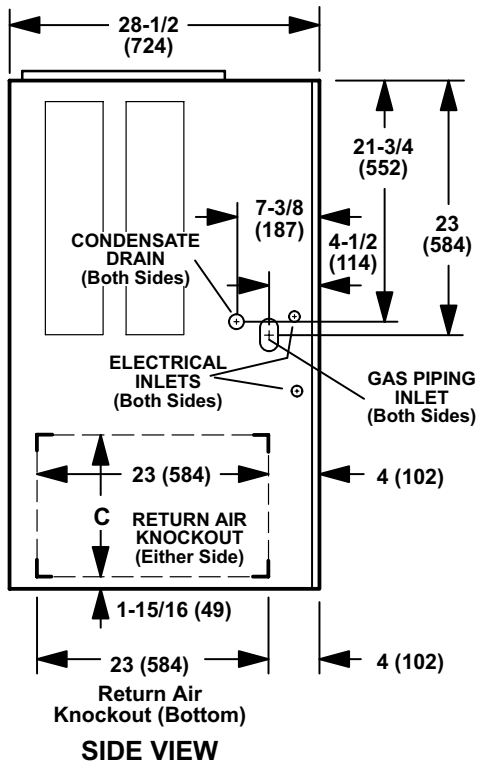
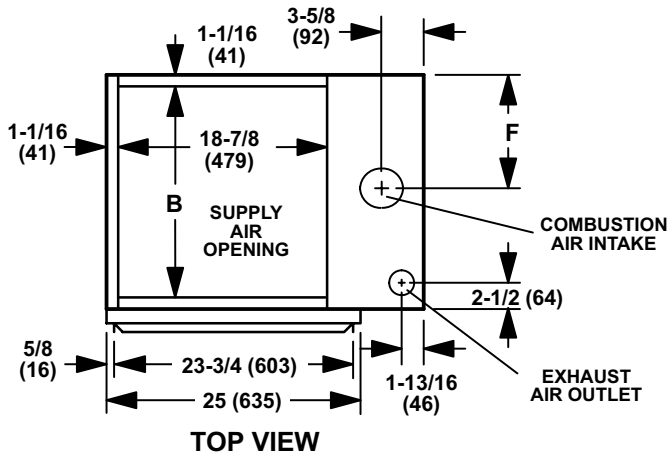
NOTE — All air data is measured external to unit with 1 in. (25 mm) cleanable foam filter (not furnished) in place. Also see Filter Air Resistance table.

G26Q4/5-125 BLOWER PERFORMANCE

External Static Pressure		Air Volume and Motor Watts at Specific Blower Taps														
in. w.g.	Pa	High			Medium-High			Medium			Medium-Low			Low		
		cfm	L/s	Watts	cfm	L/s	Watts	cfm	L/s	Watts	cfm	L/s	Watts	cfm	L/s	Watts
0	0	2400	1135	1210	2175	1025	1040	1965	925	895	1790	845	780	1610	760	670
.10	25	2315	1090	1175	2125	1005	1025	1930	910	875	1760	830	770	1580	745	660
.20	50	2255	1065	1150	2080	980	1000	1880	885	860	1740	820	755	1550	730	645
.30	75	2195	1035	1130	2030	960	975	1840	870	835	1710	805	750	1520	715	635
.40	100	2120	1000	1100	1970	930	960	1790	845	815	1665	785	730	1495	705	630
.50	125	2050	965	1080	1910	900	934	1745	825	800	1620	765	715	1460	690	620
.60	150	1985	935	1050	1840	870	905	1685	795	785	1565	740	705	1415	670	610
.70	175	1885	890	1020	1770	835	890	1635	765	775	1515	715	685	1370	645	595
.80	200	1815	855	1005	1690	800	860	1570	740	750	1450	685	670	1315	620	580
.90	225	1735	820	980	1615	760	835	1485	700	725	1385	655	655	1245	590	565

NOTE — All air data is measured external to unit with 1 in. (25 mm) cleanable foam filter (not furnished) in place. Also see Filter Air Resistance table.

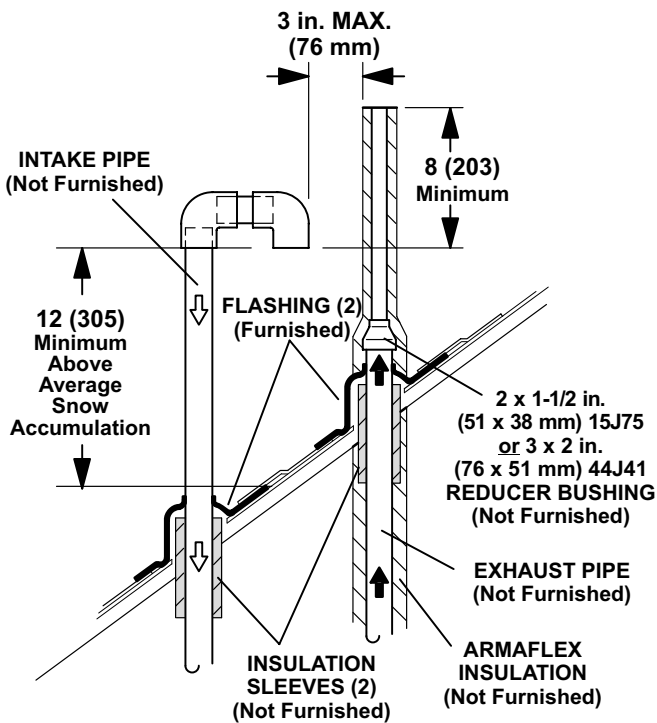
DIMENSIONS – INCHES (MM)



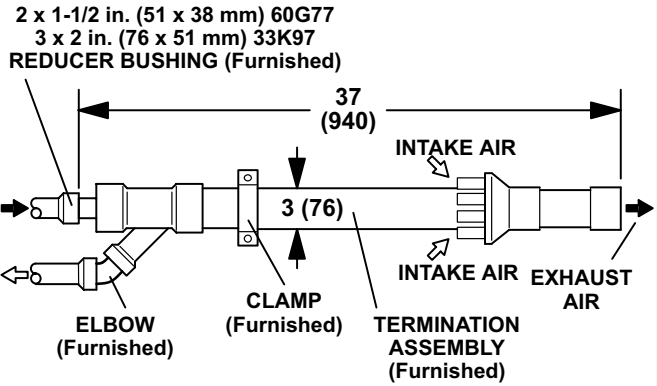
Model No.	A		B		C		D		E		F		G		H	
	in.	mm	in.	mm	in.	mm	in.	mm	in.	mm	in.	mm	in.	mm	in.	mm
G26Q2-50 G26Q3-50 G26Q3-75	16-1/4	413	14-1/8	359	12	305	12	305	2-1/8	54	7-5/8	194	14	356	12-3/4	324
G26Q4/5-75 G26Q3/4-100 G26Q4/5-100	21-1/4	540	19-1/8	486	18	457	18	457	1-5/8	41	10-1/8	257	20	508	18-3/4	476
G26Q3/4-125 G26Q4/5-125	26-1/4	667	24-1/8	613	18	457	18	457	4-1/8	105	12-5/8	321	20	508	18-3/4	476

OPTIONAL ACCESSORY DIMENSIONS - INCHES (MM)

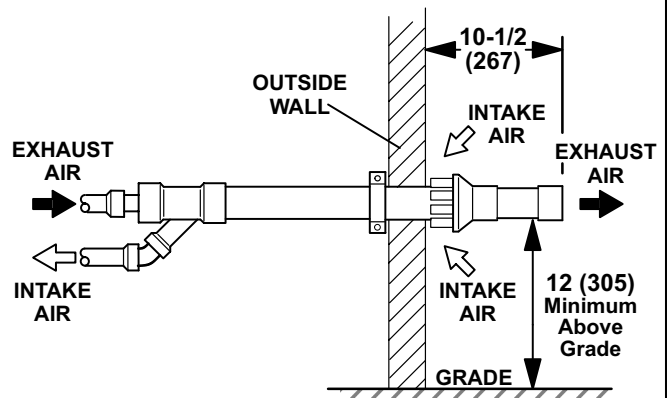
ROOF TERMINATION KITS
 15F75 for 2 inch (51 mm) Venting
 44J41 for 3 inch (76 mm) Venting



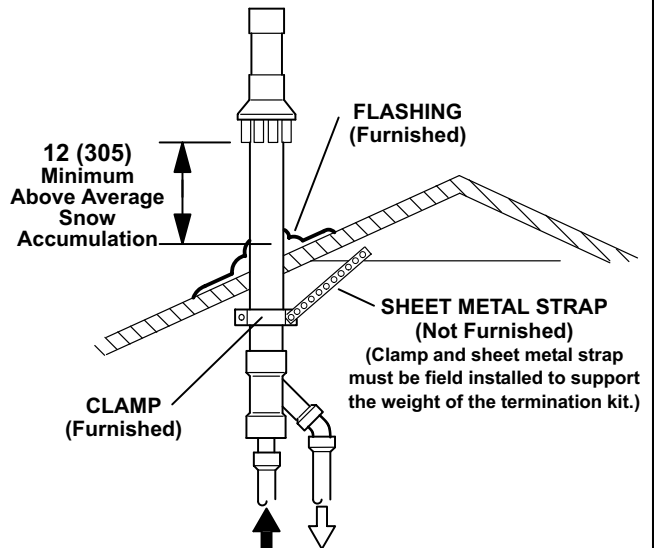
CONCENTRIC TERMINATION KITS
 60G77 - 1-1/2 inch (38 mm) for and -75 models
 33K97 - 2 inch (51 mm) for -100 and -125 models



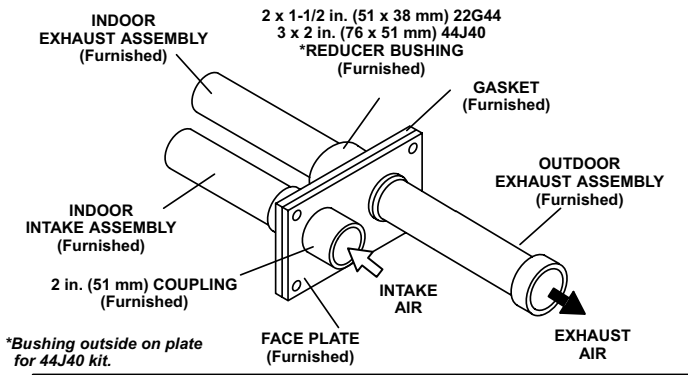
CONCENTRIC WALL TERMINATION APPLICATIONS



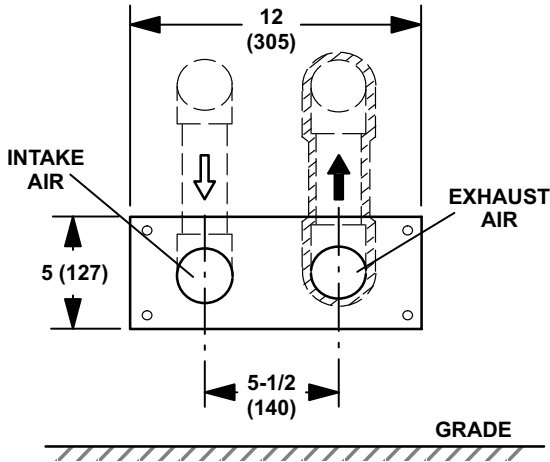
CONCENTRIC ROOF TERMINATION APPLICATIONS



OPTIONAL ACCESSORY DIMENSIONS - INCHES (MM)

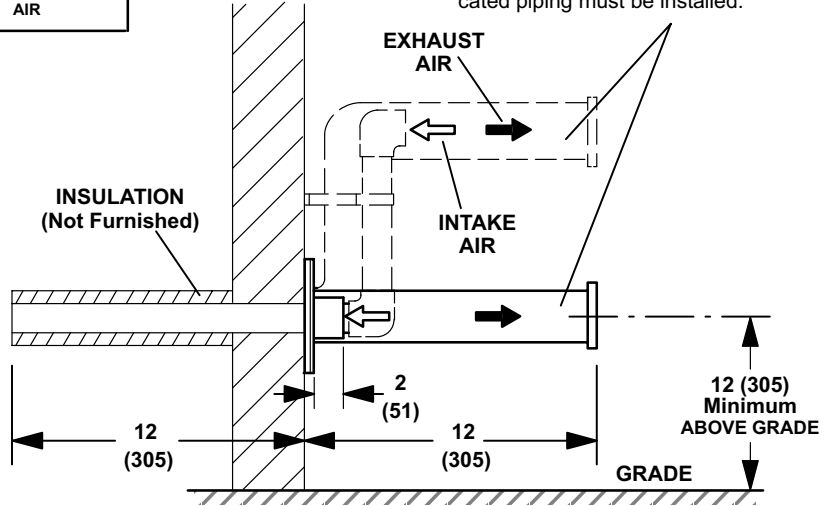


*Bushing outside on plate for 44J40 kit.

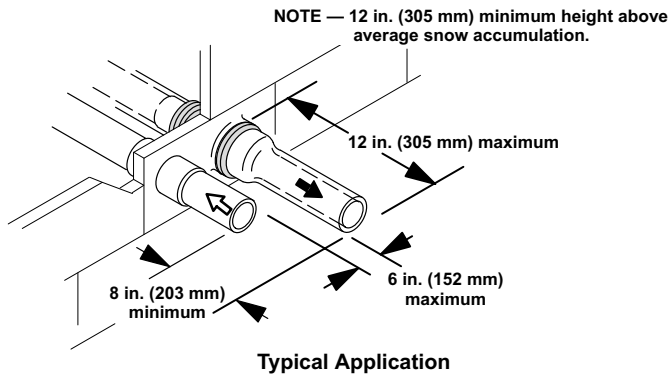


WALL ASSEMBLY TERMINATION KITS (CLOSE-COUPLE) 22G44 for 2 inch (51 mm) Venting 44J40 for 3 inch (76 mm) Venting

If Intake and Exhaust Pipe is less than 12 in. (305 mm) above snow accumulation or other obstructions, field fabricated piping must be installed.

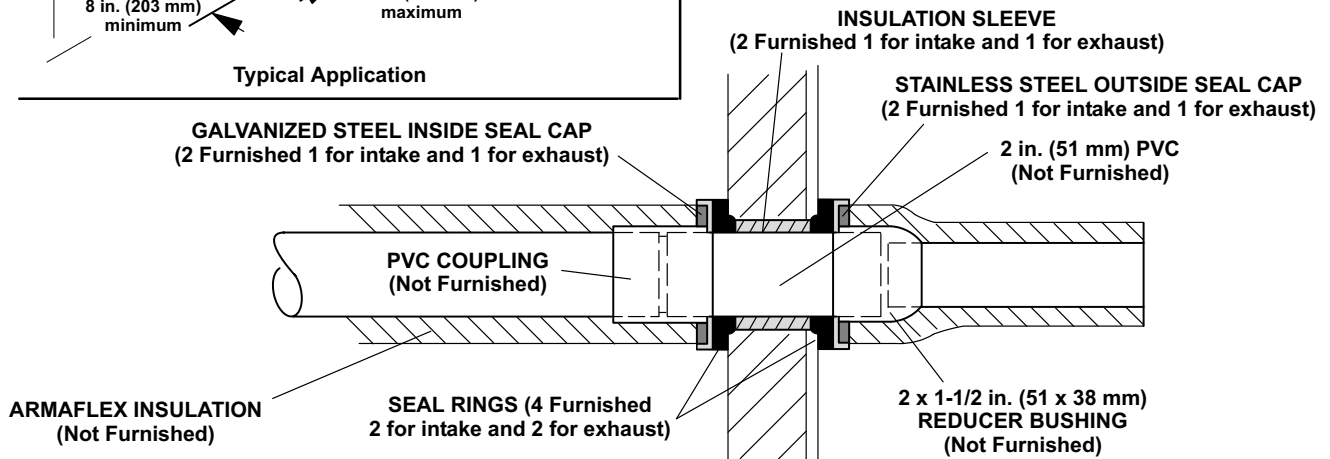


WALL ASSEMBLY TERMINATION KIT (RING KIT) 15F74 for 2 inch (51 mm) Venting NOTE — Not for use with 3 inch (76 mm) Venting



Typical Application

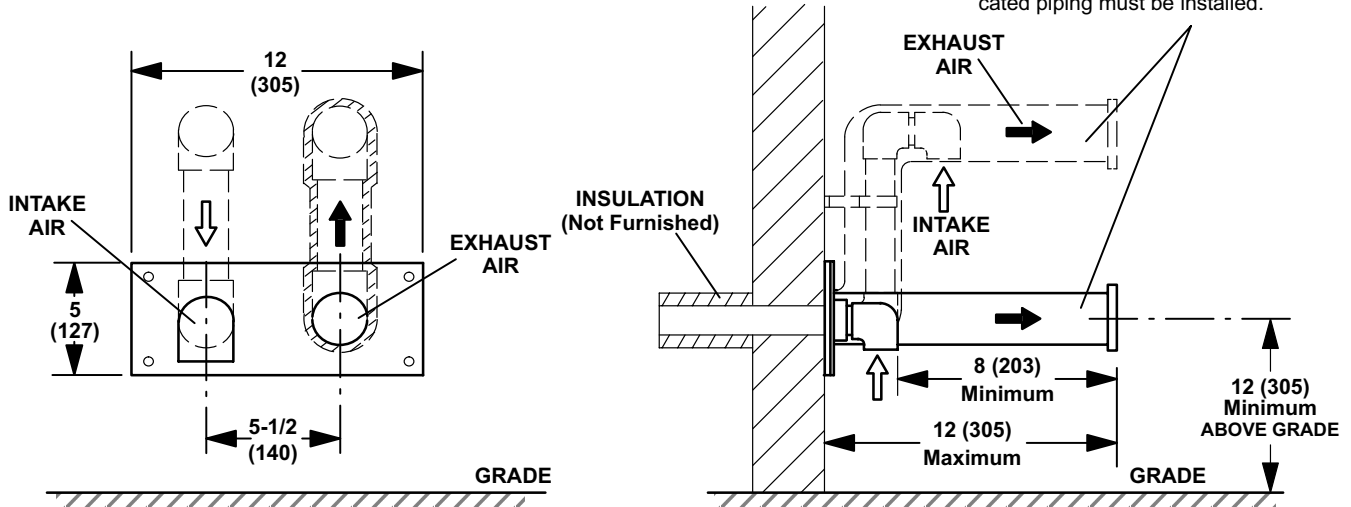
NOTE — EXHAUST PIPE SHOWN



OPTIONAL ACCESSORY DIMENSIONS - INCHES (MM)

**WTK WALL ASSEMBLY TERMINATION KIT
WITH FIELD FABRICATION ABOVE
GRADE EXTENDED CLEARANCE
30G28 for 2 inch (51 mm) Venting
81J20 for 3 inch (76 mm) Venting**

If Intake and Exhaust Pipe is less than 12 in. (305 mm) above snow accumulation or other obstructions, field fabricated piping must be installed.



**WTKX WALL ASSEMBLY EXTENSION RISER TERMINATION KIT
30G79 — For 2 inch (51 mm) Venting
NOTE — Not for 3 inch (76 mm) Venting**

