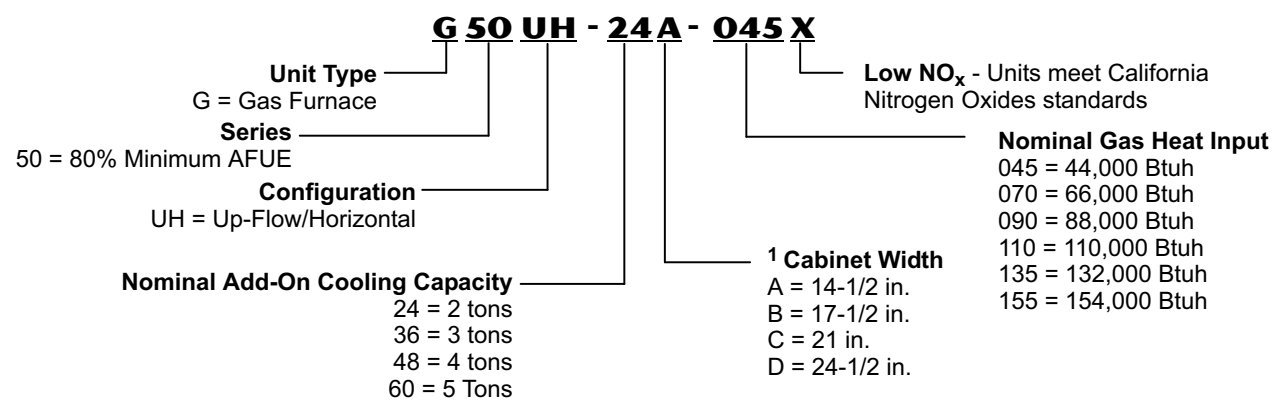




AFUE - 80%
Input - 44,000 to 154,000 Btuh
Nominal Add-on Cooling - 1.5 to 5 Tons

MODEL NUMBER IDENTIFICATION



¹ Indoor coils with the same letter designation will physically match the furnace.

FEATURES

CONTENTS

Blower Data	Pages 11-13
Dimensions	Pages 7-10
Features and Options	Pages 2-4
Filter Air Resistance	Page 6
Installation Clearances	Page 6
Model Number Identification	Page 1
Optional Accessories Selection table	Page 6
Specifications	Page 5
Winter Design Temperature Map	Page 4

WARRANTY

Duralok® Aluminized Steel Heat Exchanger - Limited Twenty Year warranty in residential applications, ten years in non-residential applications.

All other covered components - Limited Five Year warranty in residential applications, one year in non-residential applications.

Refer to Lennox Equipment Limited Warranty certificate included with equipment for details.

APPROVALS

Units certified by CSA International and ratings are certified by GAMA.

Units tested and rated according to US DOE test procedures and FTC labeling regulations.

Approved by California Energy Commission and meet California Seasonal Efficiency requirements and California Nitrogen Oxides (NO_x) Standards.

“X” models meet California Nitrogen Oxides (NO_x) Standards.

Blower data from unit tests conducted in Lennox Laboratory air test chamber.

ISO 9001 Registered Manufacturing Quality System.

APPLICATIONS

Input capacities of 44,000, 66,000, 88,000, 110,000, 132,000 and 154,000 Btuh.

Energy efficiency (AFUE) of 80%.

G50UH24A-70 and G50UH36C-110 models are available only in Canada.

Utility room, alcove, closet, crawl space or attic installation.

Lennox add-on indoor coils, high efficiency air cleaners and humidifiers can easily be added to furnace.

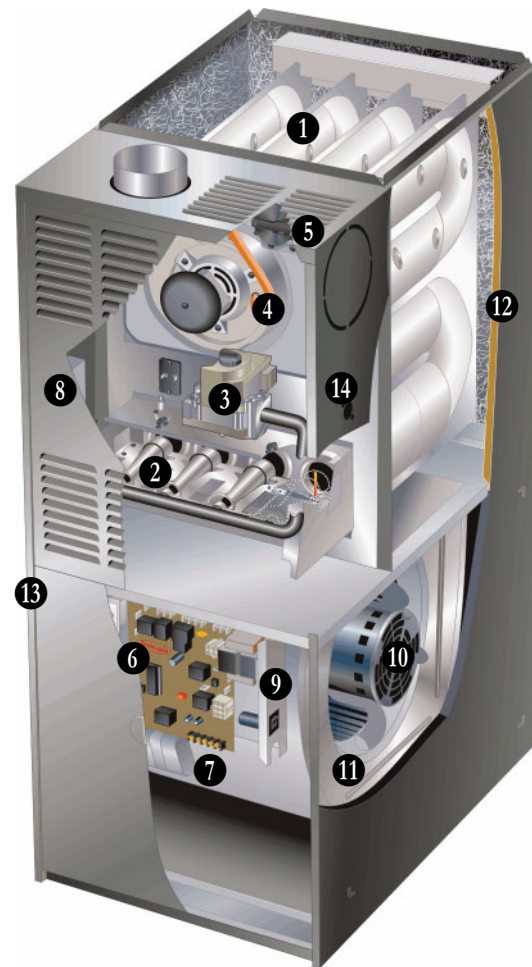
Shipped factory assembled with all controls installed and wired.

Ready for installation in up-flow or horizontal left or right hand position without any modifications. Removeable bottom seal panel shipped in place for side return air is easily removed for bottom/end return air applications.

Each unit factory test operated to ensure proper operation.

HEATING SYSTEM

- 1 Lennox Duralok® Aluminized Steel Heat Exchanger**
Heavy gauge aluminized steel heat exchanger.
Crimped seam clamshell type design.
Designed for normal expansion and contraction.
Minimum resistance to air flow.
Heat exchanger has been laboratory life cycle tested.



- 2 Inshot Burners**
Aluminized steel inshot burners.
Burner venturi mixes air and gas in correct proportion for proper combustion.
Burner assembly is removeable from the unit as a single component for servicing.
- 3 SureLight® Hot Surface Ignitor**
Tough, reliable, long-life, trouble-free performance.
Tungsten heater element sandwiched between two plates of silicon nitride.
Cemented to steatite block for protection against current leakage.
Ignition leads constructed of nickel plated copper enclosed in high temperature Teflon insulation for dependable operation.
No electrical noise.
- 3 Gas Control Valve**
24 volt redundant combination gas control valve combines manual shut off valve (On-Off), automatic electric valve (dual) and gas pressure regulation into a compact combination control.
- 4 Combustion Air Inducer**
Shaded pole heavy duty blower prepurges heat exchanger and safely vents flue products.
- 5 Pressure switch**
Proves blower operation before allowing gas valve to open.
Operates only during heating cycle.
Direct access allows inducer assembly to be rotated 90° clockwise or counterclockwise to facilitate easy vent attachment in horizontal applications.

FEATURES

HEATING SYSTEM - CONTINUED

Limit Controls

Automatic reset, primary and secondary limits are accurately located.

Primary limit factory installed on vestibule panel on all units, secondary limit(s) (all units except G50UH-24A-045) factory installed on blower housing.

Flame Rollout Switches (2)

Manual reset.

Factory installed on burner box.

Switches provide protection from abnormal operating conditions.

OPTIONS

High Altitude Orifice Kit - Natural Gas Only

Required for all natural gas models for proper unit operation at altitudes of 7501 to 10,000 feet.

High Altitude Pressure Switch Kit

Required on certain units for proper unit operation on installations above 7,500 ft.

LPG/Propane Conversion Kit

Required for field changeover from natural gas to LPG/Propane

Vent Adaptor (Up-Flow Applications Only)

Allows venting through a masonry chimney without the need of a flue liner.

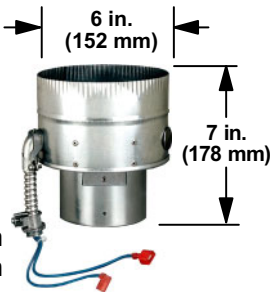
Manual reset temperature sensor protects against abnormal operating conditions. Sensor wiring may be routed from either side of adaptor.

Minimum winter design temperatures when used with G50UH furnaces:

-10°F for -45, -70, -90, -135 models.

+5°F for -110 models.

Refer to Winter Design Temperatures Map on next page for application information. Also refer to the installation instructions for detailed information.



CONTROLS

6 SureLight® Integrated Furnace Control Board

Solid-state board contains all necessary controls and relays to operate furnace.

Combustion air inducer is controlled by board. Prior to ignition, a pre-purge cycle for 15 seconds is initiated. After the main burners are turned off, a post-purge cycle for 5 seconds is run.

Adaptive technology of ignition control board continuously monitors and adjusts the ignitor power to operate at minimum ignitor temperature required for ignition, prolonging ignitor life.

Electronic flame sensor control assures safe and reliable operation.

Should loss of flame occur, flame sensor controls will initiate 5 attempts at re-ignition before locking out unit operation for 60 minutes.

Watchguard type circuit automatically resets ignition controls after one hour of continuous thermostat demand after unit lockout, eliminating nuisance calls for service.

Fan control consists of adjustable blower timed-off delay (60, 90, 120, 180 seconds - factory setting 90 seconds) and fixed blower timed-on delay (45 seconds).

For air-conditioning applications, blower is automatically

energized on thermostat demand for cooling.

Terminal for continuous low speed blower operation.

- 7 Two accessory terminals furnished for additional power supply requirements for 120 volt (less than 1 amp) power humidifiers and powered air cleaners.

Ignition control has two LED's to indicate status and as an aid in troubleshooting.

- 8 **Field Wiring Make-up Box**

Furnished for line voltage wiring.

Factory installed internally on left side of furnace.

Box may be installed internally or externally on either side of furnace.

- 9 **24 Volt Transformer**

Furnished and factory installed in control box.

40VA transformer has circuit breaker wired in series.

OPTIONS

Thermostat

See Thermostat bulletins in Controls section and Lennox Price Book for a complete list of thermostats.

Furnace Twinning Kit

Required to operate two furnaces simultaneously.

Kit consists of twinning control and two fan sensors.

BLOWER

- 10 Multi-speed direct drive blower. Statically and dynamically balanced. Resiliently mounted.
- 11 Blower assembly easily removed for servicing. Blower speeds are easily changed on the integrated furnace control board. See blower performance tables.

CABINET

Low profile, narrow width cabinet allows easy installation. Heavy gauge cold rolled steel constructed.

Pre-painted cabinet finish.

Flue outlet on top of cabinet for up-flow applications, can be relocated to either side of cabinet for horizontal applications.

Flanges provided on supply air opening for ease of plenum connection or alignment with evaporator coil.

- 12 Fully insulated cabinet with foil faced insulation on sides and back of heating compartment and mat faced insulation in blower compartment.

- 13 Complete service access.

Safety interlock switch automatically shuts off power to unit when blower compartment access door is removed.

- 14 Gas piping and electrical inlets are provided in both sides of cabinet.

Return Air Entry:

Bottom/end entry for up-flow/horizontal applications - remove furnished bottom seal panel from cabinet.

Side return air entry for up-flow applications - corners are marked on either side of cabinet for return air cut-outs.

See dimension drawings.

NOTE - 60C and 60D size units that require air volumes over 1800 cfm must have one of the following:

1. Single side return air with transition, to accommodate 20 x 25 x 1 in. air filter. Required to maintain proper air velocity.
2. Single side return with optional RAB Return Air Base
3. Bottom return air.
4. Return air from both sides.
5. Bottom and one side return air.

See Blower Performance Tables for additional information.

FEATURES

Coil Match-Up

All furnaces exactly match C33 and CX34 cased up-flow and CH33 cased horizontal indoor coils with same letter designation in model number. No adaptor required. Engaging holes furnished on cabinet for alignment.

OPTIONS

Horizontal Support Frame Kit

Provides support of unit in horizontal applications. Consists of (2) 1 x 1-1/2 x 32-5/8 in. and (2) 1 x 3 x 53-7/8 in. painted heavy gauge cold rolled steel support channels with assembly and suspending holes. Bolts and nuts furnished for field assembly. Suspending rods must be field provided.

RAB Return Air Base

"C" and "D" width bases required with 60C and 60D models with air volumes over 1800 cfm in up-flow applications when only one side return is used. "B" width base is not required but may also be used to provide clearance in certain applications (if required). Cabinet is pre-painted steel to match the furnace. See Dimension Drawing.

FILTER (NOT FURNISHED)

Filter and provisions for external mounting must be field provided.

OPTIONS

Air Filter and Rack Kit for Horizontal Return Air (End) Applications

Washable or vacuum cleanable polyurethane frame type filter and external end return air rack available for field installation.

Rack has filter door for easy filter servicing.

Flanges on rack allow easy duct connection.

See dimension drawing.

Air Filter and Rack Kit for Up-Flow Side Return Air Applications - Not for use with RAB Return Air Base

Washable or vacuum cleanable polyurethane frame type filter and external side return air rack available for field installation.

Available in single and ten pack kits.

Rack has filter door for easy filter servicing.

Flanges on rack allow easy duct connection.

Field installs on either side of unit cabinet. See dimension drawing.

EZ Filter Base for Up-Flow Bottom Return Air Applications

Hinged door with thumbscrew for easy filter access.

Uses standard size filters (field provided).

99% WINTER DESIGN TEMPERATURES FOR THE CONTIGUOUS UNITED STATES



This map is a necessarily generalized guide to temperatures in the contiguous United States. Temperatures shown for areas such as mountainous regions and large urban centers may not be accurate. The data used to develop this map was taken from the 1993 ASHRAE Fundamentals Handbook (Chapter 24, Table 1: Climate Conditions for the United States). Reprinted with permission from NFPA 54: *National Fuel Gas Code* ©1999, National Fire Protection Association, Quincy, MA 02269. This reprinted material is not the complete and official position of the National Fire Protection Association on the referenced subject, which is represented only by the standard in its entirety.

SPECIFICATIONS

Gas Heating Performance	Model No.	G50UH -24A-045	G50UH -24A-070	G50UH -36A-070	G50UH -36B-090	G50UH -48B-090
	Low NOx Model No.	-24A-045X	- - -	-36A-070X	- - -	-48B-090X
	Input - Btuh	44,000	66,000	66,000	88,000	88,000
	Output - Btuh	35,000	53,000	53,000	71,000	71,000
	Temperature rise range - °F	35 - 65	40 - 70	40 - 70	40 - 70	40 - 70
	¹ AFUE	80.0%	80.0%	80.0%	80.0%	80.0%
	High static (CSA) - in. w.g.	.50	.50	.50	.50	.50
	Gas Manifold Pressure (in. w.g.) - Natural Gas	3.5	3.5	3.5	3.5	3.5
	LPG/Propane	10.0	10.0	10.0	10.0	10.0
Connections in.	Flue connection - round	4	4	4	4	4
	Gas pipe size IPS	1/2	1/2	1/2	1/2	1/2
Indoor Blower	Wheel nom. diameter x width - in.	10 x 7	10 x 7	10 x 8	10 x 8	10 x 10
	Motor output - hp	1/5	1/5	1/3	1/3	1/2
	Tons of add-on cooling	1.5 - 2	1.5 - 2.5	2 - 3	2 - 3	3 - 4
	Air Volume Range - cfm	355 - 1090	515 - 1075	410 - 1500	600 - 1500	810 - 1970
Shipping Data	lbs. - 1 package	121	127	132	146	153
Electrical characteristics		120 volts - 60 hertz - 1 phase (less than 12 amps)				

SPECIFICATIONS

Gas Heating Performance	Model No.	G50UH -36C-110	G50UH -48C-110	G50UH -60C-110	G50UH -48C-135	G50UH -60D-135	G50UH -60D-155
	Low NOx Model No.	- - -	- - -	-60C-110X	- - -	- - -	- - -
	Input - Btuh	110,000	110,000	110,000	132,000	132,000	154,000
	Output - Btuh	88,000	87,000	88,000	106,000	107,000	122,000
	Temperature rise range - °F	50 - 80	40 - 70	30 - 60	50 - 80	45 - 75	50 - 80
	¹ AFUE	80.0%	80.0%	80.0%	80.0%	80.0%	80.0%
	High static (CSA) - in. w.g.	.50	.50	.50	.50	.50	.50
	Gas Manifold Pressure (in. w.g.) - Natural Gas	3.5	3.5	3.5	3.5	3.5	3.5
	LPG/Propane	10.0	10.0	10.0	10.0	10.0	10.0
Connections	Flue conn. - in. round	4	4	4	2 4	2 4	2 4
	Gas pipe size IPS - in.	1/2	1/2	1/2	1/2	1/2	1/2
Indoor Blower	Wheel nom. diameter x width - in.	10 x 8	10 x 10	11-1/2 x 10	10 x 10	11-1/2 x 10	11-1/2 x 10
	Motor output - hp	1/3	1/2	1	1/2	1	1
	Tons (kW) of add-on cooling	2 - 3	3 - 4	4 - 5	2 - 4	4 - 5	4 - 5
	Air Volume Range - cfm	705 - 1555	740 - 2015	1325 - 2655	750 - 2075	1335 - 2715	1345 - 2670
Shipping Data	lbs. - 1 package	166	169	175	178	195	204
Electrical characteristics		120 volts - 60 hertz - 1 phase (less than 12 amps)					

NOTE - Filters and provisions for mounting are not furnished and must be field provided.

¹ Annual Fuel Utilization Efficiency based on DOE test procedures and according to FTC labeling regulations. Isolated combustion system rating for non-weatherized furnaces.

² Flue connection on the unit is 4 in. diameter. Most applications will require 5 in. venting and field supplied 4 x 5 in. adaptor. See Venting

Tables in the Installation Instructions for detailed information.

OPTIONAL ACCESSORIES - MUST BE ORDERED EXTRA

			"A" Width Models	"B" Width Models	"C" Width Models	"D" Width Models
FILTER KITS						
¹ Air Filter and Rack Kit	Horizontal (end)	Catalog No.	87L95	87L96	87L97	87L98
		Size of filter - in.	14 x 25 x 1	18 x 25 x 1	20 x 25 x 1	25x25 x 1
	Side Return	Single	44J22	44J22	44J22	44J22
		Ten Pack	66K63	66K63	66K63	66K63
		Size of filter - in.	16 x 25 x 1	16 x 25 x 1	16 x 25 x 1	16 x 25 x 1
EZ Filter Base Up-Flow Only	Catalog No. - Ship. Wt. - lbs.		73P55 - 7	73P56 - 7	73P57 - 8	73P58 - 10
	Size of field provided filter - in.		14 x 25 x 1	16 x 25 x 1	20 x 25 x 1	24 x 24 x 1
CABINET ACCESSORIES						
Horizontal Support Frame Kit - Horizontal Only			56J18	56J18	56J18	56J18
Return Air Base - Up-Flow Only			- - -	98M60	98M58	98M59
CONTROLS						
Twinning Kit			15L38	15L38	15L38	15L38
VENTING						
Vent Adaptor - 6 in. conn. size up-flow applications only			18M79 - 2 lbs.	18M79 - 2 lbs.	18M79 - 2 lbs.	18M79 - 2 lbs.

¹ Cleanable polyurethane frame type filter.

² Required for proper operation at altitudes from 7501 to 10,000 ft.

GAS HEAT ACCESSORIES

Input	High Altitude Orifice Kit Natural Gas Only	High Altitude Pressure Switch Kit		LPG/Propane Kit	
	7501-10,000 ft.	0-7,500 ft.	7501-10,000 ft.	0-7500 ft.	7501-10,000 ft.
-all models	44W51	No Change	56L32	25W20	25W21

INSTALLATION CLEARANCES

UP-FLOW POSITION

Vent Type	Type "B1"	Type "C"
Sides	0 in. (0 mm)	¹ 0 in. (0 mm)
Rear	0 in. (0 mm)	0 in. (0 mm)
Top	1 in. (25 mm)	1 in. (25 mm)
Front	3 in. (76 mm)	3 in. (76 mm)
Front (service/alcove)	24 in. (610 mm)	24 in. (610 mm)
Floor	Combustible	Combustible
Flue	1 in. (25 mm)	6 in. (152 mm)

NOTE - Air for combustion must conform to the methods outlined in the National Fuel Gas Code (NFPA 54/ANSI-Z223.1) or the National Standard of Canada CAN/CSA-B149.1 "Natural Gas and Propane Installation Code".

NOTE - In the U.S. flue sizing must conform to the methods outlined in the current National Fuel Gas Code (NFPA 54/ANSI-Z223.1) or applicable provisions of local building codes. In Canada flue sizing must conform to the methods outlined in National Standard of Canada CAN/CSA-B149.1.

¹ Left side requires 4 in. if single wall vent is used on 14-1/2 in. cabinets, 2 in. on 17-1/2 in. cabinets.

HORIZONTAL POSITION

Vent Type	Type "B1"	Type "C"
¹ Ends	¹ 2 in. (51 mm)	¹ 2 in. (51 mm)
Rear	0 in. (0 mm)	0 in. (0 mm)
¹ Top	¹ 0 in. (0 mm)	¹ 0 in. (0 mm)
Front	3 in. (76 mm)	3 in. (76 mm)
Front (service)	24 in. (610 mm)	24 in. (610 mm)
Floor	0 in. (0 mm)	0 in. (0 mm)
Flue	1 in. (25 mm)	6 in. (152 mm)

NOTE - Air for combustion must conform to the methods outlined in the National Fuel Gas Code (NFPA 54/ANSI-Z223.1) or the National Standard of Canada CAN/CSA-B149.1 "Natural Gas and Propane Installation Code".

NOTE - In the U.S. flue sizing must conform to the methods outlined in the current National Fuel Gas Code (NFPA 54/ANSI-Z223.1) or applicable provisions of local building codes. In Canada flue sizing must conform to the methods outlined in National Standard of Canada CAN/CSA-B149.1.

¹ Line contact installation permissible between jacket top or sides and building joists.

FILTER AIR RESISTANCE

For 1 Inch Filter (Field Provided)

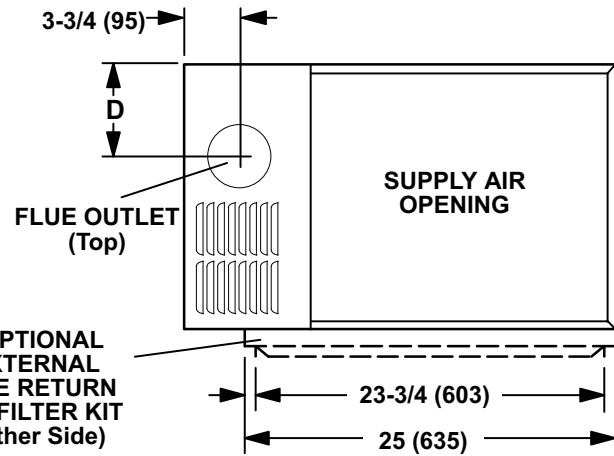
cfm	in. w.g.
0	0.00
200	0.01
600	0.04
800	0.06
1000	0.09
1200	0.12
1400	0.15
1600	0.19
1800	0.23
2000	0.27
2200	0.33
2400	0.38
2600	0.44

DIMENSIONS - INCHES (MM) - UP-FLOW POSITION

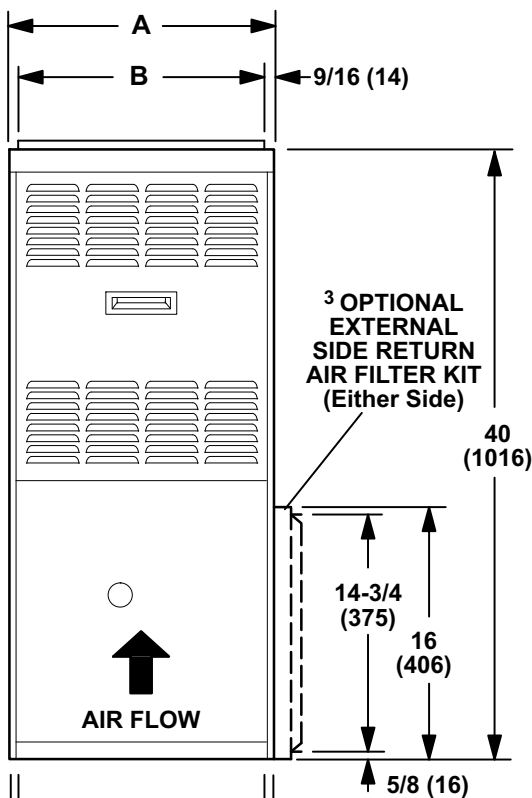
¹ NOTE - 60C and 60D size units that require air volumes over 1800 cfm (850 L/s) must have one of the following:
 1. Single side return air with transition, to accommodate 20 x 25 x 1 in. (508 x 635 x 25 mm) air filter. Required to maintain proper air velocity across the filter.
 2. Single side return air with optional RAB Return Air Base
 3. Bottom return air.
 4. Return air from both sides.
 5. Bottom and one side return air.
 See Blower Performance Tables for additional information.

² Flue outlet may be horizontal but furnace must be vented vertically

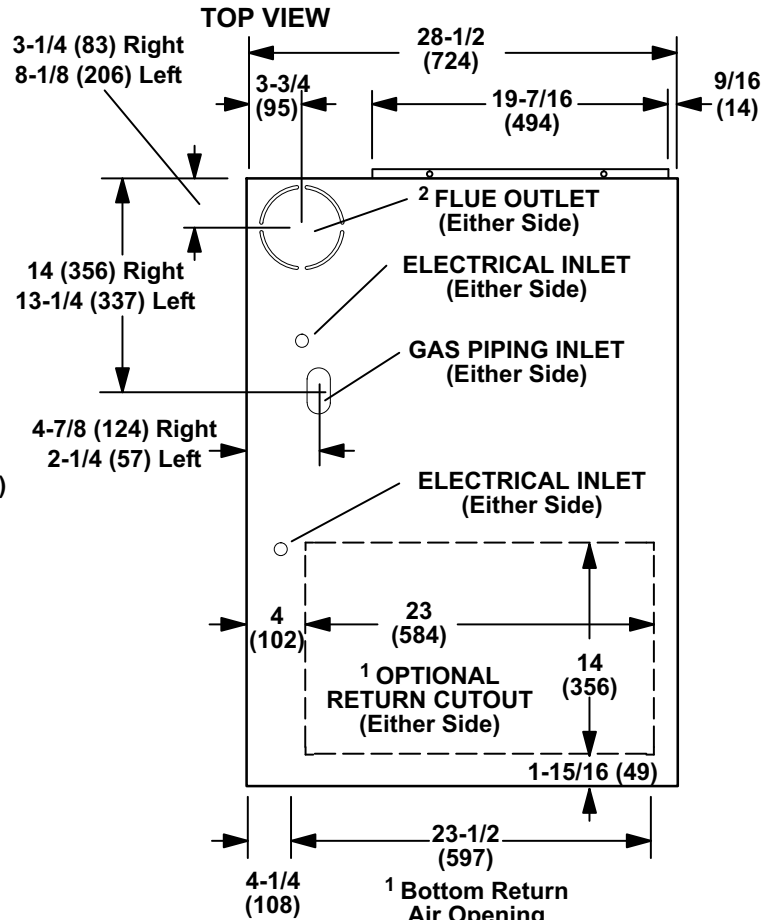
³ Optional External Side Return Air Filter Kit is not for use with the optional RAB Return Air Base.



TOP VIEW



¹ Bottom Return Air Opening
FRONT VIEW



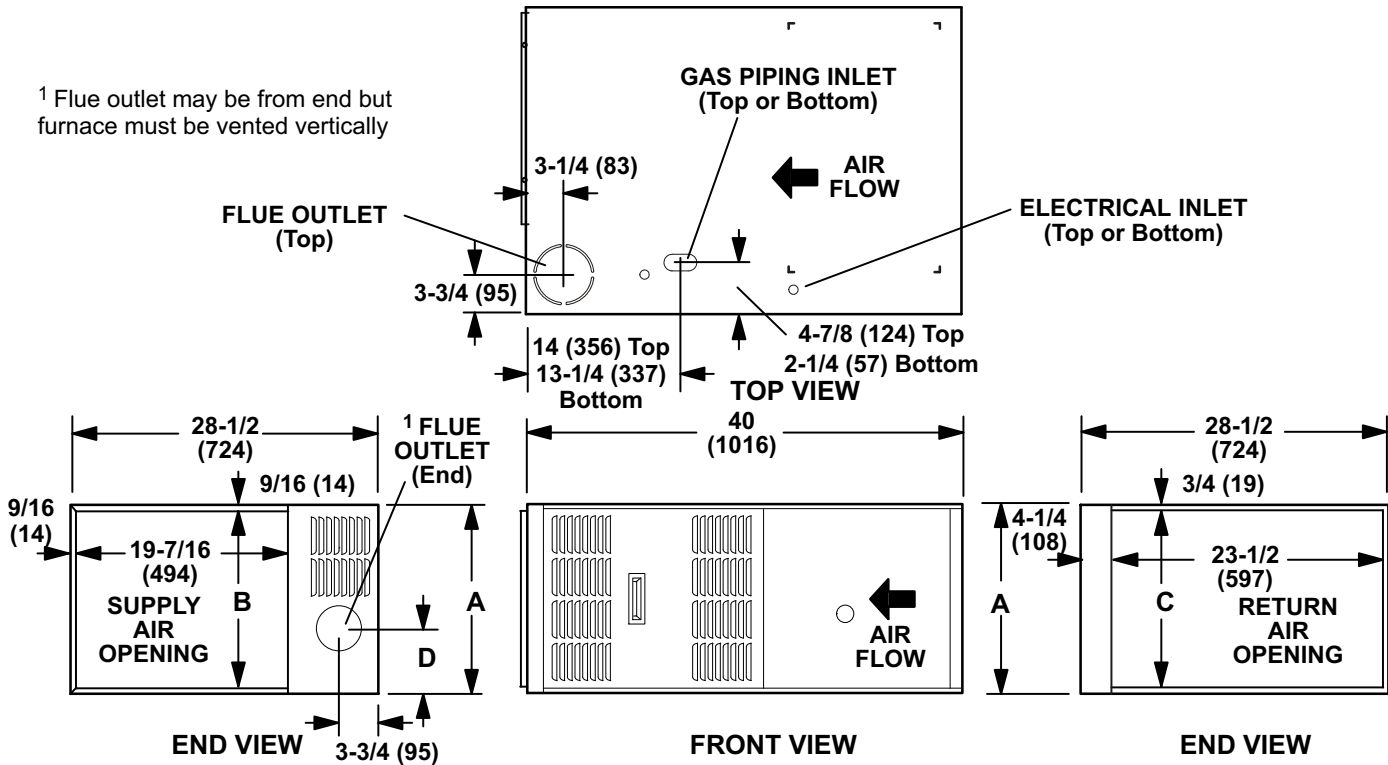
¹ Bottom Return Air Opening
SIDE VIEW

Model No.	A		B		C		D	
	in.	mm	in.	mm	in.	mm	in.	mm
G50UH-24A-045 G50UH-24A-070 G50UH-36A-070	14-1/2	368	13-3/8	340	13	330	4-1/2	114
G50UH-36B-090 G50UH-48B-090	17-1/2	446	16-3/8	416	16	406	6	152
G50UH-36C-110 G50UH-48C-110 G50UH-48C-135 G50UH-60C-110	21	533	19-7/8	504	19-1/2	495	7-3/4	197
G50UH-60D-135 G50UH-60D-155	24-1/2	622	23-3/8	546	23	584	9-1/2	241

DIMENSIONS - INCHES (MM) - HORIZONTAL POSITION

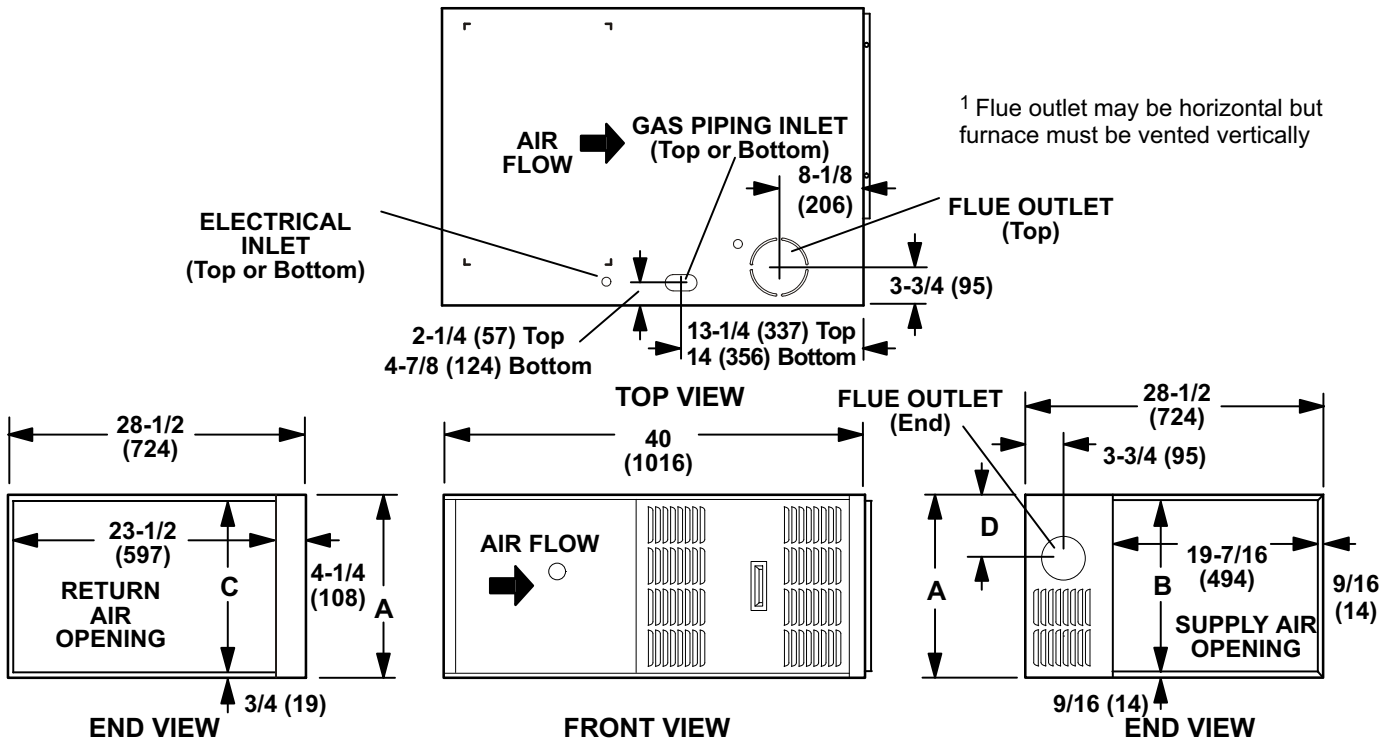
LEFT-HAND AIR DISCHARGE

¹ Flue outlet may be from end but furnace must be vented vertically



RIGHT-HAND AIR DISCHARGE

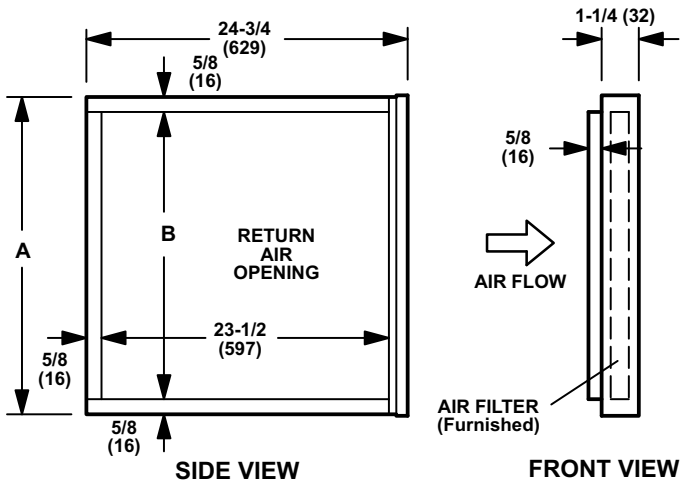
¹ Flue outlet may be horizontal but furnace must be vented vertically



Model No.	A		B		C		D	
	in.	mm	in.	mm	in.	mm	in.	mm
G50UH-24A-045 G50UH-24A-070 G50UH-36A-070	14-1/2	368	13-3/8	340	13	330	4-1/2	114
G50UH-36B-090 G50UH-48B-090	17-1/2	446	16-3/8	416	16	406	6	152
G50UH-36C-110 G50UH-48C-110 G50UH-48C-135 G50UH-60C-110	21	533	19-7/8	504	19-1/2	495	7-3/4	197
G50UH-60D-135 G50UH-60D-155	24-1/2	622	23-3/8	546	23	584	9-1/2	241

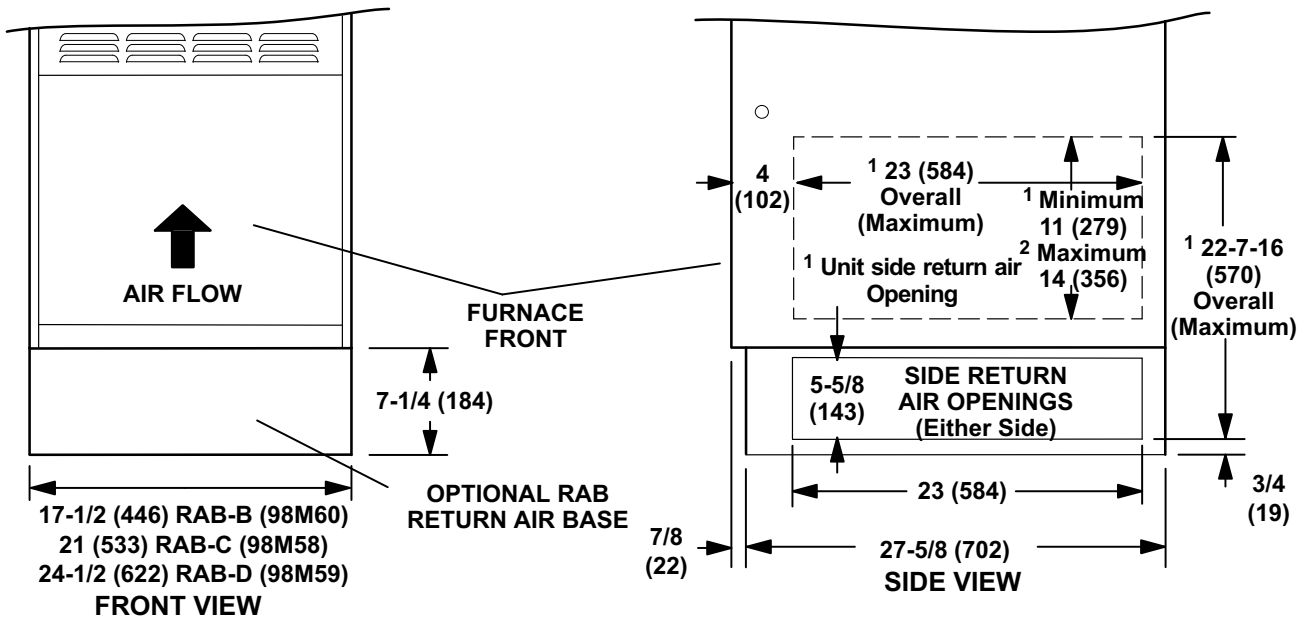
OPTIONAL ACCESSORY DIMENSIONS - INCHES (MM)

HORIZONTAL FILTER KIT



Catalog Number	A		B	
	inch	mm	inch	mm
87L95	14	356	12-3/4	324
87L96	18	457	16-3/4	425
87L97	21	533	18-3/4	476
87L98	25	635	23-3/4	603

RAB RETURN AIR BASE (Up-Flow Applications Only) For use with B, C, and D size furnaces only



NOTE- Optional Side Return Air Filter Kits are not for use with RAB Return Air Base.

¹ Both the unit return air opening and the base return air opening must be covered by a single plenum or IAQ cabinet.

Minimum unit side return air opening dimensions for units requiring 1800 cfm or more of air (W x H): 23 x 11 in. (584 x 279 mm).

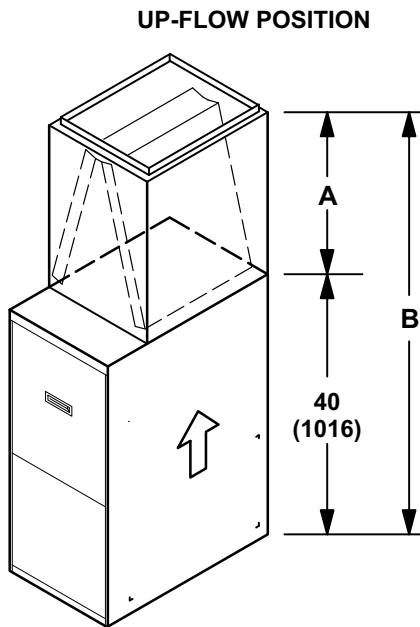
The opening can be cut as needed to accommodate plenum or IAQ cabinet while maintaining dimensions shown.

Side return air openings must be cut in the field. There are cutting guides stenciled on the cabinet for the side return air opening. The size of the opening must not extend beyond the markings on the furnace cabinet.

² To minimize pressure drop, the largest opening height possible (up to 14 inches) is preferred.

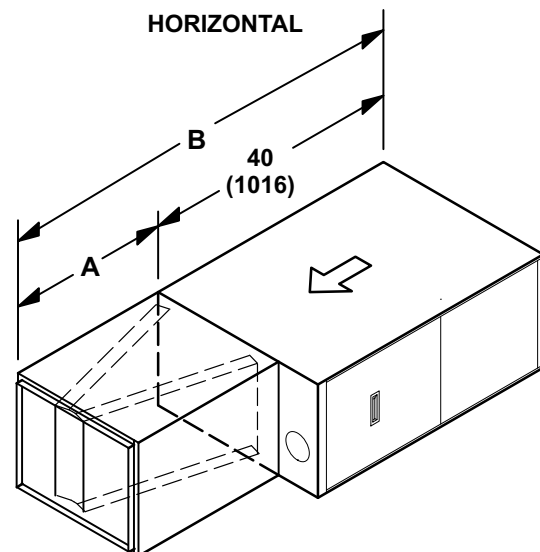
NOTE- Optional Side Return Air Filter Kits are not for use with RAB Return Air Base.

DIMENSIONS - INCHES (MM) - FURNACE/COIL COMBINED DIMENSIONS



Model No	Cased				Uncased (CX34 - cased only)				
	A		B		A		B		
	in.	mm	in.	mm	in.	mm	in.	mm	
C33-18A	12-1/2	318	52-1/2	1334	9-3/4	248	49-3/4	1264	
CX34-19A-6F	C33-19A	16-1/2	419	56-1/2	1435	9-3/4	248	49-3/4	1264
C33-24A	16-1/2	419	56-1/2	1435	14	356	54	1372	
CX34-18/24A-6F	C33-24B	16-1/2	419	56-1/2	1435	13-7/8	352	53-7/8	1368
CX34-18/24B-6F	C33-24C								
CX34-18/24C-6F									
CX34-25A-6F	C33-25A	18-1/2	470	58-1/2	1486	16-1/4	413	56-1/4	1429
CX34-25B-6F	C33-25B	18-1/2	470	58-1/2	1486	15-7/8	403	55-7/8	1419
CX34-30B-6F	C33-30B	20-1/2	521	60-1/2	1537	17-3/4	451	59-3/4	1467
CX34-30C-6F	C33-30C								
CX34-30A-6F	C33-30A	20-1/2	521	60-1/2	1537	18	457	58	1473
CX34-31A-6F	C33-31A	22-1/2	572	62-1/2	1588	21-1/4	540	61-1/4	1556
CX34-31B-6F	C33-31B	22-1/2	572	62-1/2	1588	20-1/4	514	60-1/4	1530
CX34-36A-6F	C33-36A	24-1/2	622	64-1/2	1638	22-1/8	562	62-1/8	1578
CX34-36B-6F	C33-36B	24-1/2	622	64-1/2	1638	21-7/8	556	61-7/8	1572
CX34-36C-6F	C33-36C	24-1/2	622	64-1/2	1638	21-1/4	540	61-1/4	1556
CX34-38A-6F	C33-38A	24-1/2	622	64-1/2	1638	22-1/4	565	62-1/4	1581
CX34-38B-6F	C33-38B	24-1/2	622	64-1/2	1638	22	559	62	1575
CX34-42B-6F	C33-42B	24-1/2	622	64-1/2	1638	21-7/8	556	61-7/8	1572
CX34-43B-6F	C33-43B	27-1/2	699	67-1/2	1715	26-1/4	667	66-1/4	1683
CX34-43C-6F	C33-43C	27-1/2	699	67-1/2	1715	25-3/4	654	65-3/4	1670
	C33-44C	24-1/2	622	64-1/2	1638	21-1/2	546	61-1/2	1562
CX34-44/48B-6F	C33-48B	24-1/2	622	64-1/2	1638	22-1/8	562	62-1/8	1578
CX34-44/48C-6F	C33-48C	24-1/2	622	64-1/2	1638	21-1/2	546	61-1/2	1562
CX34-49C-6F	C33-49C	30-1/2	775	70-1/2	1791	28-1/2	724	68-1/2	1740
CX34-50/60C-6F	C33-50/60C	27-1/2	699	67-1/2	1715	24-3/4	629	64-3/4	1645
CX34-60D-6F	C33-60D	25-1/2	648	65-1/2	1664	24-3/4	629	64-3/4	1645
CX34-62C-6F	C33-62C	31-1/2	800	71-1/2	1816	30-5/8	778	70-5/8	1793
CX34-62D-6F	C33-62D	29-1/2	749	69-1/2	1765	28-3/4	730	68-3/4	1746

Model Number	A		B	
	in.	mm	in.	mm
CH33-18A-2F	21-1/2	546	61-1/2	1562
CH33-24/30A-2F	26-1/2	673	66-1/2	1689
CH33-36A-2F				
CH33-36B-2F				
CH33-36C-2F				
CH33-44/48B-2F	31-1/2	800	71-1/2	1816
CH33-50/60C-2F				



BLOWER/WATTS DATA

NOTES - All air data is measured external to unit with 1 in. cleanable filter (not furnished - field provided) in place. Also see Filter Air Resistance table.
Air volume based on bottom air return air. Actual air volume may vary on side return air applications.

G50UH-24A-045 PERFORMANCE

External Static Pressure in. w.g.	Air Volume / Watts at Various Blower Speeds					
	High		Medium		Low	
	cfm	Watts	cfm	Watts	cfm	Watts
0.00	1090	460	905	390	725	300
0.10	1065	445	895	385	710	295
0.20	1030	425	890	375	690	290
0.30	995	410	860	365	665	280
0.40	960	395	840	350	650	270
0.50	910	380	795	335	610	260
0.60	840	355	750	315	540	245
0.70	770	340	665	295	490	235
0.80	660	315	555	275	420	225
0.90	560	295	480	260	355	210

G50UH-24A-070 PERFORMANCE

External Static Pressure in. w.g.	Air Volume / Watts at Various Blower Speeds					
	High		Medium		Low	
	cfm	Watts	cfm	Watts	cfm	Watts
0.00	1075	445	905	375	730	290
0.10	1065	440	895	370	720	285
0.20	1055	430	885	360	710	280
0.30	1030	415	875	355	690	270
0.40	1010	400	860	350	675	270
0.50	975	390	840	340	660	265
0.60	940	375	805	325	640	255
0.70	890	360	755	305	605	240
0.80	830	340	700	285	565	225
0.90	765	305	640	265	515	205

G50UH-36A-070 PERFORMANCE

External Static Pressure in. w.g.	Air Volume / Watts at Various Blower Speeds							
	High		Medium-High		Medium-Low		Low	
	cfm	Watts	cfm	Watts	cfm	Watts	cfm	Watts
0.00	1500	705	1290	565	985	455	830	375
0.10	1450	680	1255	545	970	440	810	360
0.20	1400	655	1225	525	955	425	795	350
0.30	1340	630	1180	500	930	405	780	335
0.40	1285	610	1140	475	900	390	745	325
0.50	1215	580	1080	450	865	375	705	310
0.60	1150	560	1015	430	810	355	655	290
0.70	1060	535	940	405	730	330	585	270
0.80	955	515	800	370	655	305	480	260
0.90	785	475	605	325	585	270	410	255

G50UH-36B-090 PERFORMANCE

External Static Pressure in. w.g.	Air Volume / Watts at Various Blower Speeds							
	High		Medium-High		Medium-Low		Low	
	cfm	Watts	cfm	Watts	cfm	Watts	cfm	Watts
0.00	1500	720	1255	595	1040	460	900	370
0.10	1465	685	1240	570	1035	445	890	360
0.20	1435	660	1225	545	1030	435	880	350
0.30	1400	630	1200	520	1020	415	870	340
0.40	1345	595	1170	495	1000	400	855	330
0.50	1300	575	1135	475	965	380	830	300
0.60	1235	545	1080	445	930	360	780	290
0.70	1165	510	1020	415	870	340	740	280
0.80	1080	480	940	385	800	315	670	260
0.90	985	445	840	355	710	290	600	245

G50UH-36C-110 PERFORMANCE

External Static Pressure in. w.g.	Air Volume / Watts at Various Blower Speeds							
	High		Medium-High		Medium-Low		Low	
	cfm	Watts	cfm	Watts	cfm	Watts	cfm	Watts
0.00	1555	715	1335	575	1085	460	925	365
0.10	1525	690	1320	545	1075	440	915	355
0.20	1490	670	1295	525	1065	420	900	340
0.30	1440	645	1260	495	1050	405	880	330
0.40	1385	615	1230	485	1030	390	865	320
0.50	1320	590	1190	460	995	375	835	300
0.60	1260	570	1135	430	960	355	815	295
0.70	1190	545	1075	410	915	345	775	285
0.80	1090	515	970	385	860	325	760	280
0.90	975	485	880	360	790	305	705	275

G50UH-48B-090 PERFORMANCE

External Static Pressure in. w.g.	Air Volume / Watts at Various Blower Speeds							
	High		Medium-High		Medium-Low		Low	
	cfm	Watts	cfm	Watts	cfm	Watts	cfm	Watts
0.00	1970	790	1810	735	1585	670	1340	565
0.10	1915	765	1760	695	1570	630	1325	540
0.20	1840	730	1700	620	1545	600	1320	520
0.30	1765	695	1640	625	1490	565	1295	500
0.40	1695	670	1570	595	1440	540	1260	480
0.50	1600	635	1490	560	1360	505	1195	450
0.60	1505	600	1400	530	1285	480	1140	425
0.70	1395	565	1265	485	1170	440	990	380
0.80	1250	520	1100	445	975	390	905	355
0.90	1005	460	870	385	900	365	810	325

BLOWER/WATTS DATA

NOTE - All air data is measured external to unit with 1 in. cleanable filter (not furnished - field provided) in place. Also see Filter Air Resistance table.

G50UH-48C-110 PERFORMANCE

External Static Pressure in. w.g.	Air Volume / Watts at Various Blower Speeds							
	High		Medium-High		Medium-Low		Low	
	cfm	Watts	cfm	Watts	cfm	Watts	cfm	Watts
0.00	2015	895	1620	780	1340	640	1150	525
0.10	1965	850	1610	745	1340	640	1150	525
0.20	1895	805	1600	710	1335	615	1150	525
0.30	1820	765	1580	675	1330	590	1145	515
0.40	1740	725	1530	635	1320	560	1140	490
0.50	1665	695	1475	600	1285	525	1120	470
0.60	1575	650	1405	555	1230	490	1075	445
0.70	1475	610	1310	515	1165	470	1015	415
0.80	1350	560	1210	485	1080	430	930	380
0.90	1210	520	1070	430	870	365	740	325

G50UH-48C-135 PERFORMANCE

External Static Pressure in. w.g.	Air Volume / Watts at Various Blower Speeds							
	High		Medium-High		Medium-Low		Low	
	cfm	Watts	cfm	Watts	cfm	Watts	cfm	Watts
0.00	2075	820	1800	710	1425	570	1115	435
0.10	1990	790	1765	675	1420	545	1125	430
0.20	1905	745	1715	645	1405	525	1120	420
0.30	1825	715	1650	610	1375	505	1105	405
0.40	1740	680	1585	580	1355	485	1090	390
0.50	1640	645	1495	545	1300	455	1050	370
0.60	1540	615	1420	515	1225	430	1000	355
0.70	1420	575	1310	475	1140	400	935	330
0.80	1260	520	1155	425	1025	365	865	315
0.90	1125	495	1010	385	880	330	750	285

NOTES - Air volume based on bottom air return air. Actual air volume may vary on side return air applications.

G50UH-60C-110 PERFORMANCE

External Static Pressure in. w.g.	Air Volume / Watts at Different Blower Speeds															
	Bottom Return Air, Side Return Air with Optional RAB Return Air Base, Return Air from Both Sides or Return Air from Bottom and One Side.								Single Side Return Air - Air volumes in bold require field fabricated transition to accommodate 20 x 25 x 1 in. air filter in order to maintain proper air velocity.							
	High		Medium-High		Medium-Low		Low		High		Medium-High		Medium-Low		Low	
	cfm	Watts	cfm	Watts	cfm	Watts	cfm	Watts	cfm	Watts	cfm	Watts	cfm	Watts	cfm	Watts
.00	2655	1407	2370	1063	2085	894	1665	679	2430	1309	2245	1006	1910	843	1635	686
.10	2580	1376	2350	1043	2065	875	1650	667	2355	1277	2190	978	1905	817	1620	677
.20	2500	1346	2305	1012	2045	849	1645	662	2280	1242	2140	950	1885	797	1610	667
.30	2410	1305	2230	978	2010	820	1640	649	2205	1218	2075	924	1860	782	1605	655
.40	2320	1270	2165	947	1940	786	1625	634	2130	1189	2005	905	1815	752	1595	636
.50	2225	1235	2090	914	1895	763	1610	622	2045	1159	1920	864	1750	726	1565	619
.60	2130	1205	2000	880	1840	740	1570	603	1955	1132	1850	840	1700	705	1525	605
.70	2030	1155	1915	851	1760	709	1535	590	1860	1105	1760	817	1610	674	1475	582
.80	1925	1123	1820	823	1670	681	1475	566	1755	1067	1670	789	1540	654	1395	560
.90	1795	1078	1690	788	1560	655	1395	537	1645	1033	1575	763	1445	627	1325	540

G50UH-60D-135 PERFORMANCE

External Static Pressure in. w.g.	Air Volume / Watts at Different Blower Speeds															
	Bottom Return Air, Side Return Air with Optional RAB Return Air Base, Return Air from Both Sides or Return Air from Bottom and One Side.								Single Side Return Air - Air volumes in bold require field fabricated transition to accommodate 20 x 25 x 1 in. air filter in order to maintain proper air velocity.							
	High		Medium-High		Medium-Low		Low		High		Medium-High		Medium-Low		Low	
	cfm	Watts	cfm	Watts	cfm	Watts	cfm	Watts	cfm	Watts	cfm	Watts	cfm	Watts	cfm	Watts
.00	2715	1407	2255	1070	1910	850	1660	674	2455	1336	2170	1019	1850	829	1555	673
.10	2640	1403	2250	1030	1900	834	1645	668	2380	1299	2140	974	1840	812	1550	664
.20	2540	1355	2245	1006	1890	821	1630	665	2305	1266	2105	947	1830	791	1545	656
.30	2480	1319	2200	975	1890	781	1625	656	2235	1234	2045	914	1820	774	1540	642
.40	2390	1282	2155	940	1885	775	1615	642	2160	1240	1985	886	1800	755	1540	628
.50	2320	1251	2085	904	1860	758	1605	631	2065	1170	1925	863	1745	726	1535	614
.60	2205	1210	2020	876	1815	731	1595	611	1990	1146	1870	844	1700	706	1505	599
.70	2080	1161	1935	839	1760	707	1545	588	1895	1111	1775	808	1655	689	1465	573
.80	2010	1122	1855	810	1690	679	1495	568	1805	1074	1680	779	1565	656	1425	562
.90	1880	1071	1755	781	1585	646	1430	545	1695	1042	1590	752	1480	630	1335	533

BLOWER/WATTS DATA

NOTE - All air data is measured external to unit with 1 in. cleanable filter (not furnished - field provided) in place. Also see Filter Air Resistance table.

G50UH-60D-155 PERFORMANCE

External Static Pressure in. w.g.	Air Volume / Watts at Different Blower Speeds															
	Bottom Return Air, Side Return Air with Optional RAB Return Air Base, Return Air from Both Sides or Return Air from Bottom and One Side.						Single Side Return Air - Air volumes in bold require field fabricated transition to accommodate 20 x 25 x 1 in. air filter in order to maintain proper air velocity.									
	High		Medium-High		Medium-Low		Low		High		Medium-High		Medium-Low		Low	
	cfm	Watts	cfm	Watts	cfm	Watts	cfm	Watts	cfm	Watts	cfm	Watts	cfm	Watts	cfm	Watts
.00	2670	1386	2325	1048	1970	857	1700	706	2410	1282	2175	987	1870	833	1620	675
.10	2580	1342	2320	1045	1965	842	1690	696	2335	1257	2140	956	1860	810	1610	667
.20	2510	1311	2255	985	1960	817	1640	662	2255	1225	2085	918	1855	788	1605	658
.30	2425	1277	2210	953	1955	803	1635	649	2205	1200	2025	896	1830	764	1600	647
.40	2345	1246	2150	922	1925	778	1630	633	2120	1164	1975	874	1795	742	1595	628
.50	2255	1217	2095	897	1890	752	1615	618	2040	1131	1905	847	1745	731	1575	618
.60	2170	1182	2010	863	1840	733	1590	605	1955	1103	1835	820	1695	698	1540	601
.70	2090	1139	1925	833	1785	708	1550	588	1870	1069	1760	792	1635	673	1465	568
.80	1895	1106	1840	806	1710	683	1500	571	1770	1041	1670	763	1560	646	1415	548
.90	1855	1064	1740	776	1620	655	1430	551	1660	1006	1585	740	1480	629	1345	527

REVISIONS

Sections	Description of Change
Optional Accessories Table/ Gas Heating Accessories	Updated High Altitude Pressure Switch Kits, updated High Altitude Orifice Kits
Dimensions	Changed height on cased, CX34-19A, CX34-25A/B, CX34-31A/B, CX34-43B/C, CX34-62C



LENNOX

Visit us at www.lennox.com

For the latest technical information, www.lennoxravenet.com

Contact us at 1-800-4-LENNOX

NOTE - Due to Lennox' ongoing commitment to quality, Specifications, Ratings and Dimensions subject to change without notice and without incurring liability. Improper installation, adjustment, alteration, service or maintenance can cause property damage or personal injury. Installation and service must be performed by a qualified installer and servicing agency.

©2008 Lennox Industries Inc.