



# VARIABLE REFRIGERANT FLOW SYSTEMS

## VRF VHIA

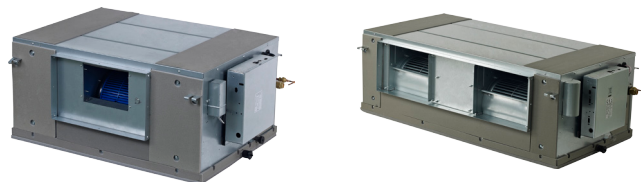
### Concealed High Static Ducted Indoor Models - 60HZ

Bulletin No. 210697  
July 2015  
Supersedes July 2014

## PRODUCT SPECIFICATIONS

Compact design for limited space requirements. Installs out of sight between the drop ceiling and ceiling slab with ducted distribution to the indoor space.

All models have three-stage fan with integrated electric control box. External static pressure up to 1.13 in. water gauge, allowing extended ductwork if necessary.



## CONTENTS

Blower Data . . . . .	10
Cooling Capacity . . . . .	11
Dimensions . . . . .	4
Heating Capacity . . . . .	13
Installation Clearances . . . . .	7
Model Number Identification . . . . .	1
Sound Data . . . . .	8
Specifications . . . . .	2

## APPROVALS

- Units are ETL certified for the U.S. and Canada.

## WARRANTY

- **Components** - Limited one year.

## FEATURES

- **Pre-Heat Function** - Delays the operation of the fan until the indoor coil has reached a pre-determined temperature which prevents the discharge of cold air while the system is operating in the “heating” mode.
- **LED Readout/Infrared Receiver Panel** - Mounted on unit (may be remotely located). LEDs display unit operation status, and codes for maintenance and servicing. Infrared receiver for use with a wireless remote control (not furnished).
- **Auto Addressing (Heat Pump Systems Only)** - An optional wireless remote control (not furnished) can be used to inquire and modify each indoor unit’s address.



- **Auto Restart** - Automatically restores the previous function setting if power is interrupted.
- **Condensate Pump Connection** - Control board has connection for condensate pump (pump not furnished).
- **Electronic Expansion Valve** - Assures optimal performance throughout the application range.
- **Flare Connections** - Equipped with liquid and gas flare fittings for quick and secure piping.
- **Air Filter** - Cleanable air filter is furnished as standard.

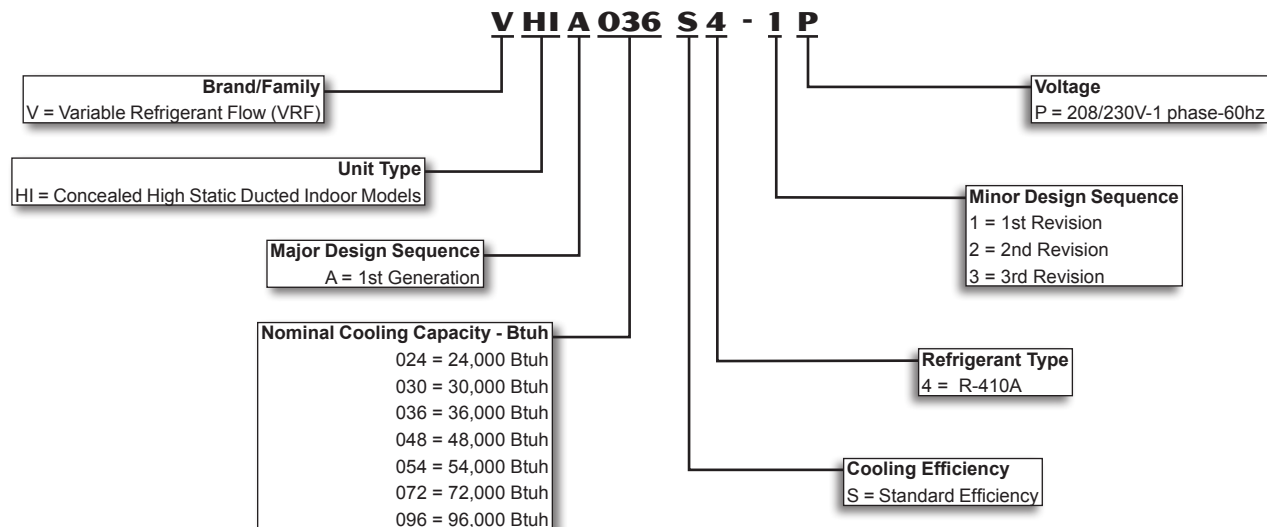
## Optional Accessories

### Drain Pump Kit (024-054 Models Only)

- Drain pump kit V8DRNP04 (12A57), 27-1/2 in. lift.



## MODEL NUMBER IDENTIFICATION



**SPECIFICATIONS**
**024 - 048**

General Data		Nominal kBtuh	24	30	36	48
		Model Number	VHIA024S4	VHIA030S4	VHIA036S4	VHIA048S4
<sup>1</sup> Cooling Performance	Net Cooling Capacity - Btuh		24,000	30,000	38,000	48,000
	Total Unit Power Input (W)		435	430	430	555
	Rated current (A)		2.0	2.05	2.05	2.5
<sup>1</sup> Heating Performance	Net Heating Capacity - Btuh		27,300	34,100	42,700	54,600
	Total Unit Power Input (W)		435	430	430	555
	Rated current (A)		2.0	2.05	2.05	2.5
Refrigerant	Type		R-410A	R-410A	R-410A	R-410A
Indoor fan motor	Input - W		392	359	405	508
	Speed (high / medium / low) - rpm		1285 / 1210 / 1140	1060 / 1030 / 935	1060 / 1030 / 935	985 / 930 / 865
Indoor coil	Number of rows		2	3	3	4
	Fin spacing - in.		1/16	1/16	1/16	1/16
	Number of circuits		3	7	7	7
	Tube outside diameter and type - in.		3/8 - Rifled Copper Tubing			
	Fin type		Hydrophilic Coated Aluminum			
	Expansion device type		Electronic Expansion Valve			
	Design Pressure (high / low)- psig		650 / 250			
Indoor Coil Connections	Liquid pipe o.d. - in. (flare)		3/8	3/8	3/8	3/8
	Gas pipe o.d. - in. (flare)		5/8	5/8	5/8	5/8
	Drain connection o.d. - in.		(1) 1-1/4	(1) 1-1/4	(1) 1-1/4	(1) 1-1/4
Indoor Blower	Airflow (high / medium / low) - cfm		1012 / 902 / 788	1326 / 1195 / 948	1294 / 1164 / 924	1746 / 1586 / 1453
	External static pressure - in. w.g.		0.10 - 0.80	0.15 - 0.80	0.20 - 0.80	0.20 - 0.80
	Sound data (high / medium / low) dBA		48 / 46 / 44.5	52 / 49 / 47	52 / 49 / 47	53 / 50 / 48
Control Wiring (AWG)		18/3 gauge (3-core shielded)				
Weight Data	Unit weight (net / shipping) - lbs.		102 / 115	110 / 125	111 / 125	153 / 167
<b>ELECTRICAL DATA</b>						
	Line voltage data - 60 hz - 1ph		208/230V	208/230V	208/230V	208/230V
	<sup>2</sup> Maximum overcurrent protection (amps)		15	15	15	15
	<sup>3</sup> Minimum circuit ampacity		2.4	2.5	2.5	3.0
	Indoor Blower Motor - Full load amps		1.89	1.99	1.99	2.38

<sup>1</sup> Nominal capacities are based on the following conditions (with 25 ft. of connecting refrigerant lines);

- Cooling Ratings - 95°F outdoor air temperature and 80°F db/67°F wb entering indoor coil air.
- Heating Ratings - 47°F db/43°F wb outdoor air temperature and 70°F db entering indoor coil air.

<sup>2</sup> HACR type circuit breaker or fuse.

<sup>3</sup> Refer to National or Canadian Electrical Code manual to determine wire, fuse and disconnect size requirements.

**SPECIFICATIONS****054 - 096**

General Data		Nominal kBtuh	54	72	96
		Model Number	VHIA054S4	VHIA072S4	VHIA096S4
<sup>1</sup> Cooling Performance	Net Cooling Capacity - Btuh		54,000	72,000	96,000
	Total Unit Power Input (W)		555	1490	1490
	Rated current (A)		2.5	6.5	6.5
<sup>1</sup> Heating Performance	Net Heating Capacity - Btuh		56,400	80,000	105,000
	Total Unit Power Input (W)		555	1490	1490
	Rated current (A)		2.5	6.5	6.5
Refrigerant	Type		R-410A	R-410A	R-410A
Indoor fan motor	Input - W		508	(2) 745	(2) 745
	Speed (high / medium / low) - rpm		985 / 930 / 865	1090 / 995 / 845	1090 / 995 / 845
Indoor coil	Number of rows		4	4	4
	Fin spacing - in.		1/16	1/16	1/16
	Number of circuits		7	8	8
	Tube outside diameter and type - in.		3/8 - Rifled Copper Tubing		
	Fin type		Hydrophilic Coated Aluminum		
	Expansion device type		Electronic Expansion Valve		
	Design Pressure (high / low)- psig		650 / 250		
Indoor Coil Connections	Liquid pipe o.d. - in. (flare)		3/8	(2) 3/8	(2) 3/8
	Gas pipe o.d. - in. (flare)		5/8	(2) 5/8	(2) 5/8
	Drain connection o.d. - in.		(1) 1-1/4	(1) 1-1/4	(1) 1-1/4
Indoor Blower	Airflow (high / medium / low) - cfm		1746 / 1586 / 1453	2260 / 2116 / 1748	2260 / 2116 / 1748
	External static pressure - in. w.g.		0.20 - 0.80	0.20 - 1.13	0.20 - 1.13
	Sound data (high / medium / low) dBA		54 / 52 / 50	59 / 55 / 52	59 / 55 / 52
Control Wiring (AWG)		18/3 gauge (3-core shielded)			
Weight Data	Unit weight (net / shipping) - lbs.		153 / 167	218 / 284	218 / 284
<b>ELECTRICAL DATA</b>					
	Line voltage data - 60 hz - 1ph		208/230V	208/230V	208/230V
	<sup>2</sup> Maximum overcurrent protection (amps)		15	15	15
	<sup>3</sup> Minimum circuit ampacity		3.0	7.5	7.5
	Indoor Blower Motor - Full load amps		2.38	(2) 3	(2) 3

<sup>1</sup> Nominal capacities are based on the following conditions (with 25 ft. of connecting refrigerant lines);

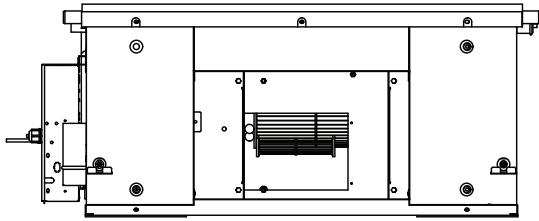
- Cooling Ratings - 95°F outdoor air temperature and 80°F db/67°F wb entering indoor coil air.
- Heating Ratings - 47°F db/43°F wb outdoor air temperature and 70°F db entering indoor coil air.

<sup>2</sup> HACR type circuit breaker or fuse.

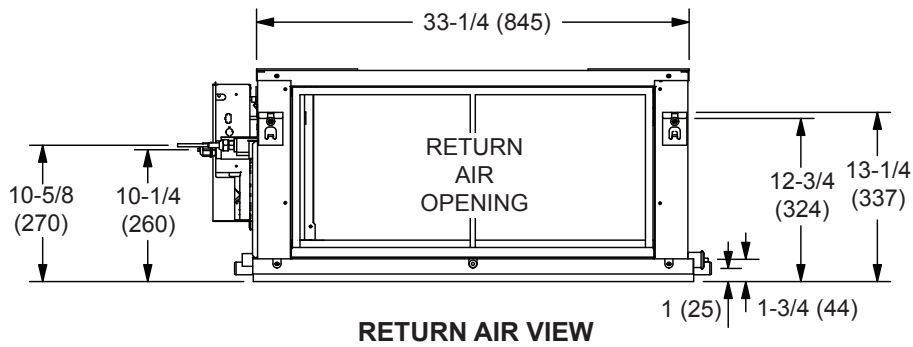
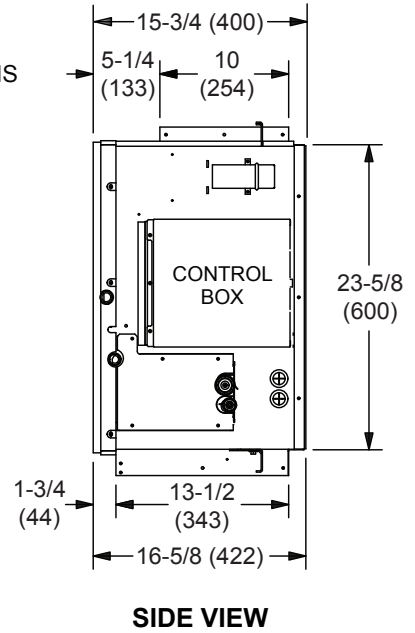
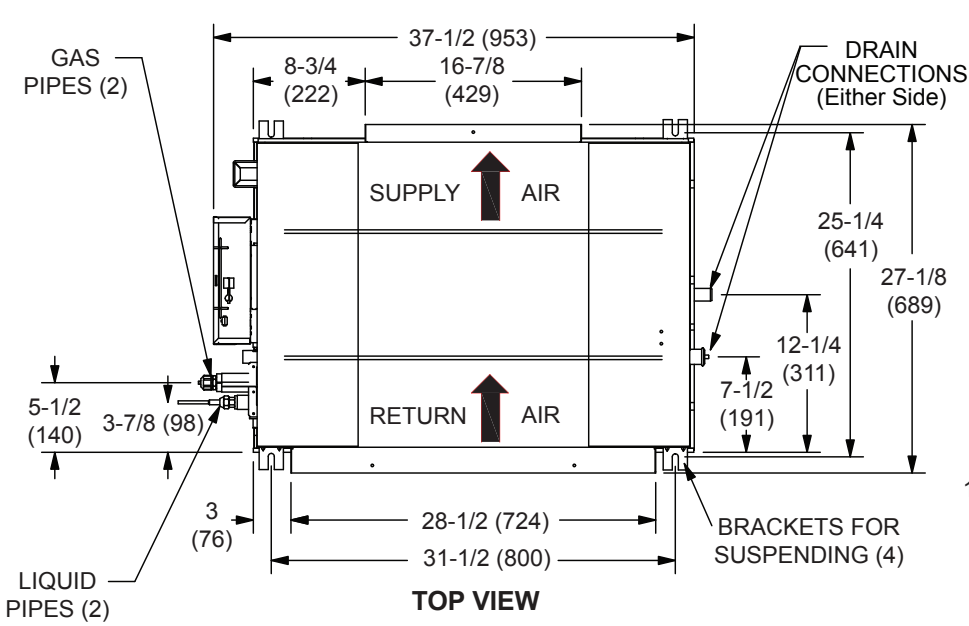
<sup>3</sup> Refer to National or Canadian Electrical Code manual to determine wire, fuse and disconnect size requirements.

**DIMENSIONS - INCHES (MM)**

VHIA024S4, VHIA030S4, VHIA036S4

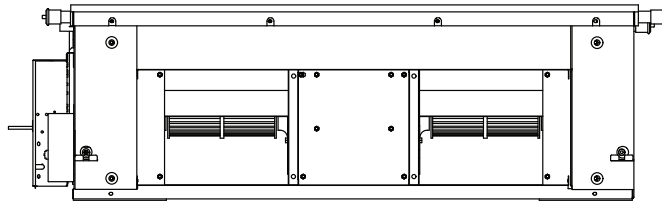


**SUPPLY AIR VIEW**

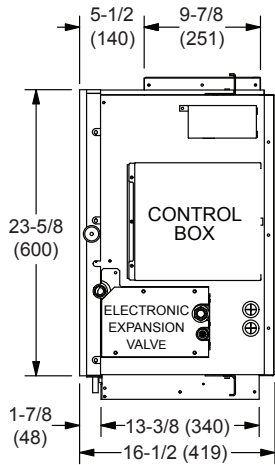


# DIMENSIONS - INCHES (MM)

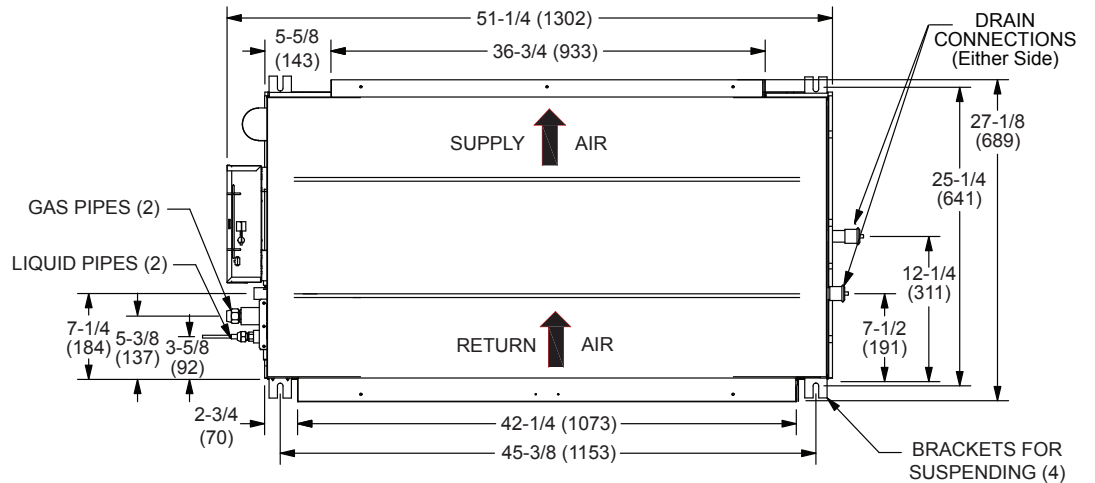
VHIA048S4, VHIA054S4



**SUPPLY AIR VIEW**



**SIDE VIEW**



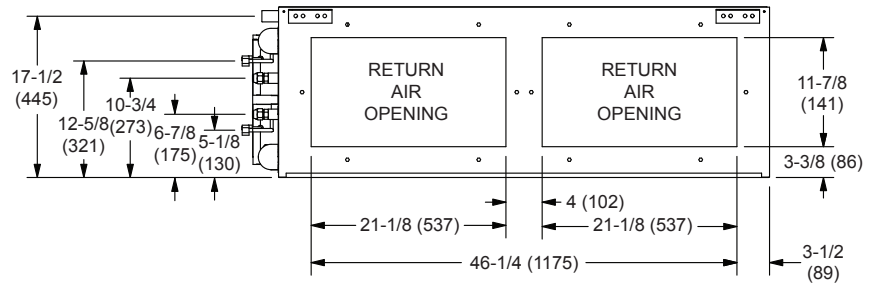
**TOP VIEW**



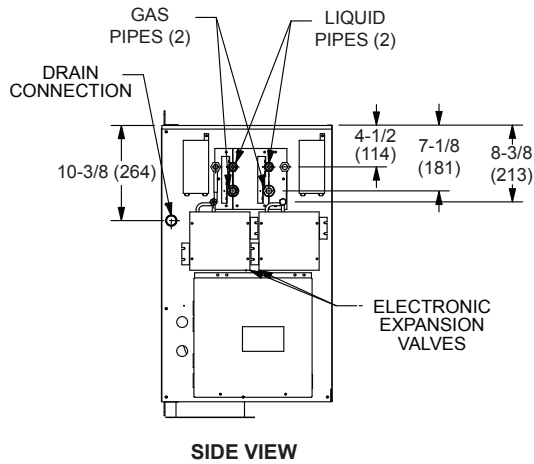
**RETURN AIR VIEW**

# DIMENSIONS - INCHES (MM)

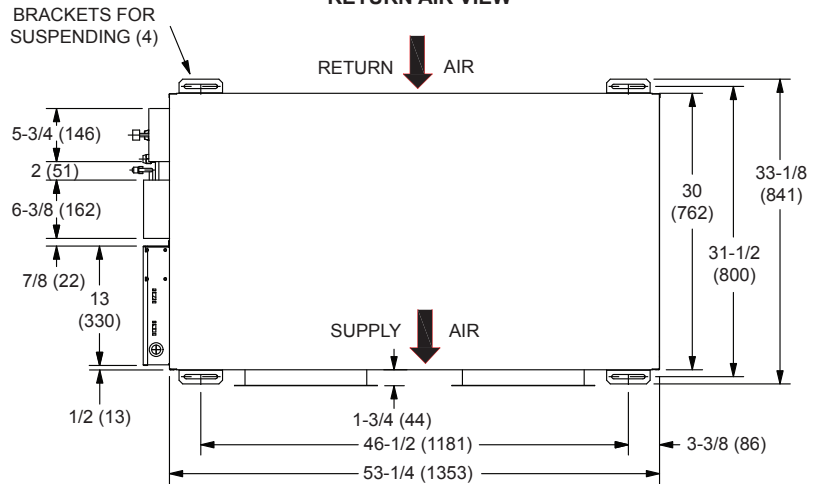
VHIA072S4, VHIA096S4



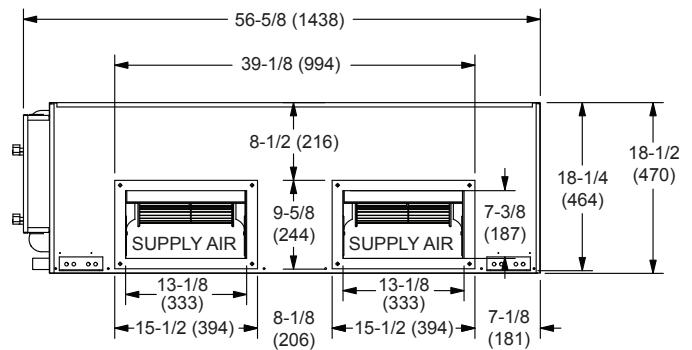
**RETURN AIR VIEW**



**SIDE VIEW**

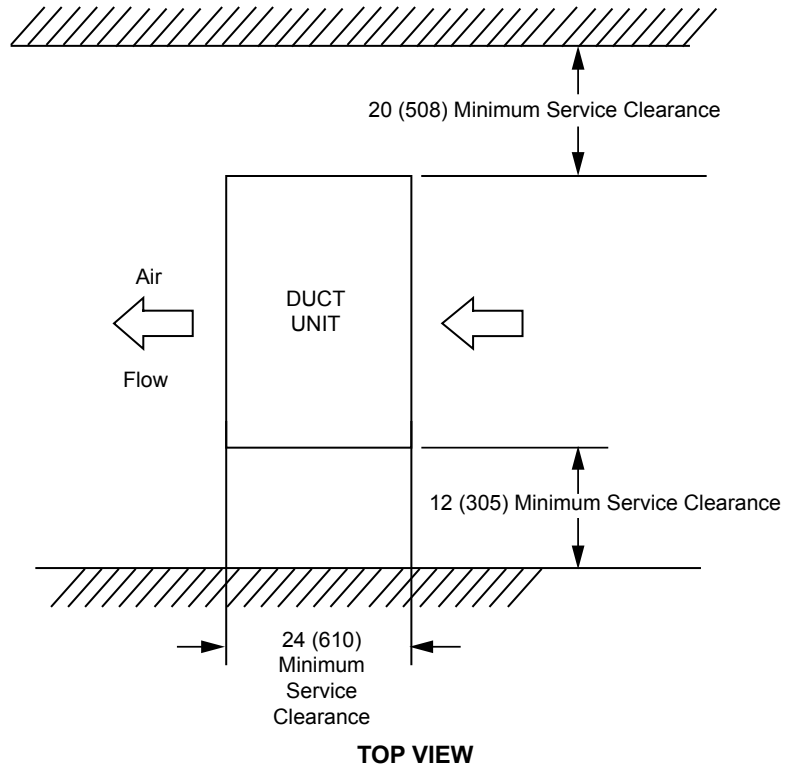


**TOP VIEW**



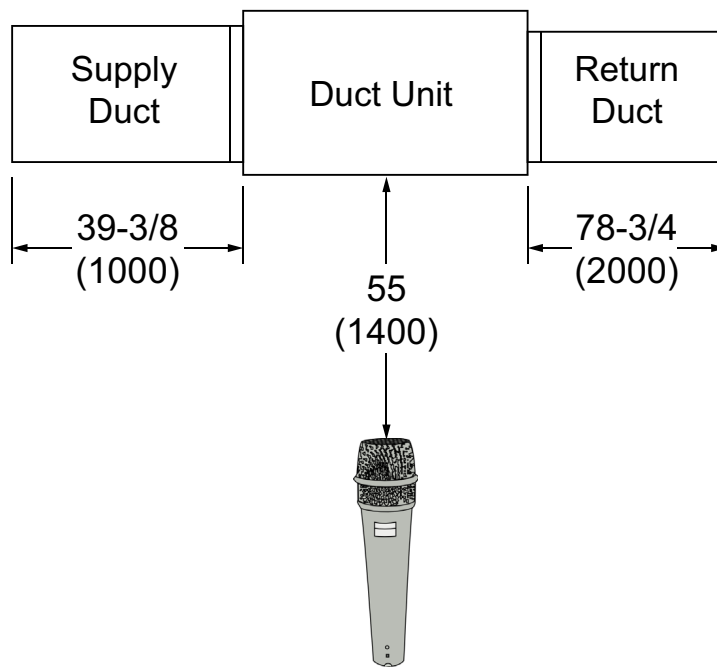
**SUPPLY AIR VIEW**

# INSTALLATION CLEARANCES - INCHES (MM)



# SOUND DATA

## SOUND LEVELS



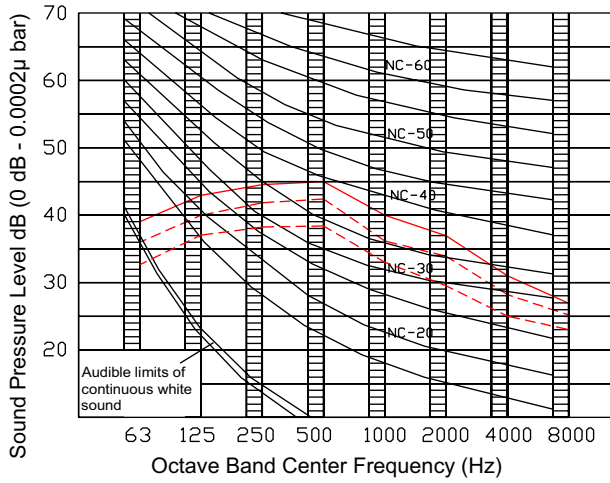
Model No.	Sound Rating Number (dBA)		
	Low	Medium	High
VHIA024S4	44.5	46	48
VHIA030S4	47	49	52
VHIA036S4	47	49	52
VHIA048S4	48	50	53
VHIA054S4	50	52	54
VHIA072S4	52	55	59
VHIA096S4	52	55	59



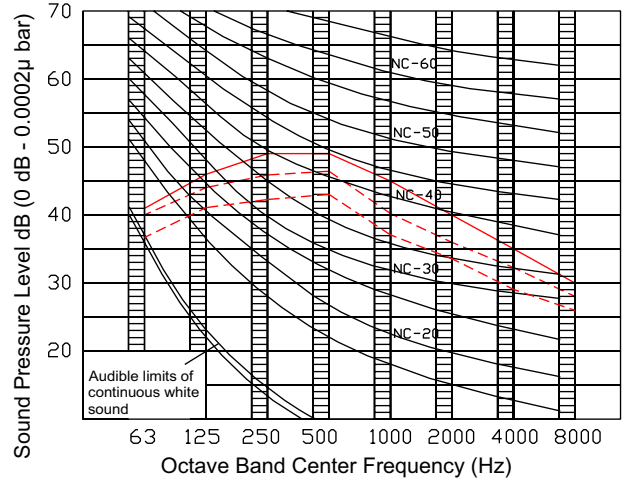
# SOUND DATA

## OCTAVE BAND LEVELS

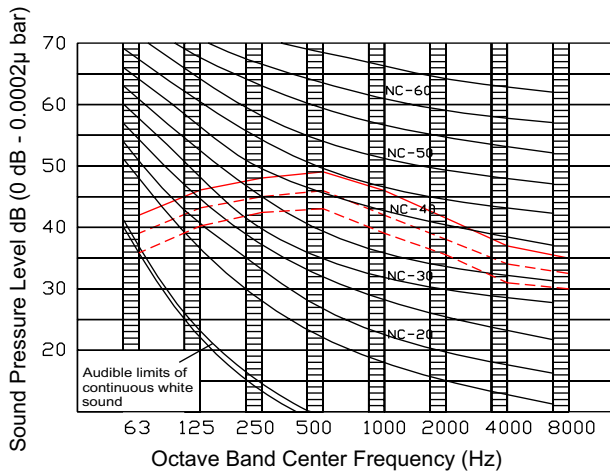
**VHIA024S4**



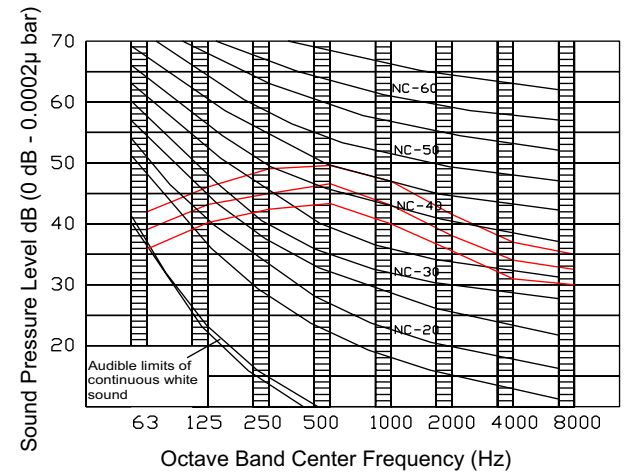
**VHIA030S4, VHIA036S4**



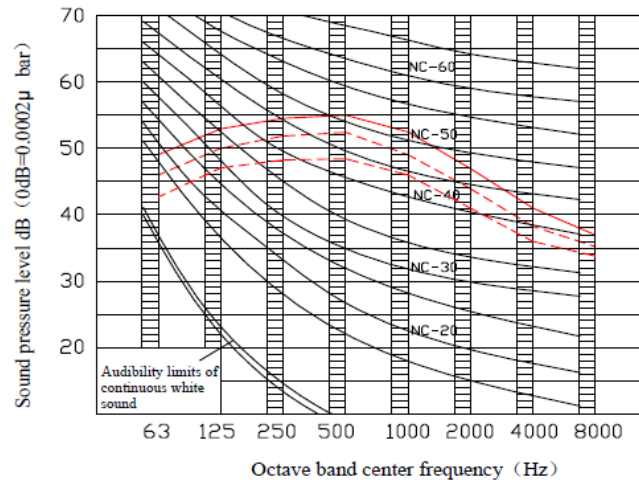
**VHIA048S4**



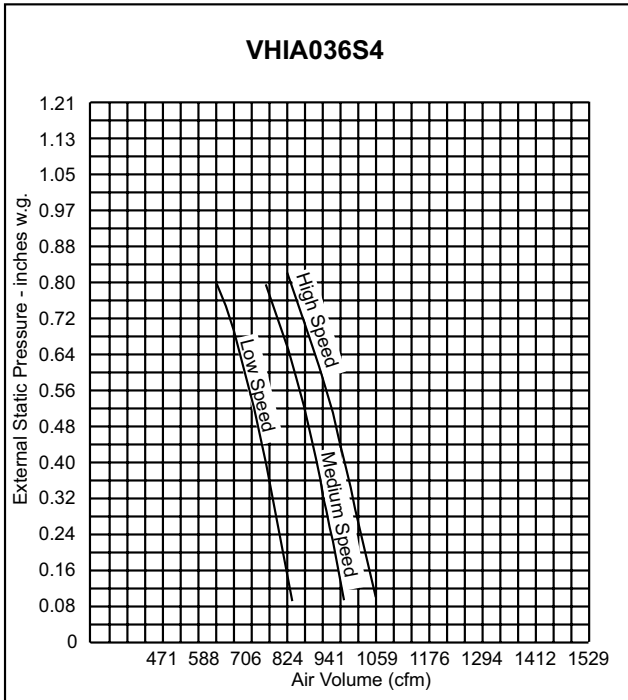
**VHIA054S4**



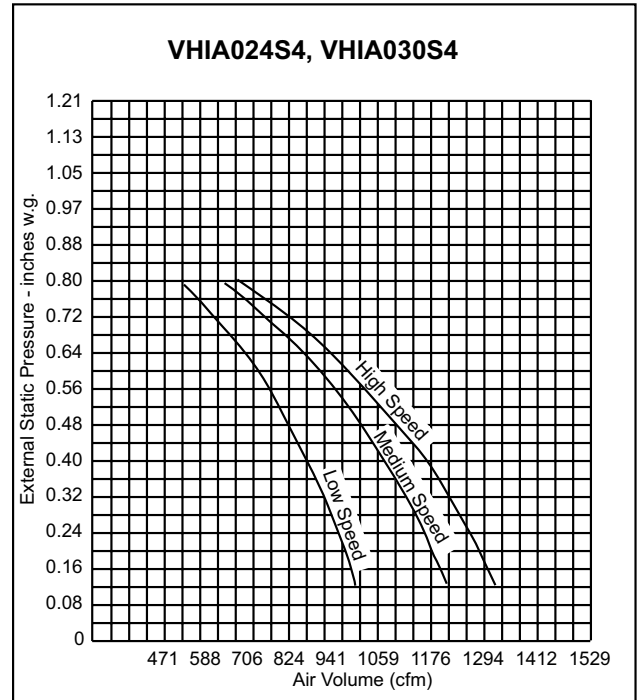
**VHIA0720S4, VHIA096S4**



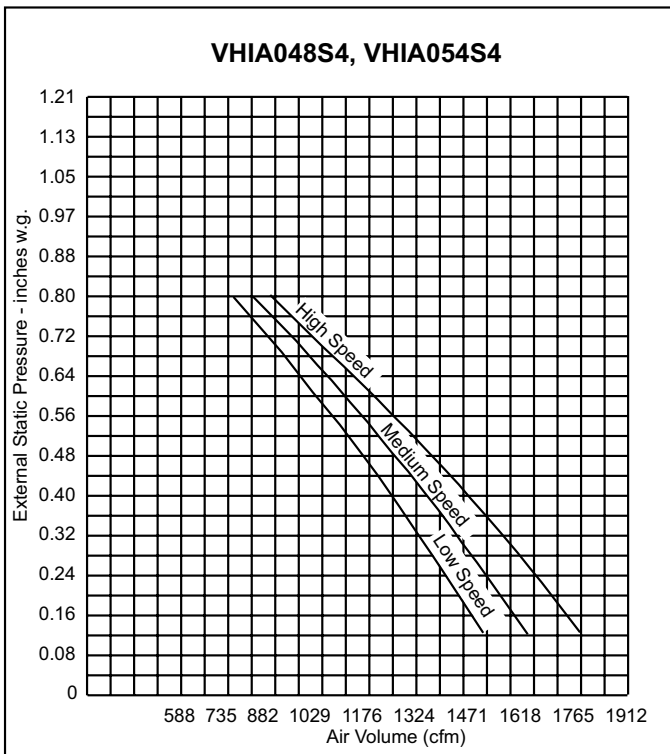
# BLOWER DATA



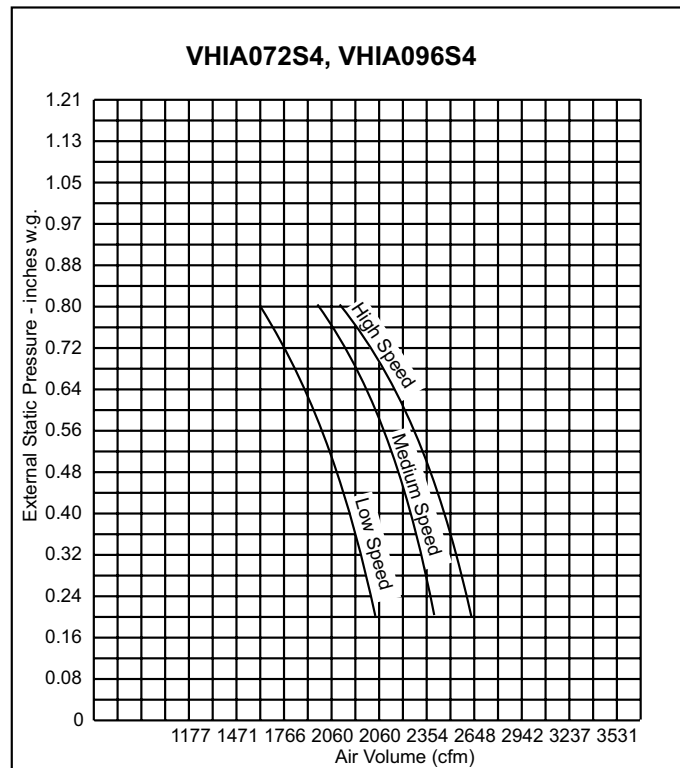
NOTE - Minimum cfm - 588.



NOTE - Minimum cfm - 482.



NOTE - Minimum cfm - 747.



NOTE - Minimum cfm - 747.

# COOLING CAPACITY

Size	Outdoor Temperature °F (Dry Bulb)	Indoor Temperature - °F (Dry Bulb / Wet Bulb)											
		67 / 57		71 / 60		75 / 63		80 / 67		85 / 71		90 / 75	
		Total	Sensible	Total	Sensible	Total	Sensible	Total	Sensible	Total	Sensible	Total	Sensible
		MBH	MBH	MBH	MBH	MBH	MBH	MBH	MBH	MBH	MBH	MBH	MBH
024	50	14.08	11.20	17.06	13.56	20.03	15.93	24.00	19.08	27.97	22.23	28.61	22.74
	55	14.08	11.20	17.06	13.56	20.03	15.93	24.00	19.08	27.91	22.19	28.15	22.38
	60	14.08	11.20	17.06	13.56	20.03	15.93	24.00	19.08	27.45	21.83	27.68	22.01
	65	14.08	11.20	17.06	13.56	20.03	15.93	24.00	19.08	26.99	21.46	27.22	21.64
	70	14.08	11.20	17.06	13.56	20.03	15.93	24.00	19.08	26.53	21.09	26.76	21.28
	75	14.08	11.20	17.06	13.56	20.03	15.93	24.00	19.08	26.07	20.73	26.30	20.91
	80	14.08	11.20	17.06	13.56	20.03	15.93	24.00	19.08	25.61	20.36	25.84	20.55
	85	14.08	11.20	17.06	13.56	20.03	15.93	24.00	19.08	25.15	20.00	25.38	20.18
	90	14.08	11.20	17.06	13.56	20.03	15.93	24.00	19.08	24.69	19.63	24.92	19.81
	95	14.08	11.20	17.06	13.56	20.03	15.93	<b>24.00</b>	<b>19.08</b>	24.23	19.26	24.46	19.45
	100	14.08	11.20	17.06	13.56	20.03	15.93	23.54	18.71	23.77	18.90	23.99	19.07
	105	14.08	11.20	17.06	13.56	20.03	15.93	23.08	18.35	23.23	18.47	23.27	18.50
110	14.08	11.20	17.06	13.56	20.03	15.93	21.70	17.25	22.23	17.67	22.55	17.92	
115	14.08	11.20	16.32	12.98	16.72	13.29	17.25	13.72	17.79	14.14	18.32	14.57	
030	50	17.60	13.99	21.32	16.95	25.04	19.91	30.00	23.85	34.96	27.79	35.76	28.43
	55	17.60	13.99	21.32	16.95	25.04	19.91	30.00	23.85	34.89	27.74	35.18	27.97
	60	17.60	13.99	21.32	16.95	25.04	19.91	30.00	23.85	34.32	27.28	34.61	27.51
	65	17.60	13.99	21.32	16.95	25.04	19.91	30.00	23.85	33.74	26.82	34.03	27.05
	70	17.60	13.99	21.32	16.95	25.04	19.91	30.00	23.85	33.17	26.37	33.45	26.60
	75	17.60	13.99	21.32	16.95	25.04	19.91	30.00	23.85	32.59	25.91	32.88	26.14
	80	17.60	13.99	21.32	16.95	25.04	19.91	30.00	23.85	32.02	25.45	32.30	25.68
	85	17.60	13.99	21.32	16.95	25.04	19.91	30.00	23.85	31.44	24.99	31.73	25.22
	90	17.60	13.99	21.32	16.95	25.04	19.91	30.00	23.85	30.86	24.54	31.15	24.77
	95	17.60	13.99	21.32	16.95	25.04	19.91	<b>30.00</b>	<b>23.85</b>	30.29	24.08	30.58	24.31
	100	17.60	13.99	21.32	16.95	25.04	19.91	29.42	23.39	29.71	23.62	29.98	23.84
	105	17.60	13.99	21.32	16.95	25.04	19.91	28.85	22.93	29.04	23.09	29.08	23.12
110	17.60	13.99	21.32	16.95	25.04	19.91	27.12	21.56	27.79	22.09	28.18	22.41	
115	17.60	13.99	20.40	16.22	20.90	16.62	21.57	17.15	22.23	17.68	22.90	18.21	
036	50	22.30	17.95	27.01	21.74	31.72	25.53	38.00	30.59	44.28	35.65	45.29	36.46
	55	22.30	17.95	27.01	21.74	31.72	25.53	38.00	30.59	44.20	35.58	44.56	35.87
	60	22.30	17.95	27.01	21.74	31.72	25.53	38.00	30.59	43.47	34.99	43.83	35.29
	65	22.30	17.95	27.01	21.74	31.72	25.53	38.00	30.59	42.74	34.41	43.11	34.70
	70	22.30	17.95	27.01	21.74	31.72	25.53	38.00	30.59	42.01	33.82	42.38	34.11
	75	22.30	17.95	27.01	21.74	31.72	25.53	38.00	30.59	41.28	33.23	41.65	33.53
	80	22.30	17.95	27.01	21.74	31.72	25.53	38.00	30.59	40.55	32.64	40.92	32.94
	85	22.30	17.95	27.01	21.74	31.72	25.53	38.00	30.59	39.82	32.06	40.19	32.35
	90	22.30	17.95	27.01	21.74	31.72	25.53	38.00	30.59	39.09	31.47	39.46	31.77
	95	22.30	17.95	27.01	21.74	31.72	25.53	<b>38.00</b>	<b>30.59</b>	38.37	30.88	38.73	31.18
	100	22.30	17.95	27.01	21.74	31.72	25.53	37.27	30.00	37.64	30.30	37.98	30.57
	105	22.30	17.95	27.01	21.74	31.72	25.53	36.54	29.42	36.79	29.61	36.84	29.65
110	22.30	17.95	27.01	21.74	31.72	25.53	34.36	27.66	35.20	28.34	35.70	28.74	
115	22.30	17.95	25.84	20.80	26.47	21.31	27.32	21.99	28.16	22.67	29.01	23.35	
048	50	28.17	22.25	34.12	26.95	40.07	31.65	48.00	37.92	55.93	44.19	57.21	45.20
	55	28.17	22.25	34.12	26.95	40.07	31.65	48.00	37.92	55.83	44.10	56.29	44.47
	60	28.17	22.25	34.12	26.95	40.07	31.65	48.00	37.92	54.91	43.38	55.37	43.74
	65	28.17	22.25	34.12	26.95	40.07	31.65	48.00	37.92	53.99	42.65	54.45	43.01
	70	28.17	22.25	34.12	26.95	40.07	31.65	48.00	37.92	53.07	41.92	53.53	42.29
	75	28.17	22.25	34.12	26.95	40.07	31.65	48.00	37.92	52.15	41.19	52.61	41.56
	80	28.17	22.25	34.12	26.95	40.07	31.65	48.00	37.92	51.22	40.47	51.69	40.83
	85	28.17	22.25	34.12	26.95	40.07	31.65	48.00	37.92	50.30	39.74	50.77	40.10
	90	28.17	22.25	34.12	26.95	40.07	31.65	48.00	37.92	49.38	39.01	49.84	39.38
	95	28.17	22.25	34.12	26.95	40.07	31.65	<b>48.00</b>	<b>37.92</b>	48.46	38.28	48.92	38.65
	100	28.17	22.25	34.12	26.95	40.07	31.65	47.08	37.19	47.54	37.56	47.97	37.90
	105	28.17	22.25	34.12	26.95	40.07	31.65	46.16	36.47	46.47	36.71	46.53	36.76
110	28.17	22.25	34.12	26.95	40.07	31.65	43.40	34.28	44.46	35.13	45.09	35.62	
115	28.17	22.25	32.64	25.79	33.44	26.42	34.51	27.26	35.58	28.10	36.64	28.95	

NOTE - MBH = 1000 BTUs per hour.

## COOLING CAPACITY

Size	Outdoor Temperature °F (Dry Bulb)	Indoor Temperature - °F (Dry Bulb / Wet Bulb)											
		67 / 57		71 / 60		75 / 63		80 / 67		85 / 71		90 / 75	
		Total	Sensible	Total	Sensible	Total	Sensible	Total	Sensible	Total	Sensible	Total	Sensible
		MBH	MBH	MBH	MBH	MBH	MBH	MBH	MBH	MBH	MBH	MBH	MBH
054	50	31.69	25.35	38.38	30.70	45.07	36.06	54.00	43.20	62.93	50.34	64.36	51.49
	55	31.69	25.35	38.38	30.70	45.07	36.06	54.00	43.20	62.81	50.25	63.33	50.66
	60	31.69	25.35	38.38	30.70	45.07	36.06	54.00	43.20	61.77	49.42	62.29	49.83
	65	31.69	25.35	38.38	30.70	45.07	36.06	54.00	43.20	60.74	48.59	61.25	49.00
	70	31.69	25.35	38.38	30.70	45.07	36.06	54.00	43.20	59.70	47.76	60.22	48.18
	75	31.69	25.35	38.38	30.70	45.07	36.06	54.00	43.20	58.66	46.93	59.18	47.35
	80	31.69	25.35	38.38	30.70	45.07	36.06	54.00	43.20	57.63	46.10	58.15	46.52
	85	31.69	25.35	38.38	30.70	45.07	36.06	54.00	43.20	56.59	45.27	57.11	45.69
	90	31.69	25.35	38.38	30.70	45.07	36.06	54.00	43.20	55.56	44.44	56.07	44.86
	95	31.69	25.35	38.38	30.70	45.07	36.06	54.00	43.20	54.52	43.62	55.04	44.03
	100	31.69	25.35	38.38	30.70	45.07	36.06	52.96	42.37	53.48	42.79	53.97	43.17
072	105	31.69	25.35	38.38	30.70	45.07	36.06	51.93	41.54	52.28	41.82	52.35	41.88
	110	31.69	25.35	38.38	30.70	45.07	36.06	48.82	39.06	50.02	40.02	50.73	40.58
	115	31.69	25.35	36.72	29.38	37.62	30.10	38.82	31.06	40.02	32.02	41.22	32.98
	50	42.25	32.95	51.17	39.92	60.10	46.88	72.00	56.16	83.90	65.44	85.82	66.94
	55	42.25	32.95	51.17	39.92	60.10	46.88	72.00	56.16	83.74	65.32	84.44	65.86
	60	42.25	32.95	51.17	39.92	60.10	46.88	72.00	56.16	82.36	64.24	83.05	64.78
	65	42.25	32.95	51.17	39.92	60.10	46.88	72.00	56.16	80.98	63.16	81.67	63.70
	70	42.25	32.95	51.17	39.92	60.10	46.88	72.00	56.16	79.60	62.09	80.29	62.63
	75	42.25	32.95	51.17	39.92	60.10	46.88	72.00	56.16	78.22	61.01	78.91	61.55
	80	42.25	32.95	51.17	39.92	60.10	46.88	72.00	56.16	76.84	59.93	77.53	60.47
	85	42.25	32.95	51.17	39.92	60.10	46.88	72.00	56.16	75.46	58.86	76.15	59.40
096	90	42.25	32.95	51.17	39.92	60.10	46.88	72.00	56.16	74.07	57.78	74.77	58.32
	95	42.25	32.95	51.17	39.92	60.10	46.88	72.00	56.16	72.69	56.70	73.39	57.24
	100	42.25	32.95	51.17	39.92	60.10	46.88	70.62	55.08	71.31	55.62	71.96	56.13
	105	42.25	32.95	51.17	39.92	60.10	46.88	69.24	54.01	69.70	54.37	69.80	54.44
	110	42.25	32.95	51.17	39.92	60.10	46.88	65.10	50.78	66.70	52.02	67.64	52.76
	115	42.25	32.95	48.96	38.19	50.16	39.13	51.76	40.38	53.36	41.62	54.96	42.87
	50	56.33	44.28	68.23	53.63	80.13	62.98	96.00	75.46	111.87	87.93	114.42	89.94
	55	56.33	44.28	68.23	53.63	80.13	62.98	96.00	75.46	111.66	87.76	112.58	88.49
	60	56.33	44.28	68.23	53.63	80.13	62.98	96.00	75.46	109.82	86.31	110.74	87.04
	65	56.33	44.28	68.23	53.63	80.13	62.98	96.00	75.46	107.97	84.87	108.90	85.59
	70	56.33	44.28	68.23	53.63	80.13	62.98	96.00	75.46	106.13	83.42	107.06	84.15
75	56.33	44.28	68.23	53.63	80.13	62.98	96.00	75.46	104.29	81.97	105.21	82.70	
80	56.33	44.28	68.23	53.63	80.13	62.98	96.00	75.46	102.45	80.52	103.37	81.25	
85	56.33	44.28	68.23	53.63	80.13	62.98	96.00	75.46	100.61	79.08	101.53	79.80	
90	56.33	44.28	68.23	53.63	80.13	62.98	96.00	75.46	98.77	77.63	99.69	78.36	
95	56.33	44.28	68.23	53.63	80.13	62.98	96.00	75.46	96.92	76.18	97.85	76.91	
100	56.33	44.28	68.23	53.63	80.13	62.98	94.16	74.01	95.08	74.73	95.94	75.41	
105	56.33	44.28	68.23	53.63	80.13	62.98	92.32	72.56	92.94	73.05	93.06	73.15	
110	56.33	44.28	68.23	53.63	80.13	62.98	86.79	68.22	88.93	69.90	90.19	70.89	
115	56.33	44.28	65.28	51.31	66.88	52.57	69.02	54.25	71.15	55.92	73.28	57.60	

NOTE - MBH = 1000 BTUs per hour.

# HEATING CAPACITY

Size	Outdoor Temperature (°F)		Indoor Temperature - °F (Dry Bulb)					
			61	64	67	70	73	75
	Dry Bulb	Wet Bulb	Total Capacity					
		MBH	MBH	MBH	MBH	MBH	MBH	
024	-3	-4	15.54	14.99	14.44	13.89	13.34	12.98
	2	1	16.87	16.32	15.77	15.22	14.67	14.30
	7	6	18.21	17.66	17.11	16.56	16.01	15.65
	12	10	19.30	18.75	18.20	17.65	17.10	16.73
	17	15	20.67	20.12	19.57	19.02	18.47	18.11
	22	20	22.06	21.51	20.97	20.42	19.87	19.50
	27	24	23.19	22.64	22.09	21.54	20.99	20.63
	32	29	24.61	24.07	23.52	22.97	22.42	22.05
	37	34	26.06	25.51	24.96	24.41	23.86	23.49
	42	38	27.22	26.67	26.12	25.57	25.03	23.86
	<b>47</b>	<b>43</b>	28.70	28.15	27.60	<b>27.00</b>	25.12	23.86
	52	47	29.89	29.34	28.79	27.00	25.12	23.86
57	52	31.39	30.77	28.88	27.00	25.12	23.86	
030	-3	-4	17.72	17.03	16.34	15.65	14.95	14.49
	2	1	19.68	18.98	18.29	17.60	16.91	16.45
	7	6	21.63	20.94	20.25	19.55	18.86	18.40
	12	10	23.19	22.50	21.81	21.12	20.42	19.96
	17	15	25.14	24.45	23.76	23.07	22.38	21.92
	22	20	27.10	26.41	25.71	25.02	24.33	23.87
	27	24	28.66	27.97	27.28	26.59	25.89	25.43
	32	29	30.61	29.92	29.23	28.54	27.85	27.39
	37	34	32.57	31.88	31.18	30.49	29.80	29.34
	42	38	34.13	33.44	32.75	32.05	31.36	30.05
	<b>47</b>	<b>43</b>	36.08	35.39	34.70	<b>34.00</b>	31.63	30.05
	52	47	37.65	36.95	36.26	34.00	31.63	30.05
57	52	39.60	38.74	36.37	34.00	31.63	30.05	
036	-3	-4	21.43	20.57	19.72	18.86	18.01	17.44
	2	1	23.89	23.03	22.18	21.32	20.47	19.90
	7	6	26.35	25.50	24.64	23.79	22.93	22.36
	12	10	28.32	27.47	26.61	25.76	24.90	24.33
	17	15	30.78	29.93	29.07	28.22	27.36	26.80
	22	20	33.25	32.39	31.54	30.68	29.83	29.26
	27	24	35.22	34.36	33.51	32.65	31.80	31.23
	32	29	37.68	36.82	35.97	35.11	34.26	33.69
	37	34	40.14	39.29	38.43	37.58	36.72	36.15
	42	38	42.11	41.26	40.40	39.55	38.69	37.12
	<b>47</b>	<b>43</b>	44.57	43.72	42.86	<b>42.00</b>	39.07	37.12
	52	47	46.54	45.69	44.83	42.00	39.07	37.12
57	52	49.01	47.86	44.93	42.00	39.07	37.12	
048	-3	-4	30.34	29.24	28.15	27.05	25.95	25.21
	2	1	33.21	32.11	31.01	29.92	28.82	28.08
	7	6	36.08	34.98	33.88	32.78	31.68	30.95
	12	10	38.38	37.28	36.18	35.08	33.98	33.25
	17	15	41.24	40.15	39.05	37.95	36.85	36.12
	22	20	44.11	43.01	41.91	40.82	39.72	38.98
	27	24	46.41	45.31	44.21	43.11	42.01	41.28
	32	29	49.28	48.18	47.08	45.98	44.88	44.15
	37	34	52.14	51.05	49.95	48.85	47.75	47.02
	42	38	54.44	53.34	52.24	51.14	50.04	47.72
	<b>47</b>	<b>43</b>	57.31	56.21	55.11	<b>54.00</b>	50.23	47.72
	52	47	59.60	58.50	57.41	54.00	50.23	47.72
57	52	62.47	61.37	57.77	54.00	50.23	47.72	

NOTE - MBH = 1000 BTUs per hour.

## HEATING CAPACITY

Size	Outdoor Temperature (°F)		Indoor Temperature - °F (Dry Bulb)					
			61	64	67	70	73	75
	Dry Bulb	Wet Bulb	Total Capacity					
			MBH	MBH	MBH	MBH	MBH	MBH
054	-3	-4	29.91	28.77	27.64	26.50	25.36	24.60
	2	1	33.05	31.91	30.78	29.64	28.50	27.74
	7	6	36.19	35.05	33.92	32.78	31.64	30.88
	12	10	38.71	37.57	36.43	35.29	34.15	33.39
	17	15	41.85	40.71	39.57	38.43	37.29	36.53
	22	20	44.99	43.85	42.71	41.57	40.43	39.67
	27	24	47.50	46.36	45.22	44.08	42.94	42.18
	32	29	50.64	49.50	48.36	47.22	46.08	45.32
	37	34	53.78	52.64	51.50	50.36	49.22	48.46
	42	38	56.29	55.15	54.01	52.87	51.73	49.49
	47	43	59.43	58.29	57.15	<b>56.00</b>	52.09	49.49
	52	47	61.94	60.80	59.66	56.00	52.09	49.49
57	52	65.08	63.81	59.91	56.00	52.09	49.49	
072	-3	-4	42.29	40.66	39.03	37.41	35.78	34.69
	2	1	46.82	45.20	43.57	41.94	40.31	39.23
	7	6	51.36	49.73	48.10	46.47	44.84	43.76
	12	10	54.98	53.36	51.73	50.10	48.47	47.39
	17	15	59.52	57.89	56.26	54.63	53.00	51.92
	22	20	64.05	62.42	60.79	59.17	57.54	56.45
	27	24	67.68	66.05	64.42	62.79	61.16	60.08
	32	29	72.21	70.58	68.95	67.33	65.70	64.61
	37	34	76.74	75.11	73.49	71.86	70.23	69.15
	42	38	80.37	78.74	77.11	75.49	73.86	70.70
	47	43	84.90	83.27	81.65	<b>80.00</b>	74.42	70.70
	52	47	88.53	86.90	85.27	80.00	74.42	70.70
57	52	93.06	91.16	85.58	80.00	74.42	70.70	
096	-3	-4	52.21	50.07	47.93	45.80	43.66	42.24
	2	1	58.51	56.37	54.23	52.10	49.96	48.54
	7	6	64.81	62.67	60.54	58.40	56.26	54.84
	12	10	69.85	67.71	65.58	63.44	61.30	59.88
	17	15	76.15	74.01	71.88	69.74	67.60	66.18
	22	20	82.45	80.31	78.18	76.04	73.90	72.48
	27	24	87.49	85.36	83.22	81.08	78.94	77.52
	32	29	93.79	91.66	89.52	87.38	85.25	83.82
	37	34	100.09	97.96	95.82	93.68	91.55	90.12
	42	38	105.13	103.00	100.86	98.72	96.59	92.79
	47	43	111.44	109.30	107.16	<b>105.00</b>	97.67	92.79
	52	47	116.48	114.34	112.20	105.00	97.67	92.79
57	52	122.78	119.65	112.33	105.00	97.67	92.79	

NOTE - MBH = 1000 BTUs per hour.



## REVISIONS

Sections	Description of Change
Dimensions	Updated drawings for all VHIA units.



Visit us at [www.lennox.com](http://www.lennox.com)

For the latest technical information, [www.lennoxcommercial.com](http://www.lennoxcommercial.com)

Contact us at 1-800-4-LENNOX

NOTE - Due to Lennox' ongoing commitment to quality, Specifications, Ratings and Dimensions subject to change without notice and without incurring liability. Improper installation, adjustment, alteration, service or maintenance can cause property damage or personal injury. Installation and service must be performed by a qualified installer and servicing agency.

©2015 Lennox Industries, Inc.