



SUBMITTAL DATA - ACCESSORIES

V8GARD11L11

VRF HEAT PUMP & HEAT RECOVERY

Job: _____
 Location: _____
 Schedule No.: _____
 System Designation: _____

Engineer: _____
 Architect: _____
 Date: _____
 For: Reference Approval Review Construction

Hail Guard for VRF

FEATURES AND FUNCTIONS

- Simple, user friendly design
- Easy Installation
- Paint finish to match the Lennox Beige Outdoor

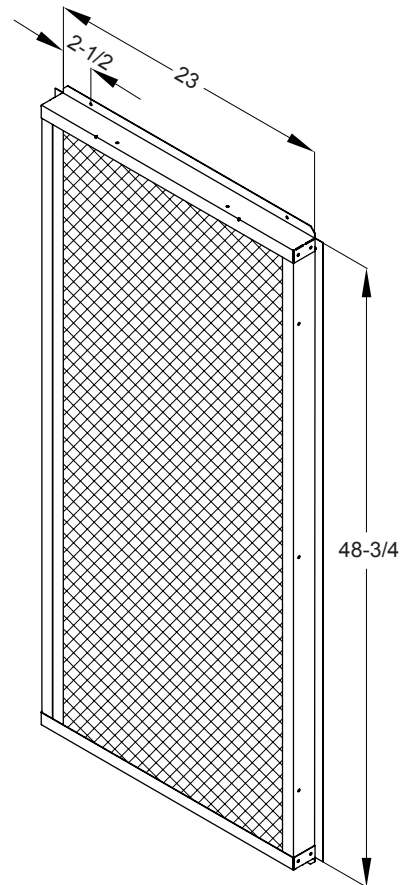
SPECIFICATIONS

GENERAL DATA			
Number of Guards per Carton			4
DIMENSIONS			
Unit Dimensions (in)	Height		48-3/4
	Width		23

HAIL GUARD SELECTION MATRIX

OUTDOOR UNIT	REQUIRED HAIL GUARD QUANTITY
VRA072H4 / VPA072H4	1
VRA096H4 / VPA096H4	1
VRA120H4 / VPA120H4	1
VRA144H4 / VPA144H4	1
VRA145H4 / VPA145H4	2
VRA168H4 / VPA168H4	2
VRA192H4 / VPA192H4	2
VRA216H4 / VPA216H4	2
VRA240H4 / VPA240H4	2
VRA264H4 / VPA264H4	2
VRA288H4 / VPA288H4	2
VRA265H4 / VPA265H4	3
VRA289H4 / VPA289H4	3
VRA312H4 / VPA312H4	3
VRA336H4 / VPA336H4	3
VRA360H4 / VPA360H4	3
VRA384H4 / VPA384H4	3
VRA408H4 / VPA408H4	3
VRA432H4 / VPA432H4	3

DIMENSIONAL DRAWINGS



NOTE – Due to Lennox' ongoing commitment to quality, Specifications, Ratings and Dimensions subject to change without notice and without incurring liability. Improper installation, adjustment, alteration, service or maintenance can cause property damage or personal injury. Installation and service must be performed by a qualified installer and servicing agency.