



# SUBMITTAL DATA - INDOOR UNIT

## VCFA012S4-1P

### VRF HEAT PUMP & HEAT RECOVERY

**Job:** \_\_\_\_\_

**Location:** \_\_\_\_\_

**Schedule No.:** \_\_\_\_\_

**System Designation:** \_\_\_\_\_

**Engineer:** \_\_\_\_\_

**Architect:** \_\_\_\_\_

**Date:** \_\_\_\_\_

**For:** Reference Approval Review Construction

### FEATURES

- Pre Heat Function
- Auto Addressing
- Auto Restart
- Auto Swing Louvers
- Electronic Expansion Valve
- Flare Connections
- LED Display
- Washable Filter
- Refrigerant R-410A
- Eight capacity sizes from 12,000 to 54,000 Btu/h

### Product Warranty

All covered components – One year limited warranty.

### SPECIFICATIONS

#### PERFORMANCE

Cooling Capacity <sup>1</sup> (Btu/h)		12,000
Heating Capacity <sup>1</sup> (Btu/h)		13,600
Airflow (CFM)	High	353
	Medium	283
	Low	235
External Static Pressure (in. WC)		-
Sound Pressure (dBA)	High	40
	Medium	38
	Low	36

#### ELECTRICAL DATA

Power Supply (V/Hz/Φ)	208-230/60/1
Minimum circuit ampacity (MCA)	0.3
Max. Overcurrent Protection (MOCP)	15
Cooling Power Input <sup>2</sup> (W)	45
Cooling Rated current (A)	0.25
Heating Power Input <sup>2</sup> (W)	45
Heating Rated current (A)	0.25
Indoor Fan Motor Input (W)	38.4

#### DIMENSIONS

Unit Dimensions (in)	Height	26
	Width	39
	Depth	8-1/8
Liquid Pipe Connection (in)		1/4
Gas Pipe Connection (in)		1/2
Condensate drain connection (in)		(1) 5/8
Unit Shipping Weight (lb)		71
Unit Net Weight (lb)		59



### OPTIONAL ACCESSORIES

<input type="checkbox"/> Non-Programmable Controller	V0STAT54P-1
<input type="checkbox"/> Programmable Wired Controller	V0STAT51P-1
<input type="checkbox"/> Infrared Wireless Controller	V0STAT52P-1
<input type="checkbox"/> Infrared Sensor	V0SNSR78P-1
<input type="checkbox"/> Auxiliary Heat Interface	V0CTRL90P-1
<input type="checkbox"/> Hotel Keycard Interface	V0CTRL88O-1

### NOTES

- Cooling and Heating capacity data is rated at the following conditions:  
Cooling: 80°FDB / 67°FWB Indoor, 95°FDB Outdoor  
Heating: 70°FDB Indoor, 47°FDB / 43°FWB Outdoor
- Power Input values are rated at high fan speed.

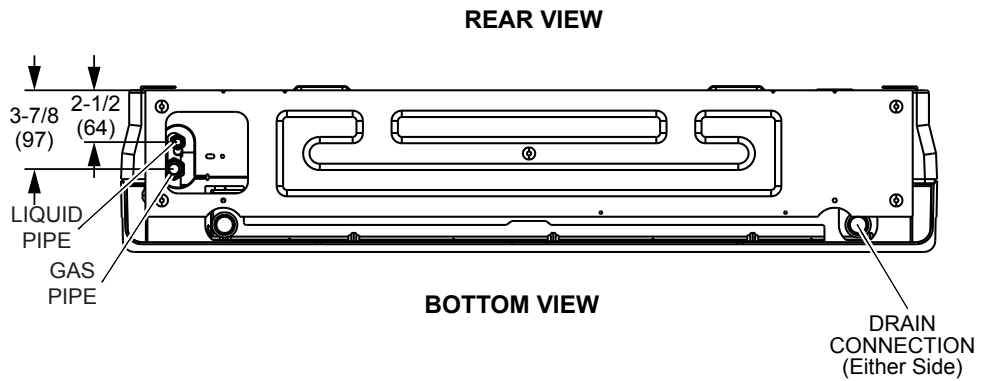
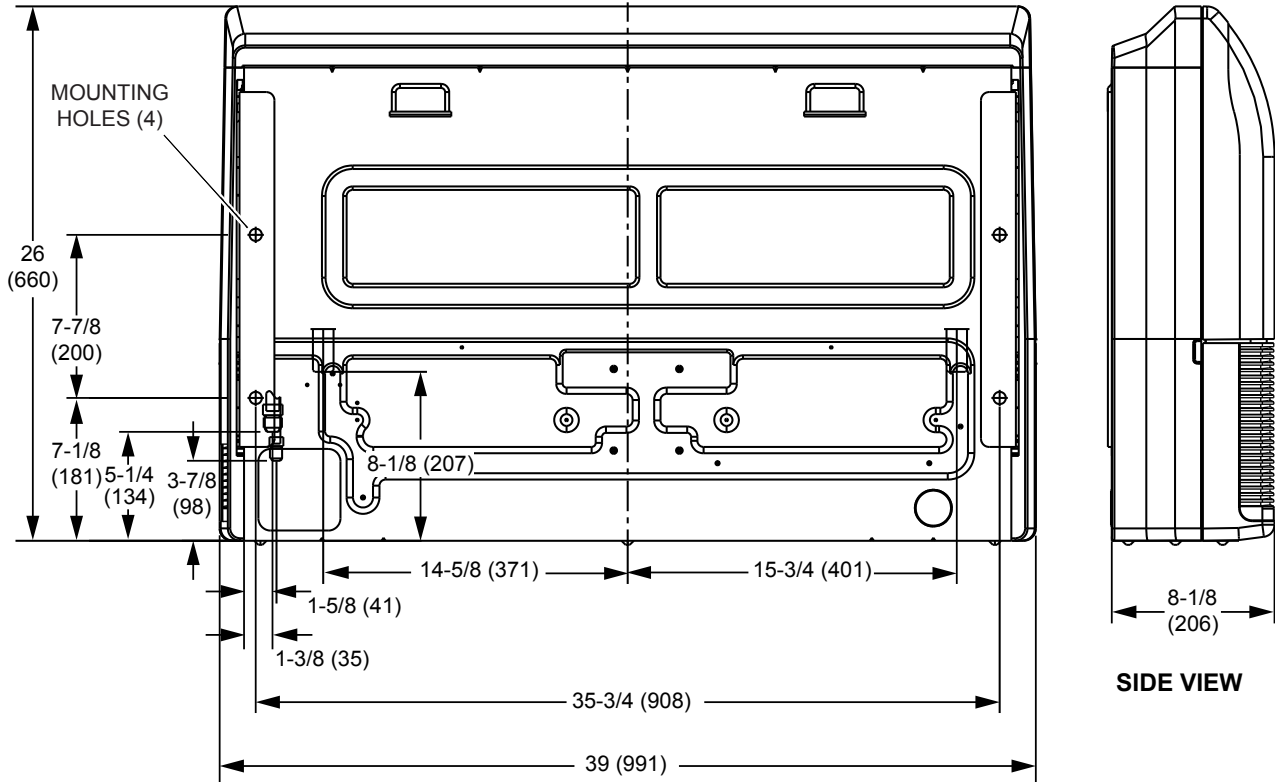


NOTE – Due to Lennox' ongoing commitment to quality, Specifications, Ratings and Dimensions subject to change without notice and without incurring liability. Improper installation, adjustment, alteration, service or maintenance can cause property damage or personal injury. Installation and service must be performed by a qualified installer and servicing agency.



SUBMITTAL DATA - INDOOR UNIT  
**VCFA012S4-1P**  
 VRF HEAT PUMP & HEAT RECOVERY

**DIMENSIONAL DRAWINGS - INCHES (MM)**



NOTE - Due to Lennox' ongoing commitment to quality, Specifications, Ratings and Dimensions subject to change without notice and without incurring liability. Improper installation, adjustment, alteration, service or maintenance can cause property damage or personal injury. Installation and service must be performed by a qualified installer and servicing agency.