



## SERVICE AND APPLICATION NOTES

### Auxiliary Heat Interface Used with VWMA VRF Wall-Mounted Units

**Issue:** V0CTRL90 Auxiliary Heat Interface cannot be installed with VWMA VRF wall-mounted indoor units due to differences in electrical requirements.

**Solution:** Lennox recommends the use of Automation Direct Electromechanical Relay (item # 782-2C-24A) and Automation Direct Mounting Socket (item # 782-2C-SKT) in place of V0CTRL90 for VWMA VRF wall-mounted units only.

#### ▲WARNING

Improper installation, adjustment, alteration, service or maintenance can cause property damage, personal injury or loss of life. Installation and service must be performed by a licensed professional HVAC installer (or equivalent) or service agency. Failure to follow safety warnings and these instructions exactly could result in property damage, dangerous operation, serious injury, or death. Be sure that power supply has been turned off before beginning installation. Do not operate equipment with wet hands.

#### ▲CAUTION

As with any mechanical equipment, personal injury can result from contact with sharp sheet metal edges. Be careful when you handle this equipment.

#### THIS PUBLICATION MUST BE LEFT WITH THE OWNER FOR FUTURE REFERENCE

These instructions are intended as a general guide and do not supersede local codes in any way. Consult authorities having jurisdiction before installation.

#### General

These instructions are intended as a general guide and do not supersede local codes in any way. Consult authorities having jurisdiction before installation. Read all of the information in this publication before operating this equipment.

**NOTE-** Removal of indoor unit main board is required for connection.

#### Materials List

The following field-supplied items are required:

- 1 - 24VAC Power Supply
- 1 - Electromechanical Relay (Recommended: Automation Direct Item # 782-2C-24A)
- 1 - Mounting Socket (Recommended: Automation Direct Item # 782-2C-SKT)

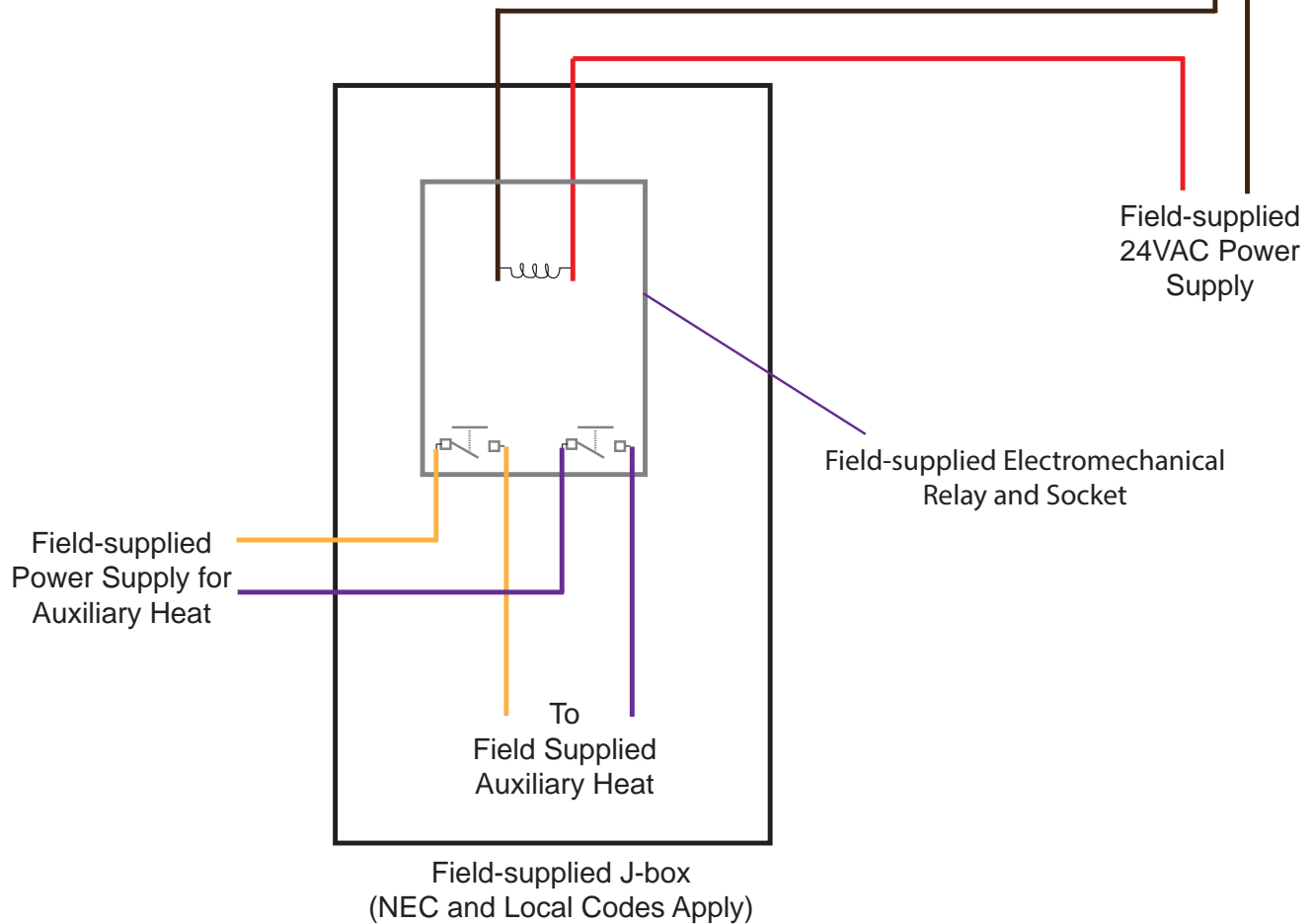
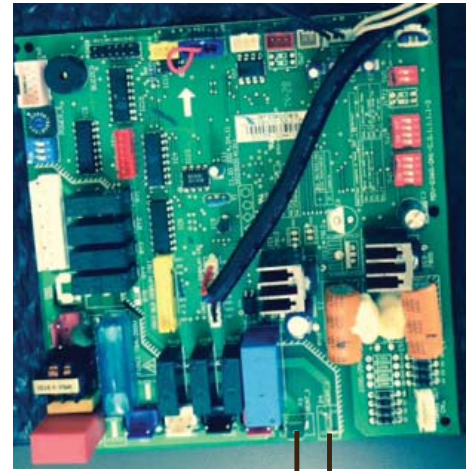
#### Installation

Wall-mounted indoor unit models require a field-supplied auxiliary heat control to be installed outside of the unit cabinet.

All wiring must conform to NEC and local codes for mounting guidelines.

1. Turn off power to the indoor unit.
2. Raise or remove indoor unit cover.
3. Remove the phillips-head screws securing the indoor unit control box cover.
4. Remove indoor unit main board.
5. Mount the electromechanical relay and mounting socket inside of an electrical J-box in a location near the indoor unit.
6. Connect a 24VAC field-supplied power supply according to wiring diagram on the next page.
7. Reinstall the indoor unit main board in the indoor unit control box.
8. Use phillips-head screws to secure indoor unit electrical control box cover.
9. Replace indoor unit cover.
10. Connect field-supplied auxiliary heat source to relay.
11. Restore power to the unit.

Wallmounted Indoor Unit  
Main Board



**NOTES -**

*Recommended relay maximum amp for the contacts is 15 Amps.*

*Field-provided auxiliary heat device should provide all necessary safety requirements according to NEC and local codes.*