



PRODUCT LITERATURE

Lennox Industries Inc.
Dallas, Texas

PARTS AND OPTIONAL ACCESSORIES

COWB3 OIL FIRED BOILER

RETAIN THESE INSTRUCTIONS FOR FUTURE REFERENCE

***These instructions must be affixed on
or adjacent to the boiler.***

Ordering Instructions

Order Parts through your nearest supplier.
When ordering parts, obtain Model Number
and Serial Number from data plate on your
boiler.

Include following information when ordering.

Part Number _____

Part Description _____

Boiler Model Number _____

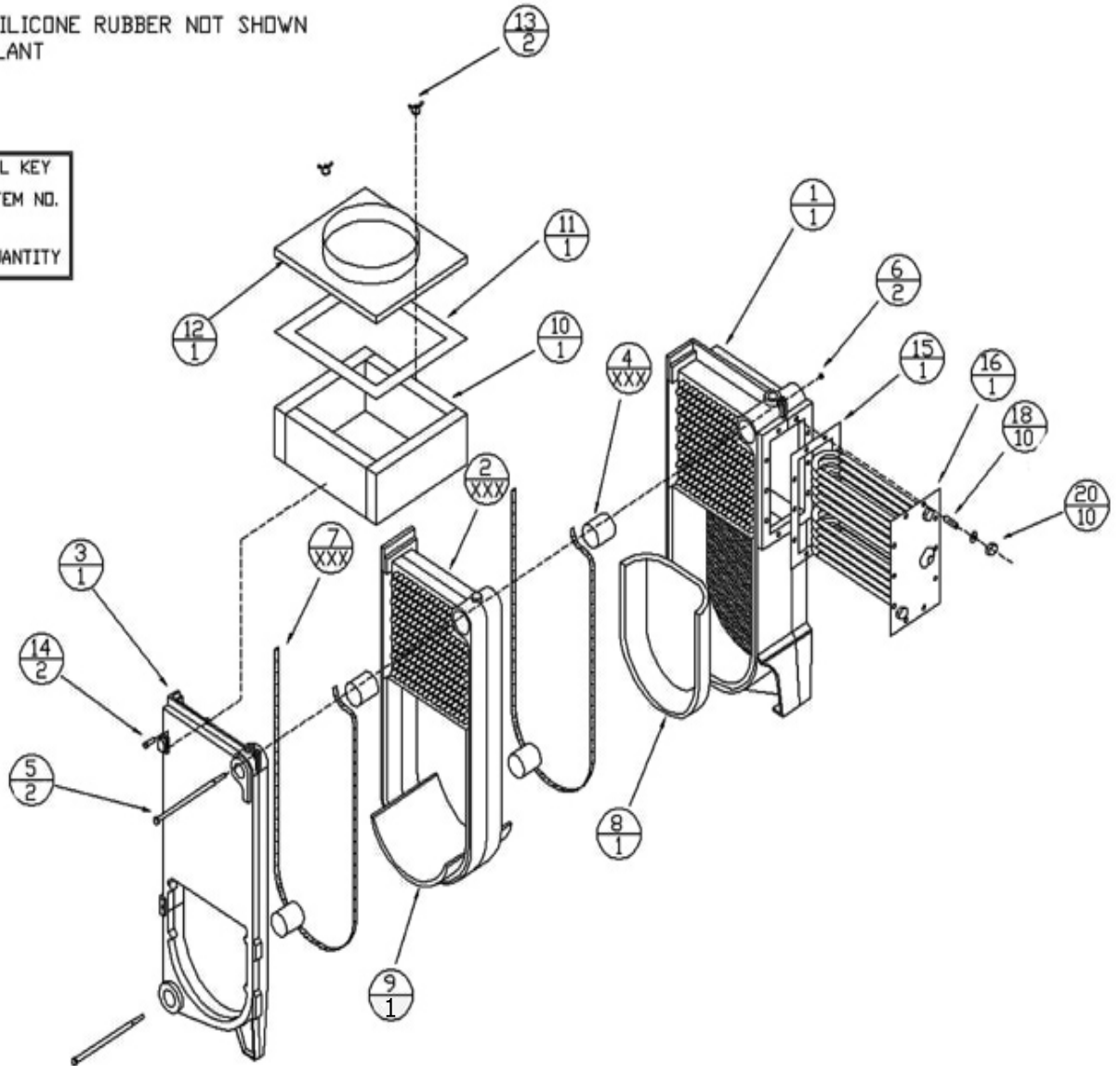
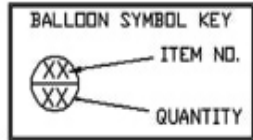
Boiler Serial Number _____

REPAIR PARTS

17/1 COVER PLATE FOR BOILERS WITHOUT TANKLESS COIL NOT SHOWN

21/2 1 1/4" SQUARE HEAD PLUGS NOT SHOWN

22/XXX 400°F BLACK SILICONE RUBBER NOT SHOWN
ADHESIVE SEALANT



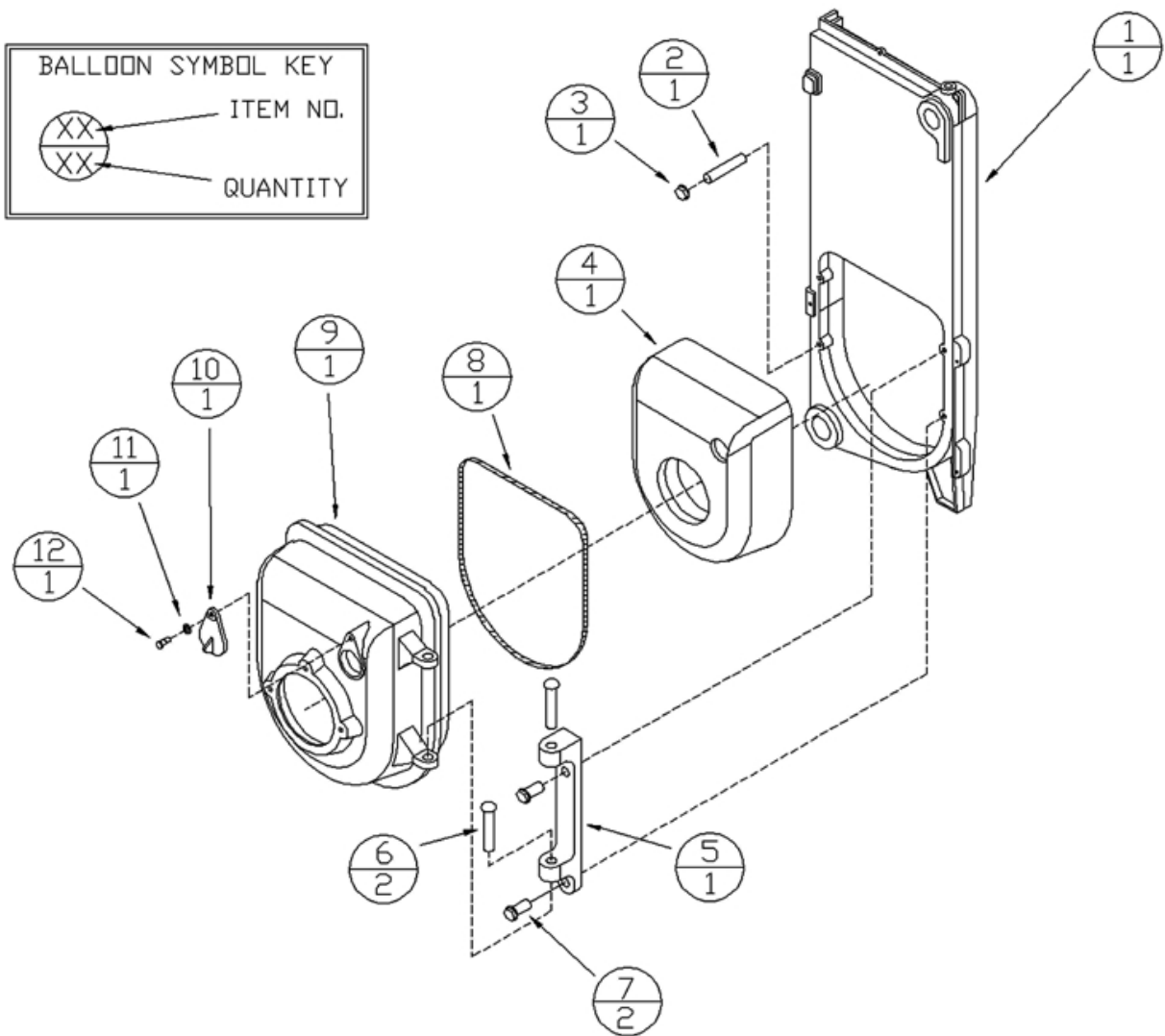
REPAIR PARTS

ITEM	DESCRIPTION	COWB3-3	COWB3-4	COWB3-5
1	Water Boiler Back Section	40300008	40300008	40300008
2	Water Boiler Middle Section	40300007	40300007	40300007
3	Water Front Section	40300006	40300006	40300006
4*	Cast Iron Machined Nipples 2"	43300976	43300976	43300976
5	1/4" Tie Rods	14605002	14605051	14605053
6	Tie Rods 1/4"20 Hex Head Nut	HW-003.02	HW-003.02	HW-003.02
7*	5/16" x 701/2" Braided Rope	43300955	43300955	43300955
8	Target Wall	14619003	14619003	14619003
9	1/2" thick Durablanket	420001139	420001140	420001141
10	Collector Complete (<i>plus item 11, 12, 13</i>)	42500279	42500280	42500281
11	Insulation Tape (<i>plus items 10, 12, 13</i>)	42500279	42500280	42500281
12	Collector Top (<i>plus items 10,11,13</i>)	42500279	42500280	42500281
13	8/32" Brass Wing Nut	13704007	13704007	13704007
14	5/16 X 1¼ Type A Hex Washer Head Screw	14695039	14695039	14695039
15**	Coil Gasket	240007071	240007071	240007071
16**	3.7 GPM Tankless Coil	14627020	14627020	14627020
17	Coil Housing Cover Plate (<i>not shown</i>)	43300256	43300256	43300256
18**	Stainless Steel 3/8"16 x 11/2" Stud	14695113	14695113	14695113
20**	Stainless Steel 3/8" Top Lock Nut	1330008	1330008	1330008
21	1¼" Solid Plug (<i>not shown</i>)	1395002	1395002	1395002
22	Black Silicone Sealant (<i>not shown</i>)	240006837	240006837	240006837
‡	Battery	40300303	40300403	40300503
‡	**Replacement Coil Kit (<i>contains items 15, 16, 18, 20</i>)	43360408	43360408	43360408

* Note: Item quantities marked XXX vary depending upon the number of sections. Four cast iron nipples for first middle replacement section and two for each additional section. Black silicone sealant is sold in 10.1 oz. Cartridges.

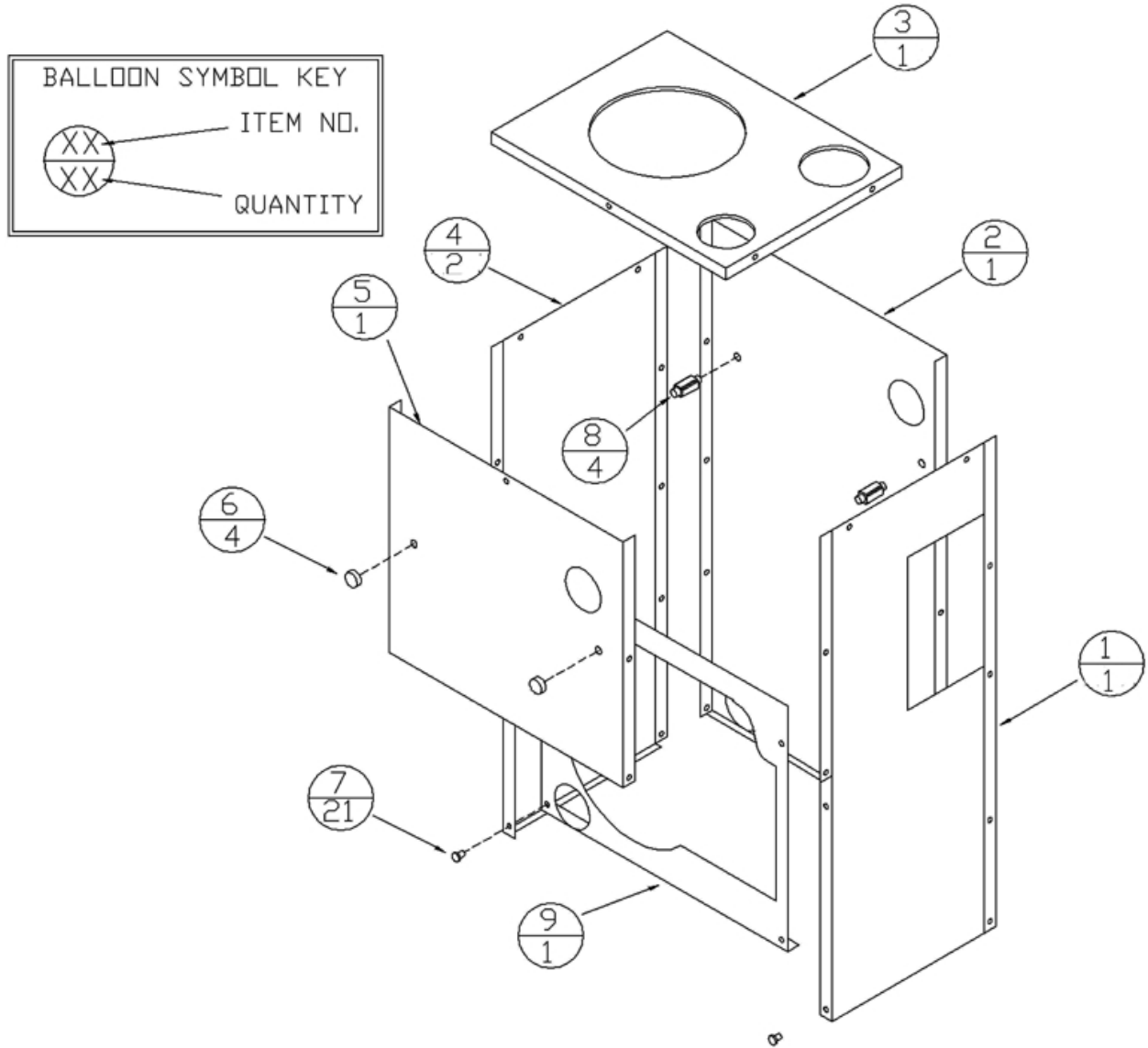
‡ Not illustrated.

REPAIR PARTS



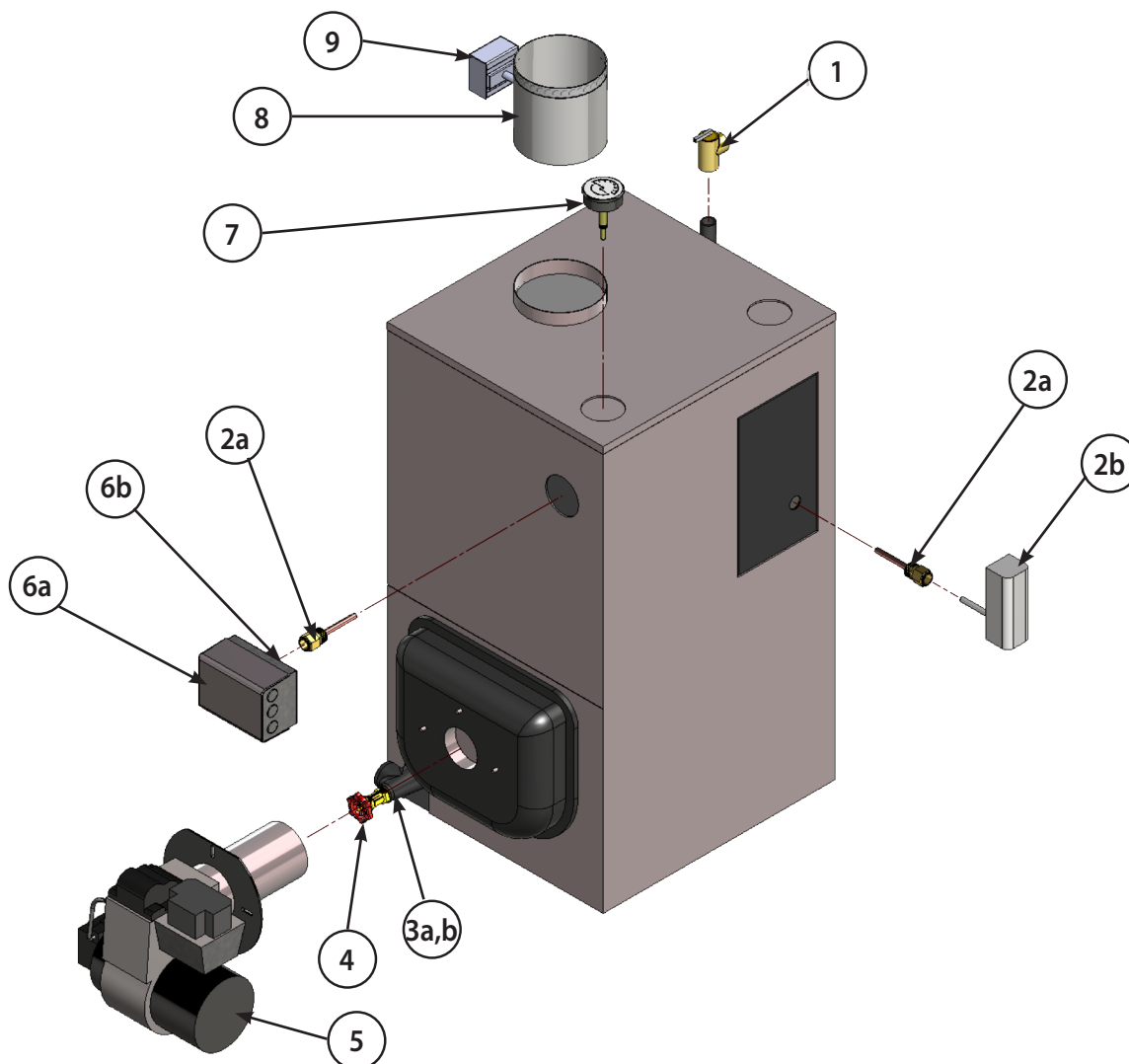
ITEM	DESCRIPTION	PART#
1	Water Front Section	40300006
2	3/8" - 16 X 2-1/4" stud	14695125
3	3/8" Whizlock Nut	14695126
4	Swing Door Insulation	14614014
5	Swing Door Hinge	40300010
6	1/4" x 2" Round Head Rivet	14695121
7	3/8" x 1" Hex Head Serrated Flange Bolt	14695124
8	3/8" x 48" Round Braid	43300905
9	Swing Door	40300009
10	Observation Door	40300014
11	5/16" Lock Washer	14695123
12	3/8" x 3/8" Shoulder Bolt 5/16"-18 Thread	14695122

REPAIR PARTS



ITEM	DESCRIPTION	COWB3-3	COWB3-4	COWB3-5
1	Right Side Jacket Panel	42500244AF	42500245AF	42500246AF
2	Back jacket Panel	42500269AF	42500269AF	42500269AF
3	Top jacket Panel	42500254AF	42500255AF	42500256AF
4	Left Side Jacket Panel	42500264AF	42500265AF	42500266AF
5	Upper Front Jacket Panel	42500267AF	42500267AF	42500267AF
6	5/16" Acorn Nut	14695042	14695042	14695042
7	#10 x 1/2" Jacket Screw	14695074	14695074	14695074
8	Stand Off	14695103	14695103	14695103
9	Lower Front Jacket Panel (boiler w/swing door)	42500268AF	42500268AF	42500268AF
XX	Complete Jacket for Boiler with Swing Door	42600289AF	42600290AF	42600291AF

REPAIR PARTS



ITEM	DESCRIPTION	COWB3-3	COWB3-4	COWB3-5
1	¾" Safety Relief Valve		14622011	
2a	Well, ¾" x 1½", Honeywell 123870A		1635001	
2b	Low Limit Control (w/Tankless Coil Only)		AQ-008.00	
3a	1¼" x 2½" Pipe Nipple	14607044	14607044	14607044
3b	1¼" x ¾" x 1¼" Reducing Tee	1510001	1510001	1510001
4	¾" Drain Valve	240009323	240009323	240009323
5	Oil Burner, Beckett AFG	1050036	1050037	1050038
6a	Limit, Honeywell L7248L		240009128	
6b*	Sensor, Honeywell 50001464-001		240007686	
7	Temperature/Pressure Gauge 2" Stem	1260006	1260006	1260006
8	Flue Connector		30656	
9	Vent Switch		30660	
*	Taco 007 Circulator		CI-001.03	

* Not Shown

BECKETT OIL BURNER, NOZZLE, AND AIR SETTING

BOILER MODEL	DELEVAN OIL NOZZLE	INPUT RATE (gph)	HEAD-ADJ. OR SETTING	LOW FIRE BAFFLE	AIR SHUTTER/BAND	STATIC PLATE	OIL BURNER	RE-RATE KITS
COWB3-3-.65*	0.50-80° B	0.65	F0 - 1 ½	YES	10/0	3 ⅝	AFG F-HEAD	550002745
COWB3-3-.75	0.65-70° B	0.75	F3 - 1 ½	YES	10/0	3 ½	AFG F-HEAD	550002744
COWB3-3-1.00	0.85-70° B	1.00	F3 - 1 ½	NO	10/2	3 ½	AFG F-HEAD	550002743
COWB3-4-.90	0.75-80° A	0.90	F3 - 1 ½	NO	8/0	3 ½	AFG F-HEAD	550002748
COWB3-4-1.25	1.00-80° A	1.25	F6 - 1 ½	NO	10/0	3 ⅝	AFG F-HEAD	550002747
COWB3-4-1.50	1.25-80° A	1.50	F6 - 1 ½	NO	10/2	3 ⅝	AFG F-HEAD	550002746
COWB3-5-1.20	1.00-60° B	1.20	0	NO	10/1.5	2 ¾	AFG 50 MD	550002749
COWB3-5-1.75	1.50-45° B	1.75	2	NO	10/4	2 ¾	AFG 50 MD	

**To fire the COWB3-3-.65 on rate, the oil pressure must be increased to 175 psig. All Beckett oil burners for COWB boilers are factory preset at 140 psig*

NOTE: All burners use an insertion depth of 2 ¼" and fired at a overfire draft of 0.02 inches w.c. The burner settings provided are intended for initial start up only. Final adjustment must be made using combustion test instruments.



PRODUCT LITERATURE
Lennox Industries Inc.
Dallas, Texas