



PRODUCT LITERATURE

Lennox Industries Inc.
Dallas, Texas

PARTS, KITS AND OPTIONAL ACCESSORIES

**CAST IRON GAS FIRED BOILERS
FOR FORCED HOT WATER
With Hydrolevel Control**

**GWB84-060E, GWB84-095E
GWB84-120E, GWB84-150E
GWB84-175E, GWB84-205E
GWB84-235E**

Ordering Instructions

Order Parts through your nearest supplier.

When ordering parts, obtain Model Number and Serial Number from data plate on your boiler.

Include following information when ordering.

Part Number _____

Part Description _____

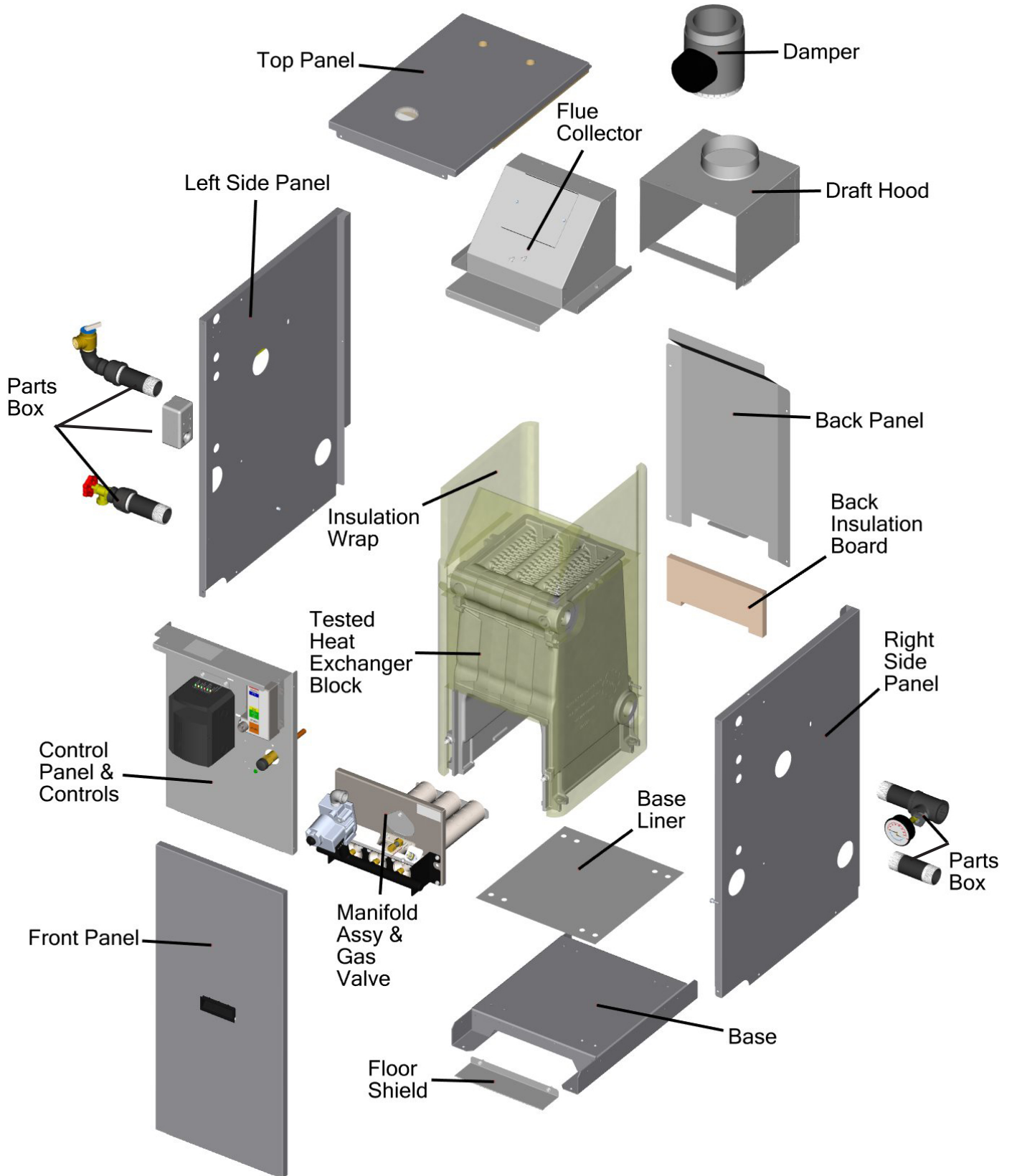
Boiler Model Number _____

Boiler Serial Number _____

TABLE OF CONTENTS

Table of Contents	Page(s)
Jacket, Flue and Draft Hood	4 & 5
Manifold Assembly & Gas Valve	6 & 7
Control Panel	8
Parts Box	9
Heat Exchanger & Insulation	10
Conversion Kits	11

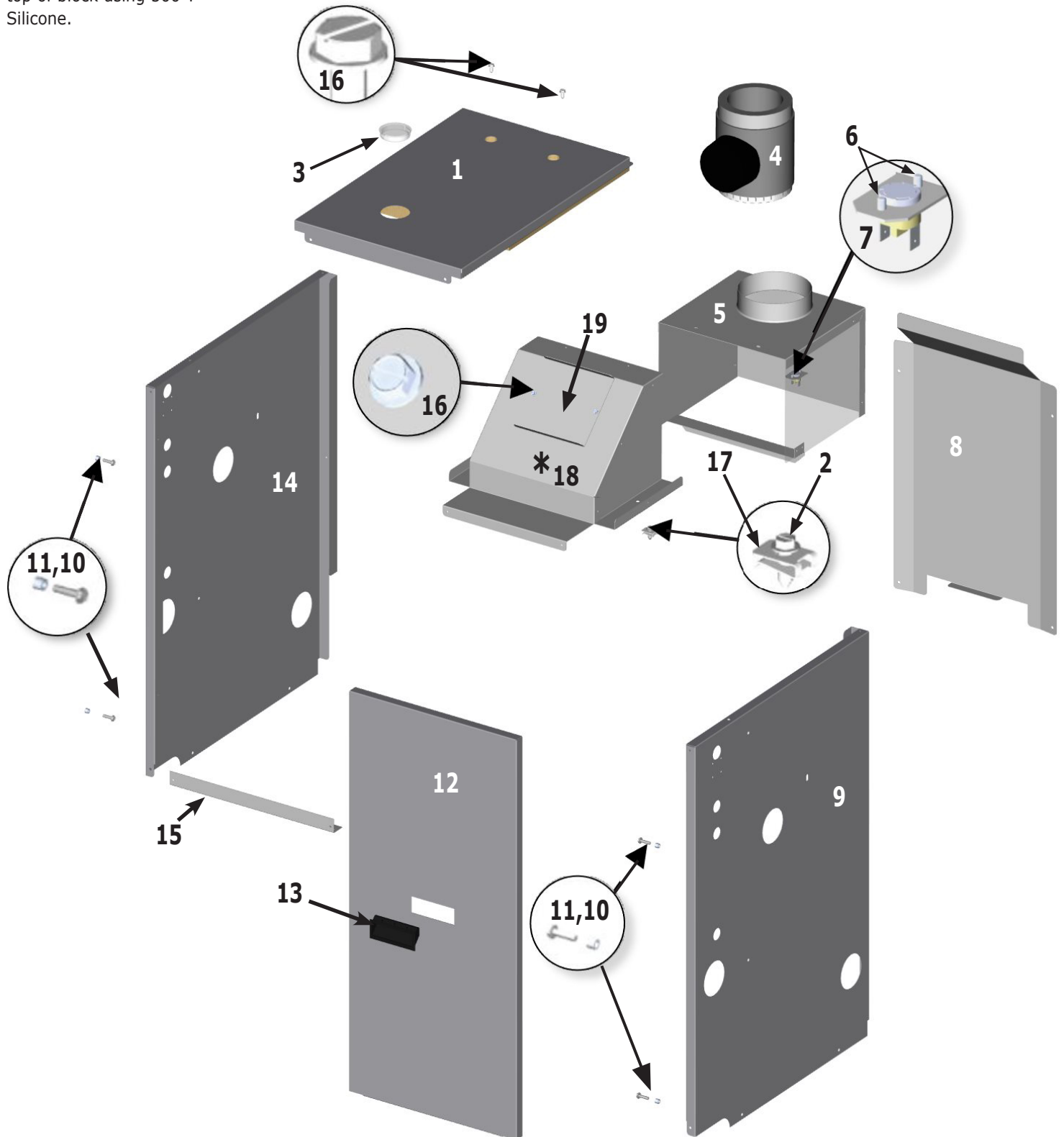
BOILER EXPLODED VIEW - 4 SECTION (GWB84-95E) SHOWN



JACKET, FLUE AND DRAFT HOOD

4 SECTION/ SHOWN

*Note: Flue Collector shall be secured in place to top of block using 500°F Silicone.



JACKET, FLUE AND DRAFT HOOD

Item	Cat No.	Part No.	Description	Qty.
1	N/A	550004077	Jkt Top Panel w/ Labels and Snap-in Window (060, 095)	1
	N/A	550004078	Jkt Top Panel w/ Labels and Snap-in Window (120)	
	N/A	550004079	Jkt Top Panel w/ Labels and Snap-in Window (150)	
	N/A	550004080	Jkt Top Panel w/ Labels and Snap-in Window (175)	
	N/A	550004081	Jkt Top Panel w/ Labels and Snap-in Window (205, 235)	
2	N/A	14695070	Screw Flue Collector To Block	2
3	N/A	240012774	Clear Snap-in Window	1
4	10D77	240006936	4" Damper (060)	1
	10D78	240006937	5" Damper (095)	
	75Y13	240006938	6" Damper (120, 150)	
	75Y14	240006939	7" Damper (175, 205, 235)	
NS	20X12	240012713	Vent Damper Harness	1
5	N/A	109010255	Draft Hood (060)	1
	N/A	109010256	Draft Hood (095)	
	N/A	109010257	Draft Hood (120)	
	N/A	109010258	Draft Hood (150)	
	N/A	109010259	Draft Hood (175)	
	N/A	109010260	Draft Hood (205)	
6	N/A	HW06501	Screw for Spill Switch	1
7	Y5407	AQ02101	Spill Switch	1
8	N/A	109010298	Jkt Back Panel (060, 095)	1
	N/A	109010299	Jkt Back Panel (120)	
	N/A	109010300	Jkt Back Panel (150)	
	N/A	109010301	Jkt Back Panel (175)	
	N/A	109010302	Jkt Back Panel (205,235)	
9	N/A	550004075	Jkt Side Right Panel with Labels	1
10	N/A	240012789	Front Panel Mount Bushing	4
11	N/A	2120103	Screw For Front Panel Mount Bushing	4

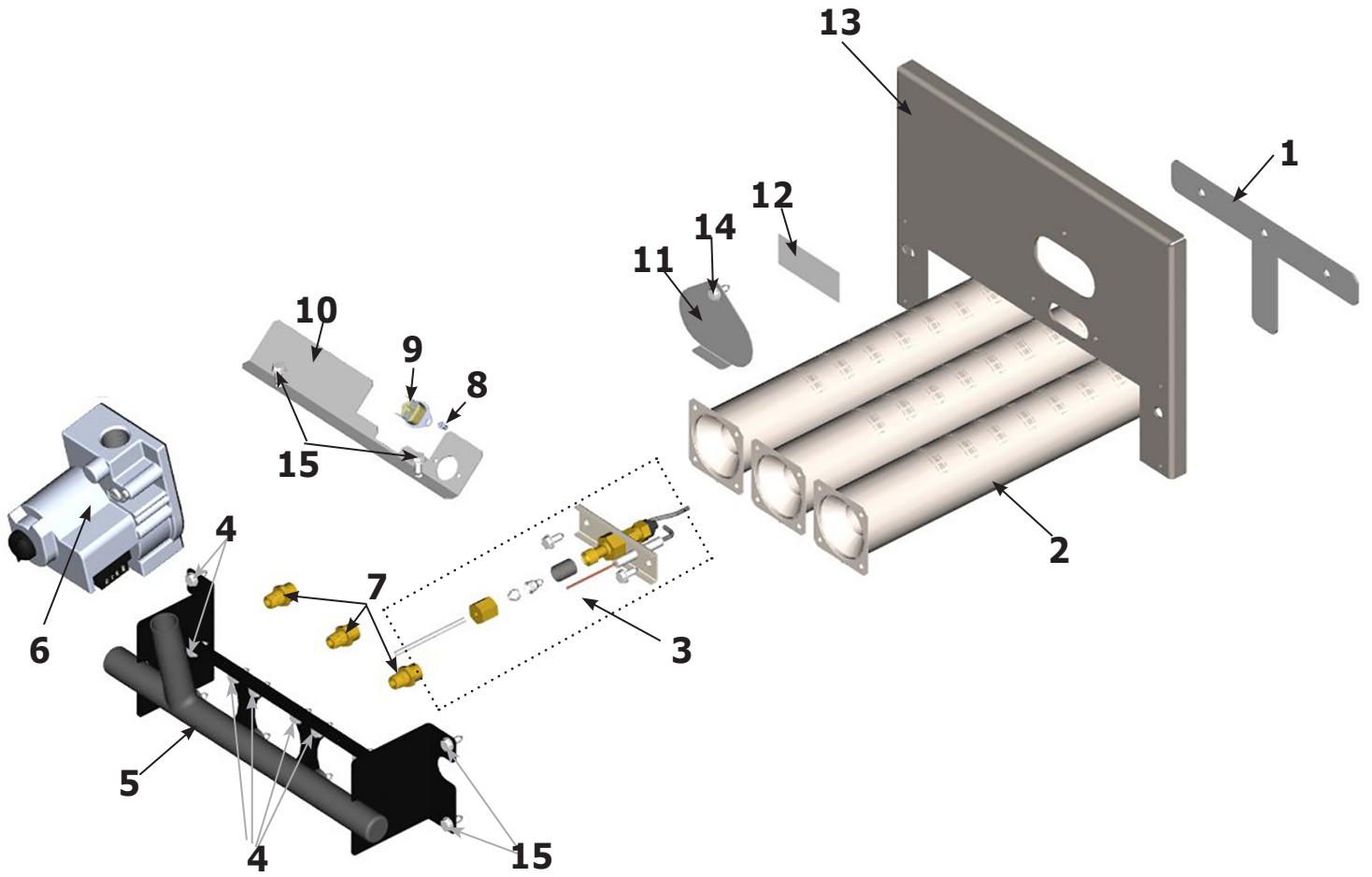
Item	Cat No.	Part No.	Description	Qty.
12	N/A	550004082	Jkt Front w/ Labels & Grab Handle (060, 095)	1
	N/A	550004083	Jkt Front w/ Labels & Grab Handle (120)	
	N/A	550004084	Jkt Front w/ Labels & Grab Handle (150)	
	N/A	550004085	Jkt Front w/ Labels & Grab Handle (175)	
	N/A	550004086	Jkt Front w/ Labels & Grab Handle (205, 235)	
13	N/A	28673	Grab Handle	1
14	N/A	550004076	Jkt Side Left Panel with Labels	1
15	N/A	109010411	Tie Bar (060,095)	1
	N/A	109010412	Tie Bar (120)	
	N/A	109010413	Tie Bar (150)	
	N/A	109010414	Tie Bar (175)	
	N/A	109010415	Tie Bar (205,235)	
16	N/A	14695074	Screws for Hood Assy, Jacket & Cleanout Plate	14
17	N/A	240012773	Flue Collector Clip	2
*18	N/A	109010262	Flue Collector (060)	1
	N/A	109010263	Flue Collector (095)	
	N/A	109010264	Flue Collector (120)	
	N/A	109010265	Flue Collector (150)	
	N/A	109010266	Flue Collector (175)	
	N/A	109010267	Flue Collector (205)	
	N/A	109010268	Flue Collector (235)	
	N/A	109010278	Flue Cleanout Plate	
19	N/A	109010278	Flue Cleanout Plate	1
NS	N/A	207000004	Wire Clip, One Hole P-clip	2

*Note Flue Collector shall be secured in place to top of block using 500°F (260°C) Silicone.

NS = Not Shown

MANIFOLD ASSEMBLY & GAS VALVE

4 SECTION/ SHOWN

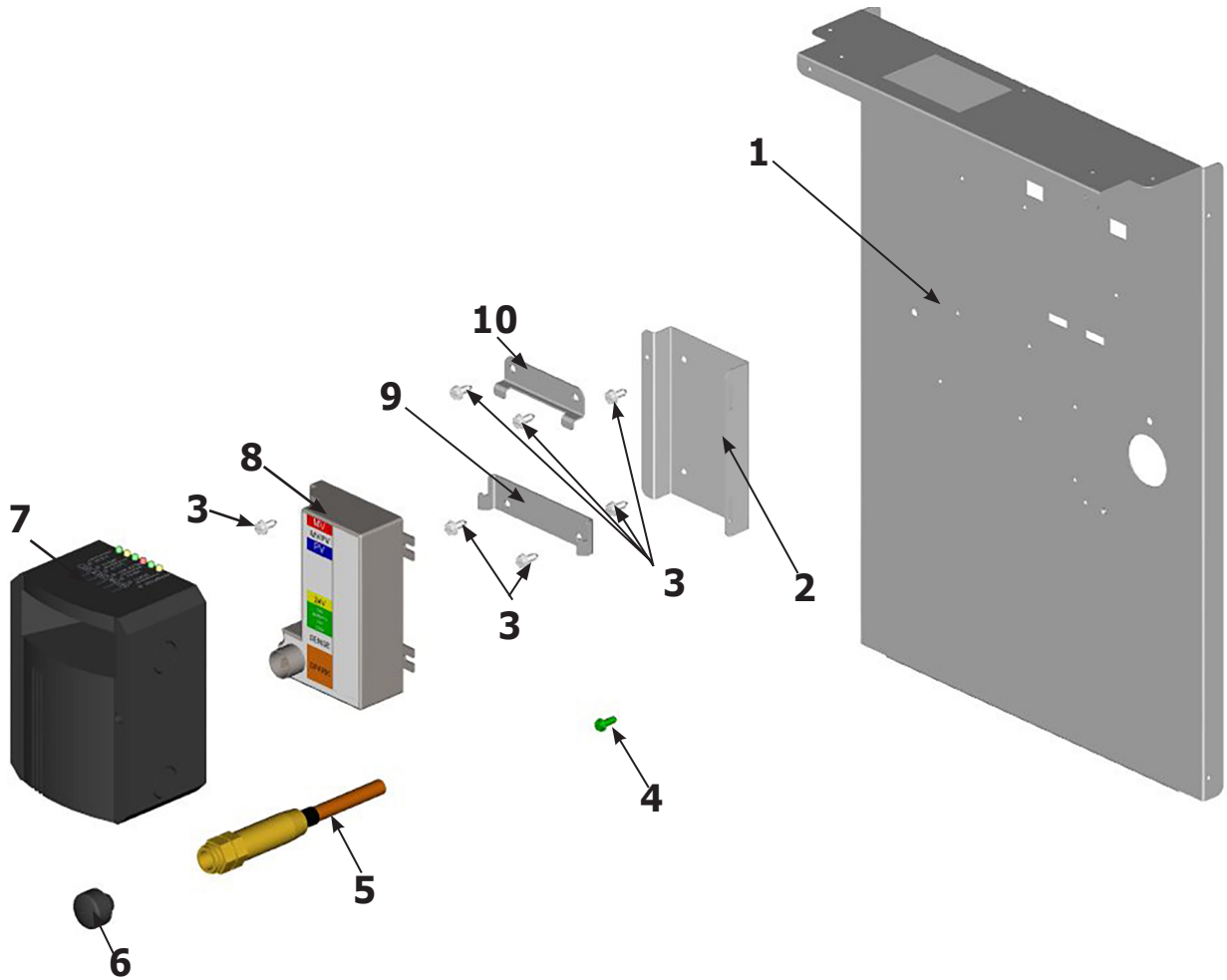


MANIFOLD ASSEMBLY & GAS VALVE

Item	CAT No.	Part No.	Description	QTY.	Item	CAT No.	Part No.	Description	QTY.
1	N/A	109010325	Burner Support T, 3 Sec, (060)	1	7 Nat	20X15	240012911	Orifice, NAT , 1/8", #40 (060)	2
	N/A	109010326	Burner Support T, 4 Sec, (095)			20X16	240012909	Orifice, NAT , 1/8", #38 (095)	3
	N/A	109010327	Burner Support T, 5 Sec, (120)			20X17	240012910	Orifice, NAT , 1/8", #39 (120)	4
	N/A	109010328	Burner Support T, 6 Sec, (150)			20X17	240012910	Orifice, NAT , 1/8", #39 (150)	5
	N/A	109010329	Burner Support T, 7 Sec, (175)			20X17	240012910	Orifice, NAT , 1/8", #39 (175)	6
	N/A	109010330	Burner Support T, 8 Sec, (205)			20X17	240012910	Orifice, NAT , 1/8", #39 (205)	7
	N/A	109010331	Burner Support T, 9 Sec, (235)			20X17	240012910	Orifice, NAT , 1/8", #39 (235)	8
2	20X13	240012755	Burner (060)	2	7 LP	20X18	240012921	Orifice, LP , 1/8", BRS, #53 (060)	2
			Burner (095)	3		20X19	240012920	Orifice, LP , 1/8", BRS, #52 (095)	3
			Burner (120)	4		20X18	240012921	Orifice, LP , 1/8", BRS, #53 (120)	4
			Burner (150)	5		20X18	240012921	Orifice, LP , 1/8", BRS, #53 (150)	5
			Burner (175)	6		20X18	240012921	Orifice, LP , 1/8", BRS, #53 (175)	6
			Burner (205)	7		20X18	240012921	Orifice, LP , 1/8", BRS, #53 (205)	7
			Burner (235)	8		20X18	240012921	Orifice, LP , 1/8", BRS, #53 (235)	8
3	20X14	550003793	Pilot Assy	1	8	N/A	HW06501	Rollout Switch Screw	2
			Pilot Orifice, NAT	1	9	Y5407	AQ02101	Rollout Switch	1
			Pilot Orifice, LP	1	10	N/A	109010310	Rollout Switch Bracket (060)	1
			Pilot Nut	1		N/A	109010311	Rollout Switch Bracket (095)	
			Pilot Tube	1		N/A	109010312	Rollout Switch Bracket (120)	
			Pilot Screws	2		N/A	109010313	Rollout Switch Bracket (150)	
			Pilot Compression Fitting	1		N/A	109010314	Rollout Switch Bracket (175)	
			Pilot Screen	1		N/A	109010315	Rollout Switch Bracket (205)	
			Instructions (240012831)	1		N/A	109010316	Rollout Switch Bracket (235)	
4	N/A	HW09001	#10 Screw- Manifold, Burners, Pilot (060)	17	11	N/A	109010277	Cover View Port,Flame	1
			#10 Screw- Manifold, Burners, Pilot (095)	21	12	N/A	240011572	Caution Label	1
			#10 Screw- Manifold, Burners, Pilot (120)	25	13	N/A	109010269	Plate,Burner,3 Sec,(060)	1
			#10 Screw- Manifold, Burners, Pilot (150)	29		N/A	109010270	Plate,Burner,4 Sec,(095)	
			#10 Screw- Manifold, Burners, Pilot (175)	33		N/A	109010271	Plate,Burner,5 Sec,(120)	
			#10 Screw- Manifold, Burners, Pilot (205)	37		N/A	109010272	Plate,Burner,6 Sec,(150)	
			#10 Screw- Manifold, Burners, Pilot (285)	41		N/A	109010273	Plate,Burner,7 Sec,(175)	
N/A	240012732	Gas Manifold (060)	1	N/A	109010274	Plate,Burner,8 Sec,(205)			
N/A	240012733	Gas Manifold (095)		N/A	109010275	Plate,Burner,9 Sec,(235)			
N/A	240012734	Gas Manifold (120)		14	N/A	14695074	#10 Screw, sheet metal	VAR	
N/A	240012735	Gas Manifold (150)							
N/A	240012736	Gas Manifold (175)							
N/A	240012737	Gas Manifold (205)							
N/A	240012738	Gas Manifold (235)							
6	Y5405	VG01101	VLV,GAS,NAT,1/2x1/2,SPK (060-175)	1					
	Y5406	VG01103	VLV,GAS,NAT,3/4x3/4,SPK (205-235)	1					

NS = Not Shown

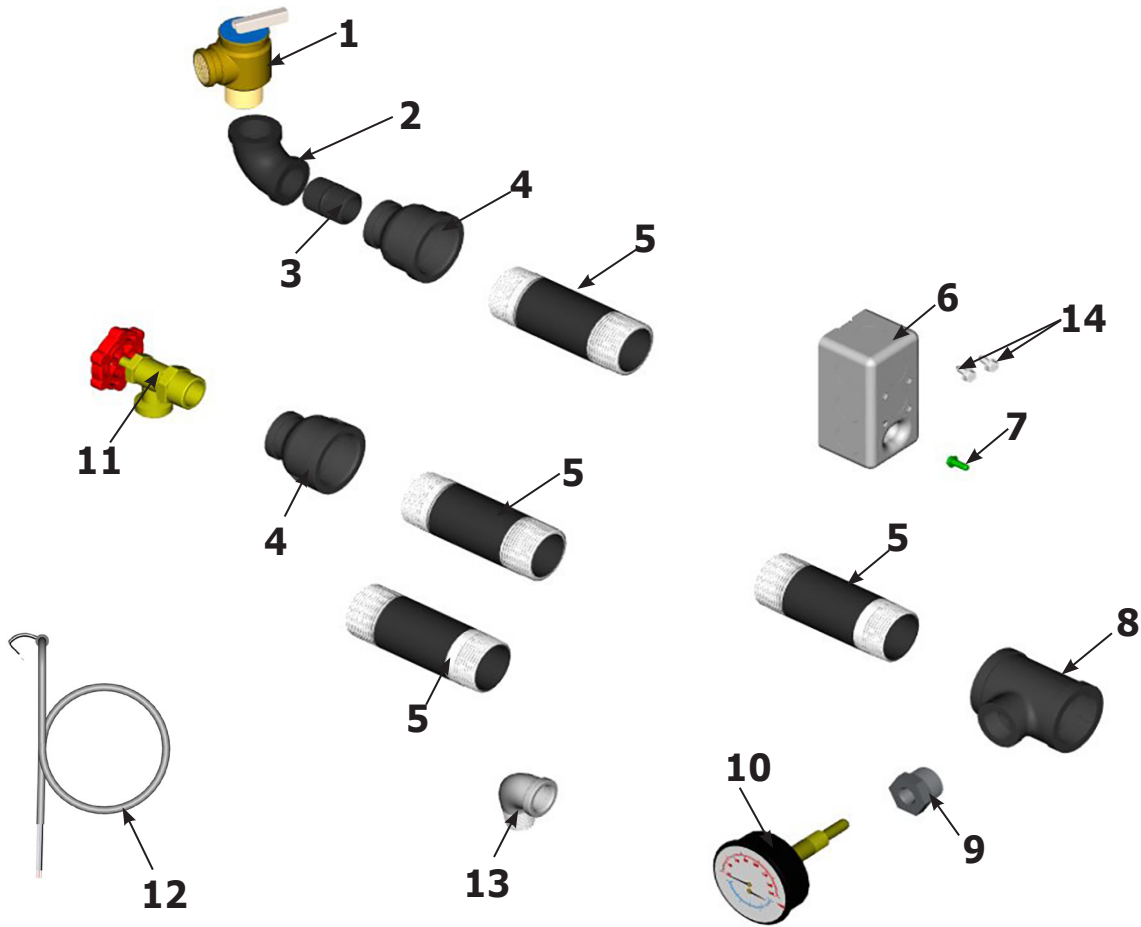
CONTROL PANEL



Item	CAT No.	Part No.	Description	QTY.	Item	CAT No.	Part No.	Description	QTY.
1	N/A	109010291	Control Panel (060)	1	8	92X30	14662070	Spark Box	1
	N/A	109010292	Control Panel (095)	1	9	N/A	109010333	Bracket,Lower,Control	1
	N/A	109010293	Control Panel (120)	1	10	N/A	109010332	Bracket,Upper, Control	1
	N/A	109010294	Control Panel (150)	1	NS	20X06	240012711	Main Wire Harness (060-150)	1
	N/A	109010295	Control Panel (175)	1		20X07	240012714	Main Wire Harness (175-235)	1
	N/A	109010296	Control Panel (205)	1	NS	N/A	240009680	Warning Label Disconnect Power	1
	N/A	109010297	Control Panel (235)	1	NS	21A26	240012635	2 Ft LWCO Sensor Cable	1
2	N/A	109008481AD	Bracket- Spark Box Standoff	1	NS	20X12	240012713	Vent Damper Harness	1
3	N/A	14695074	Screw #10 X 1/2" , A Point, Panel	7	NS	N/A	14693011	Split Ring Grommet for Control Bx	1
4	N/A	HW07701	Ground Screw #8	1					
5	20X04	240012758	Sensor Well	1					
6	21U45	240007713	Grommet, Hydrolevel	1					
7	20X05	240012842	Hydrolevel Control	1					

NS = Not Shown

PARTS BOX



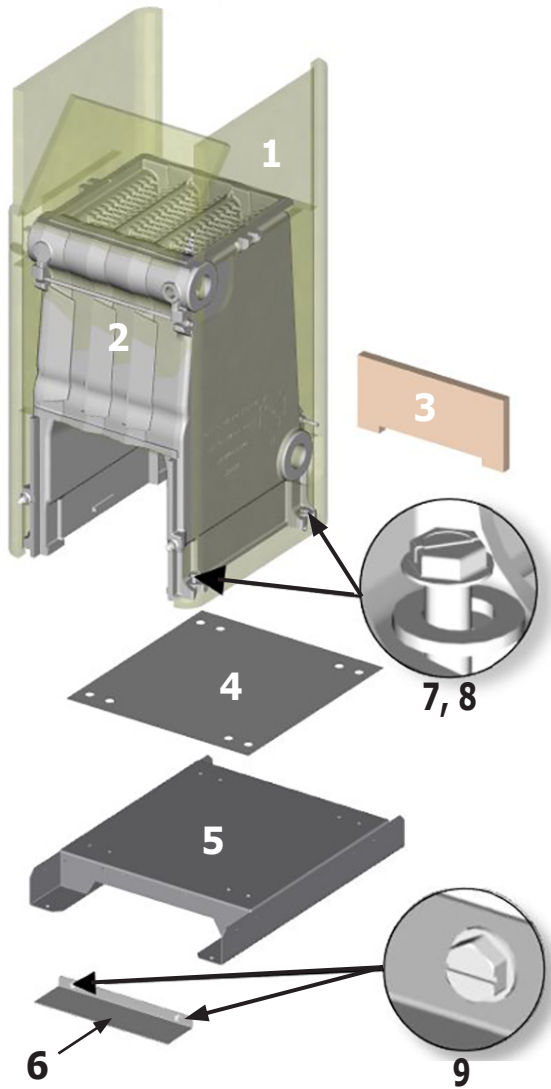
060 / 095 / 120 / 150 / 175 CAT No. 20X08 Parts Box Kit 550003794 Includes:				
Item	CAT No.	Part No.	Description	QTY.
1	Y5385	VR-001.01	ASME Relief Valve, 30 PSI, 3/4"	1
2	N/A	1190001	Pipe, Elbow 3/4" 90°	1
3	N/A	1310004	Close Nipple 3/4" NPT	1
4	N/A	240012815	Reducing coupling 1-1/4" x 3/4" NPT	2
5	N/A	14607017	NPL,1-1/4" x 6" ,BI,STD	4
6	N/A	212000017	Box,Junction,2" x 4" x 1-7/8"	1
7	N/A	HW09001	Ground Screw #10	1
8	N/A	PF05901	Tee 1-1/4" x 1-1/4" x 3/4" NPT	1
9	N/A	1060002	Bushing 3/4" x 1/4" NPT	1
10	Y5392	1260006SP	GA,Temp/Press, 2" Shank	1
11	N/A	240009323	Drain Valve 3/4"	1
12	N/A	240012712	Harness, Circulator, 60"	1
13	N/A	240012828	ELB,90°,ST,1/2NPT,BI (060-175)	1
14	N/A	14695074	Screw, #10 For Junction Box	2
NS	N/A	206000021	Panel Hole Plug	3

205 / 235 CAT 20X09 Parts Box Kit 550003795 Includes:				
Item	Cat No.	Part No.	Description	QTY.
1	Y5385	VR-001.01	ASME Relief Valve, 30 PSI, 3/4"	1
2	N/A	1190001	Pipe, Elbow 3/4" 90°	1
3	N/A	1310004	Close nipple 3/4" NPT	1
4	N/A	240012815	Reducing coupling 1-1/4" x 3/4" NPT	2
5	N/A	14607017	NPL, 1-1/4" x 6" ,BI,STD	4
6	N/A	212000017	Box,Junction, 2" x 4" x 1-7/8"	1
7	N/A	HW09001	Ground Screw #10	1
8	N/A	PF05901	Tee 1-1/4" x 1-1/4" x 3/4" NPT	1
9	N/A	1060002	Bushing 3/4" x 1/4" NPT	1
10	Y5392	1260006SP	GA,Temp/Press, 2" Shank	1
11	N/A	240009323	Drain Valve 3/4"	1
12	N/A	240012712	Harness, Circulator, 60"	1
13	N/A	240012828	ELB,90°,ST,1/2NPT,BI (060-175)	1
14	N/A	14695074	Screw, #10 For Junction Box	2
NS	N/A	206000021	Panel Hole Plug	3

NS = Not Shown

HEAT EXCHANGER BLOCK AND INSULATION

GWB84-095/ 4 SECTION SHOWN



When evaluating HTEX block replacement, please review insulation parts if needed

****Note:** Rear Insulation Board shall be secured in place using 400°F Silicone.

Item	CAT No.	Part No.	Description	QTY.
1	N/A	240012766	Heat Exchanger Block Insulation Wrap (060)	1
	N/A	240012767	Heat Exchanger Block Insulation Wrap (095)	1
	N/A	240012768	Heat Exchanger Block Insulation Wrap (120)	1
	N/A	240012769	Heat Exchanger Block Insulation Wrap (150)	1
	N/A	240012770	Heat Exchanger Block Insulation Wrap (175)	1
	N/A	240012771	Heat Exchanger Block Insulation Wrap (205)	1
	N/A	240012772	Heat Exchanger Block Insulation Wrap (235)	1
2	N/A	912000105	Tested Block 3 Section (060)	1
	N/A	912000106	Tested Block 4 Section (095)	1
	N/A	912000107	Tested Block 5 Section (120)	1
	N/A	901000108	Tested Block 6 Section (150)	1
	N/A	912000109	Tested Block 7 Section (175)	1
	N/A	912000110	Tested Block 8 Section (205)	1
	N/A	912000111	Tested Block 9 Section (235)	1
**3	N/A	240012748	Rear Insulation Board (060)	1
	N/A	240012749	Rear Insulation Board (095)	1
	N/A	240012750	Rear Insulation Board (120)	1
	N/A	240012751	Rear Insulation Board (150)	1
	N/A	240012752	Rear Insulation Board (175)	1
	N/A	240012753	Rear Insulation Board (205)	1
	N/A	240012754	Rear Insulation Board (235)	1
4	N/A	109010249	Base Liner (060,095)	1
	N/A	109010250	Base Liner (120)	1
	N/A	109010251	Base Liner (150)	1
	N/A	109010252	Base Liner (175)	1
	N/A	109010253	Base Liner (205,235)	1
5	N/A	109010244	Base (060,095)	1
	N/A	109010245	Base (120)	1
	N/A	109010246	Base (150)	1
	N/A	109010247	Base(175)	1
	N/A	109010248	Base (205,235)	1
6	N/A	109010318	Shield, Floor (060)	1
	N/A	109010319	Shield, Floor (095)	1
	N/A	109010320	Shield, Floor (120)	1
	N/A	109010321	Shield, Floor (150)	1
	N/A	109010322	Shield, Floor (175)	1
	N/A	109010323	Shield, Floor (205)	1
	N/A	109010234	Shield, Floor (235)	1
7	N/A	14695039	SCR, Block to Base 5/16"x1-1/4"	4
8	N/A	HW-008.01	Washer 5/16"	4
9	N/A	14695074	SCR,10x1/2",TYPE AB,SLT,HWH,SZN	2

CONVERSION KITS

NATURAL GAS TO PROPANE (LP) CONVERSION KIT		
CAT No.	Part No.	Description
20X10	550003778	Conversion, Kit Natural to LP (all sizes)

PROPANE (LP) TO NATURAL GAS CONVERSION KIT		
CAT No.	Part No.	Description
20X11	550003884	Conversion,Kit LP to Natural (all sizes)



PRODUCT LITERATURE
Lennox Industries Inc.
Dallas, Texas