



PRODUCT LITERATURE

Lennox Industries Inc.
Dallas, Texas

**PARTS, KITS &
OPTIONAL
ACCESSORIES**

GCWB95F-150

CONDENSING GAS FIRED

ORDERING INSTRUCTIONS

ORDER PARTS THROUGH YOUR NEAREST SUPPLIER.

WHEN ORDERING PARTS, OBTAIN MODEL NUMBER AND SERIAL NUMBER FROM
DATA PLATE ON YOUR BOILER.

INCLUDE FOLLOWING INFORMATION WHEN ORDERING.

PART NUMBER _____

PART DESCRIPTION _____

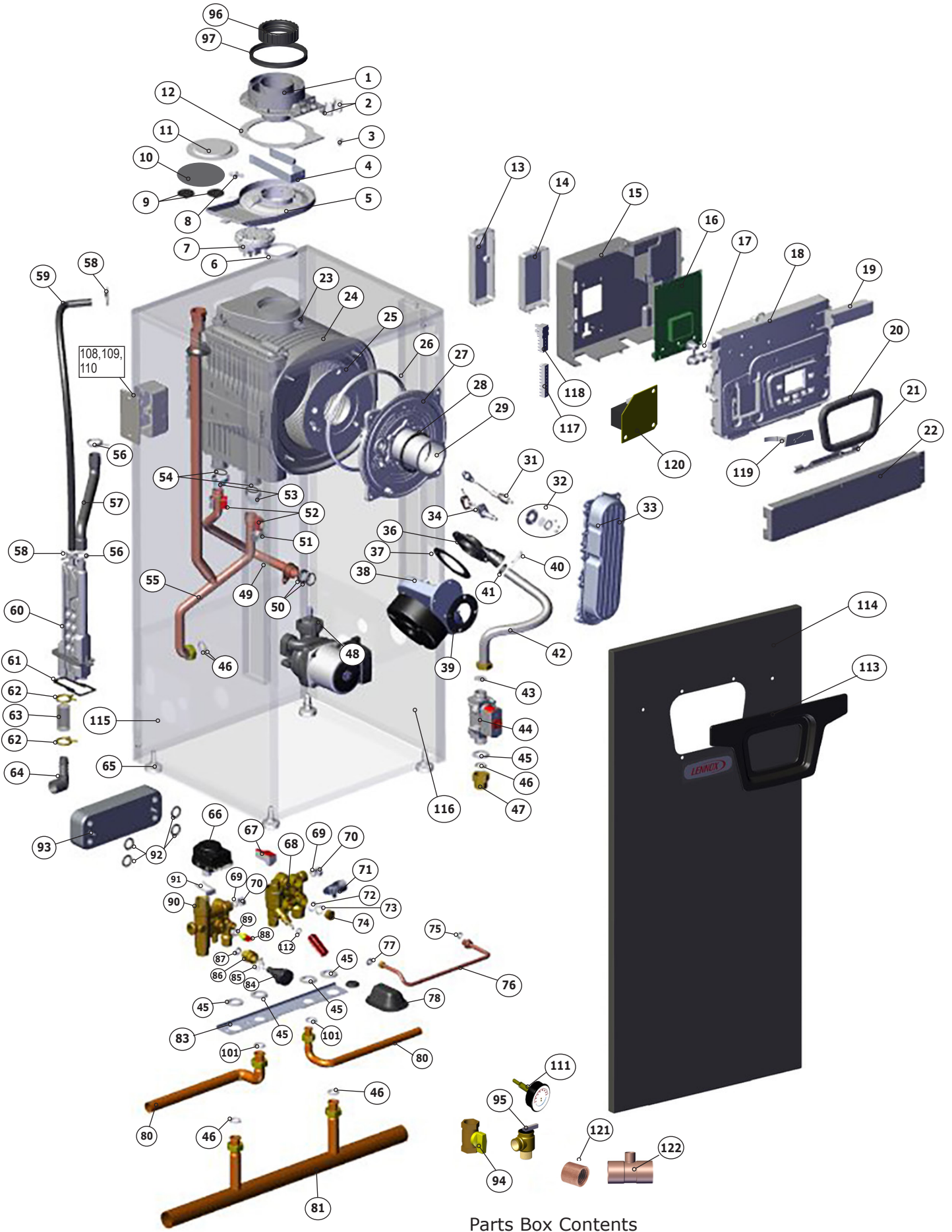
BOILER MODEL NUMBER _____

BOILER SERIAL NUMBER _____

TABLE OF CONTENTS

KITS	
PAGE	DESCRIPTION
6	FRONT JACKET KIT
6	RIGHT SIDE JACKET KIT
6	LEFT SIDE JACKET KIT
6	SIGHT GLASS REPLACEMENT KIT
6	IGNITION ELECTRODE REPLACEMENT KIT
6	FLAME SENSOR REPLACEMENT KIT
7	COMBUSTION CHAMBER GASKET REPLACEMENT KIT
7	BURNER REPLACEMENT KIT
7	FAN, AIR MIXER, BLOWER REPLACEMENT KIT
7	REPLACEMENT GAS VALVE KIT
8	DHW PLATE REPLACEMENT EXCHANGER KIT
8	THREE WAY VALVE MOTOR REPLACEMENT KIT
8	DHW TEMPERATURE SENSOR REPLACEMENT KIT
8	PCB/CONTROL REPLACEMENT KIT
8	SERVICE KEY REPLACEMENT KIT
9	FLUE GASKET REPLACEMENT KIT
9	FLUE CONNECTION GASKET REPLACEMENT
10	SEALS, CLIPS, ETC, KIT
10	COMBUSTION CHAMBER CLEANING KIT
11	ACCESSORIES

PARTS AND ACCESSORIES



Parts Box Contents

PARTS AND ACCESSORIES

ITEM	CAT NO.	PART NO.	DESCRIPTION
1	N/A	BD711085102V	FLUE ADAPTOR 60/100
2	N/A	BD7718578	TEST PORT PLUG
3	N/A	BD000005409571	PRESSURE CONNECTION
4	N/A	BD711085501V	FLUE SUPPORT BRKT
*5	N/A	BD710282302V	CONDENSATE TRAY GASKET FRESH AIR
6	N/A	BD710108001V	SEAL D.60 - SUMP
7	20C71	BD000005679722	PRESSURE SWITCH HUBA 400
8	N/A	BD711088501V	PRESSURE CONNECTION
9	N/A	BD710117301V	WIRING GROMMET
10	N/A	BD7103005V	GSKT,RING,CVR PLT,TWIN PIPE
11	N/A	BD710300601V	CVR PLT,TWIN PIPE
12	N/A	BD710107601V	FLUE ADAPTOR GASKET
13	N/A	BD711075601V	TERMINAL BLOCK COVER
14	N/A	BD711075801V	CLIP-IN COVER V0
15	N/A	BD711075102V	CONTROL PANEL REAR
16	20C49	550003746	KIT,RPLMT,CTRL,0-10V,ALL+
17	N/A	BD710126301V	7-BUTTON KEYPAD
18	N/A	BD711074801V	CONTROL BOX FACIA
19	N/A	BD711075501V	CONTROL PANEL SUPPORT ARM
20	N/A	240012611	GSKT,A/I CTRL FACE,,50 THK
21	N/A	BD710014402V	CONTROL BOX HINGE
22	N/A	109010174	UPPER CONTROL SUPPORT
23	N/A	BD711180100	FLUE SENSOR 20 K OHM
24	20C58	BD711447001V	HEAT EXCHANGER
26	N/A	BD710111502V	COMB CHAMBER GASKET
27	N/A	BD711571000	COMBUSTION CHAMBER UPPER COVER
28	N/A	BD711408002V	GASKET, BURNER
29	20C33	550003155	BURNER 150 (KIT)
30	N/A	BD710185201V	FLAME SENSING ELECTRIC GASKET
31	20C29	550003151	FLAME SENSOR,B&P (KIT)
32	20C35	550003157	SIGHT GLASS REPLACEMENT (KIT)
33	N/A	BD711187501V	AIR GAS MNFLD
34	20C30	550003152	ELECTRODE IGNITION (KIT)
35	N/A	BD710185302V	GSKT,IGN,PEN
36	N/A	BD710458104V	MIXER PL30 C1500107 (GAS TRAIN)
37	N/A	BD710042401V	VENTURI,GASKET MIXER TO FAN
38	20C32	550003154	FAN NRG 118 (INDUCER) (KIT)
39	N/A	BD5410900	VENTURI GASKET
40	N/A	BD710011401V	CLIP - FIXING GAS PIPE
41	N/A	BD710061402V	O-RING 18X3 NBR
42	N/A	BD711007101V	FLEXIBLE GAS PIPE 6 E
43	N/A	BD710458501V	GAS ORIFICE 5.8 MM
44	N/A	BD766630601V	GAS VLV B&P SGV101
45	N/A	BD710039501V	GAS VALVE TO CABINET GASKET
46	N/A	BD710113001V	GAS VALVE TO ADPTR GSKT 3/4"G THREAD
47	N/A	BD722270601V	3/4" ADAPTER GAS VALVE TO NPT

ITEM	CAT NO.	PART NO.	DESCRIPTION
48	20C74	BD710786502V	PUMP UPR 15-58 2VEL L4 120V
49	N/A	BD711425802V	ASSY PIPE PUMP - EXCHANGER
50	N/A	BD710963001V	O-RING 21,5X3 EP7
51	20C73	BD710626001V	SUPPLY & RETURN SENSOR (CLIP ON) 10K
52	N/A	BD722143801V	SNSR,WTR,22MM BRKT,12K NTC 3%
53	N/A	BD721623501V	FIXING CLIP - HEX PIPES
54	N/A	BD000005411331	O-RING 20,24X2,62
55	N/A	240012555	SUPPLY PIPE 3WV TO HTEX & RELIEF VALVE
56	N/A	BD710151101V	SPRING CLIP BIFM252
57	N/A	BD766859301V	HOSE,HTEX TO CONDENSATE TRAP
58	N/A	BD710111001V	SPRING CLIP BIFM182
59	N/A	BD710066001V	HOSECONDENSATE TRAY TO TRAP
60	20C60	BD765674901V	CONDENSATE TRAP
61	N/A	BD721696402V	GSKT CONDSATE TRAP TO CABINET
62	N/A	BD710111201V	WIRE SPRING BIFM
63	N/A	BD710079501V	PIPE CONDENSATE DISCHARGE
64	N/A	240008257	ELB,90°,PVC,3/4"BARBX1/2"NPT FML
65	N/A	14631091	LEG,ADJ,GLIDE,CO-2366
66	20C38	550003166	THREE WAY MOTOR (KIT)
67	N/A	BD710189401V	FLOW DETECTOR,RED
68	N/A	BD767360001V	DHW CH RETURN BLOCK ASSY
69	N/A	BD769728001V	GASKET.6,1X11.5X2.0
70	N/A	BD000005202001	CUP NUT M14X1
71	N/A	BD710188101V	DRAIN TAP
73	N/A	240011438	ORING,15X2,EP
74	N/A	240011437	PLUG,BRS,
75	N/A	BD710107801V	O-RING 8,73X1,78
76	N/A	BD711052301V	FILLING PIPE ASSY
77	N/A	BD710121501V	GASKET G3/8 8X15X
78	N/A	BD710156201V	SEAL - FILLING TAP
80	N/A	240012567	PIPE,DHW,FLR
81	N/A	240012557	MNFLD,HDR,FLR
83	N/A	BD710168304V	HYDRAULIC SUPPORT BRACKET
84	20C59	BD710109101V	PRESSURE SENSOR
85	N/A	BD710188902V	FIXING CLIP
86	N/A	BD710168401V	ADAPTER - PRESSURE SENSOR
87	N/A	BD769728001V	GASKET.6,1X11.5X2.0
88	N/A	BD710831501V	NTC SENSOR HONEYWELL-S011026
89	N/A	BD710189001V	GASKET 9,7X15X2
90	N/A	BD7720211	3-WAY VALVE BLOCK
91	N/A	BD710188501V	FIXING CLIP - 3WAY VALVE MOTOR
92	N/A	BD722275601V	O-RING 18.3X3.6 R15-
93	20C31	550003153	DHW 20-PLATE EXCHANGER (KIT)
94	20C67	BD000005643331	GAS BALL VALVE G3/4 NPT
95	Y5385	VR-001.01	VLV,RLF,ASME,30PSI,3/4 (10-407-05)

NS= NOT SHOWN

PARTS AND ACCESSORIES

ITEM	CAT NO.	PART NO.	DESCRIPTION
96	N/A	BD710107101V	SEAL D.100 - FLUE ADAPTOR
97	N/A	BD710107401V	SEAL D.60 - FLUE ADAPTOR
101	N/A	BD710113601V	GASKET G1/2 AFM
104	N/A	BD710188902V	FIXING CLIP
108	N/A	212000017	BOX,JCT,2"X4"X1-7/8",RACO 660
109	N/A	BD711634101V	CABLE FIXING NUT
110	N/A	BD711635101V	CABLE FIXING D.4,8
111	20C66	1260006SP	GA,TEMP/PRESS, 2"SHANK,1PC,SNGL
112	N/A	BD710107801V	O-RING 8,73X1,78
113	N/A	240012039	BEZEL,WNDW,
114	20C63	550003915	KIT, RPLMT, PNL, FRNT
115	20C64	550003916	KIT, RPLMT, PNL, LT
116	20C65	550003917	KIT, RPLMT, PNL. RT
117	N/A	BD710117901V	10-POLE TERMINAL BLOCK PA3
118	N/A	BD000005688441	5-POLE TERMINAL BLOCK W/ DOUBLE
119	N/A	BD710020102V	SERVICE CONNECTOR RUBBER
120	N/A	BD5677892	INTERFACE BOARD
121	N/A	240012852	BUSHING, FLUSH, COPPER, 1/2"X1/4"
122	N/A	240012853	COPPER TEE 1-1/4"X2-1/4"X1/2"
NS	N/A	BD767486200	INLET FILTER 150
NS	N/A	BD710283700	HTEX REAR INSULATION
WIRE HARNESES			
NS	N/A	BD710127501V	FLAME SENSOR CABLE X1
NS	N/A	BD710992901V	REMOTE CONTROL WIRING HARNESS X31
NS	N/A	240012550	HARN,VLV,FLR MNT X22
NS	N/A	240012551	HARN,GAS VLV,FLR MNTX36
NS	N/A	BD710993201V	VENTILATOR PWM WIRING HARNESS X23
NS	N/A	240012548	HARN,PCB,BARTELLI,FLR MNT, X11 & X13
NS	N/A	240012667	HARN,NTC/EXT SNSR,FLR MNT X20
NS	N/A	BD710993405V	PCB B&P WIRING HARNESS X3 & X10
NS	N/A	BD710993702V	THERMOSTAT WIRING X37
NS	N/A	BD710993801V	EARTH CABLE - ELECTRODE,X2 IGNITOR
NS	N/A	240012572	HARN,PWR
NS	N/A	BD711250601V	IGNITION ELECTRODE WIRE
NS	N/A	BD711065801V	X22 HARN,FLUE NTC SNSR
NS	N/A	BD711265102V	INTERFACE BOARD CONNECTOR

NS= NOT SHOWN

JACKET KITS

CAT NO. 20C63 - FRONT JACKET REPLACEMENT KIT 550003915 INCLUDES:

DESCRIPTION	QTY
KIT,JKT,FRNT	1

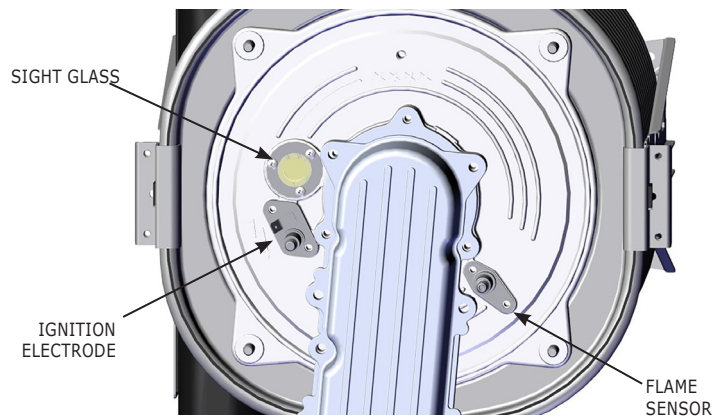
CAT NO. 20C64 - LEFT SIDE JACKET REPLACEMENT KIT 550003916 INCLUDES:

DESCRIPTION	QTY
JKT,SIDE,LT,	1

CAT NO. 20C65 - RIGHT SIDE JACKET REPLACEMENT KIT 550003917-INCLUDES:

DESCRIPTION	QTY
JKT,SIDE,RT,	1

SIGHT GLASS, FLAME SENSOR, AND IGNITION ELECTRODE REPLACEMENT KITS



CAT NO. 20C35 - SIGHT GLASS REPLACEMENT KIT 550003157

PN	DESCRIPTION	QTY
BD710112202V	SIGHT GLASS GASKET	1
BD710112101V	SIGHT GLASS	1
240011403	INSTRUCTIONS	1

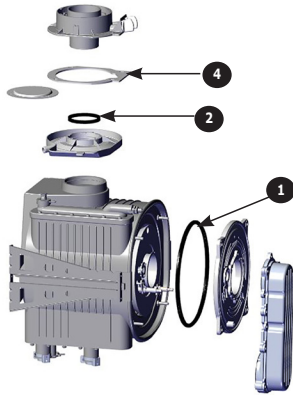
CAT NO. 20C29 - FLAME SENSOR REPLACEMENT KIT 550003151

PN	DESCRIPTION	QTY
BD711010802V	FLAME SENSOR,B&P	1
BD710185201V	FLAME SENSING ELECTRIC GASKET	1
240012293	WRENCH,HEX,3MM	1
240011397	INSTRUCTIONS	1

CAT NO. 20C30 -IGNITION ELECTRODE REPLACEMENT KIT 550003152

PN	DESCRIPTION	QTY
BD711010702V	ELECTRODE IGNITION	1
BD710185302V	GSKT,IGN,PEN	1
240012293	WRENCH,HEX,3MM	1
240011398	INSTRUCTIONS	1

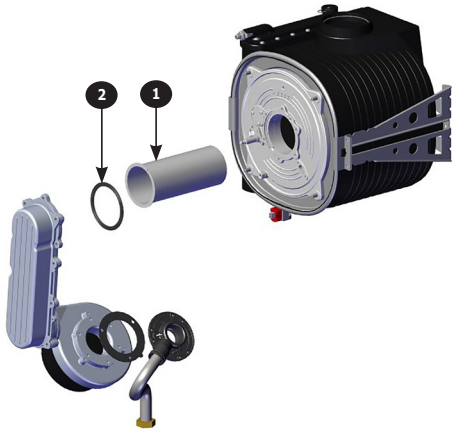
COMBUSTION CHAMBER GASKET REPLACEMENT KIT



CAT NO. 20C34 - COMBUSTION CHAMBER GASKET REPLACEMENT KIT 550003156 INCLUDES:

POS	PN	DESCRIPTION	QTY
1	BD710111502V	COMBUSTION CHAMBER GASKET	1
2	BD710108001V	GASKET WITH DOUBLE LIP (CONDENSATE TRAY)	1
3	BD710107601V	FLUE ADAPTER GASKET	1
NS	BD000005411030	GASKET (WATER TRAY TO HEAT EXCHANGER)	1
NS	240011402	INSTRUCTIONS	1

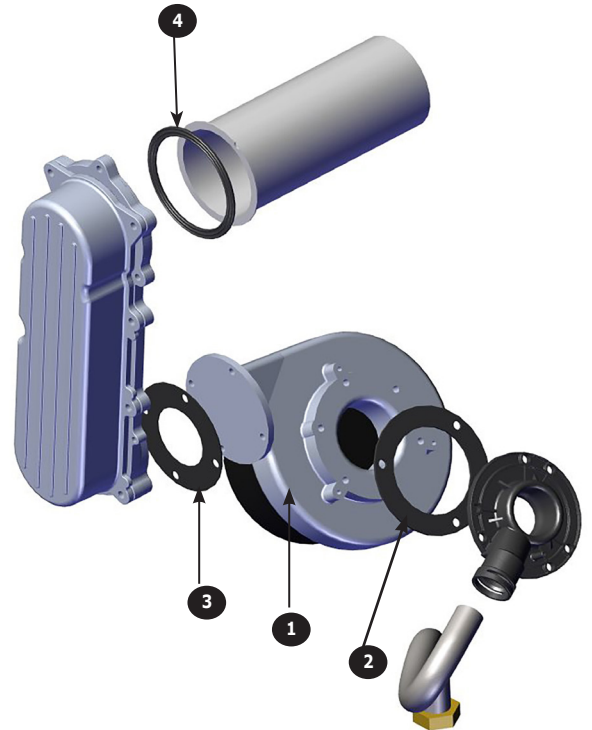
BURNER REPLACEMENT KIT



CAT NO. 20C33 - BURNER REPLACEMENT KIT 550003155 INCLUDES:

POS	PN	DESCRIPTION	QTY
1	BD77282712	BURNER	1
2	BD711408002V	GASKET, BURNER, ASSY	1
NS	240011401	INSTRUCTIONS	1

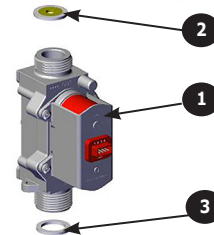
FAN, AIR MIXER, REPLACEMENT KIT



CAT NO. 20C32 - FAN REPLACEMENT KIT 550003154 INCLUDES:

POS	PN	DESCRIPTION	QTY
1	BD711073902V	FAN NRG118 115W 120V (INDUCER)	1
2	BD710042401V	VENTURI,GASKET MIXER TO FAN	1
3	BD710115601V	GASKET, MIXER TO AIR/GAS DUCT	1
NS	BD710011401V	CLIP - FIXING GAS PIPE	1
NS	BD710061402V	O-RING 18X3 NBR	2
4	BD711408002V	GASKET, BURNER	1
-	240011400	INSTRUCTIONS	1

GAS VALVE REPLACEMENT REPLACEMENT KIT

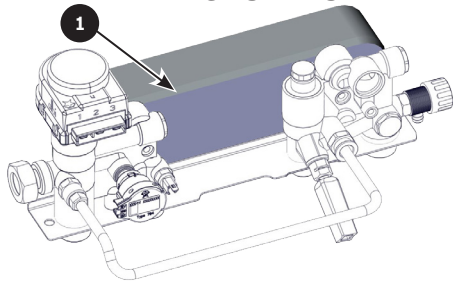


CAT NO. 20C47- GAS VALVE REPLACEMENT KIT 550003535 INCLUDES:

POS	PN	DESCRIPTION	QTY
1	BD766630601V	GAS VALVE B & P	1
2	BD710458501V	GAS NOZZLE B&P D5.8	1
3	BD710039501V	HYDRAULIC GROUP GASKET 5.8MM	1
NS	BD710090801V	SCREW M5X12 TCEI 8.8	2
NS	BD710113001V	GASKET G3/4 17X24X2	1
NS	240012264	INSTRUCTIONS	1

NS= NOT SHOWN

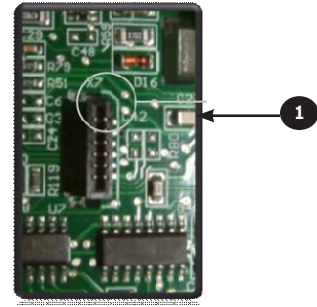
DHW PLATE REPLACEMENT KIT WITH GASKETS



CAT NO. 20C31 - DHW PLATE WITH GASKETS REPLACEMENT KIT 550003153 INCLUDES:

POS	PN	DESCRIPTION	QTY
1	BD711612501V	DHW PLATE EXCHANGER 20 PLATES	1
NS	BD722275601V	DHW PLATE EXCHANGER O-RING	4
NS	240011399	INSTRUCTIONS	1

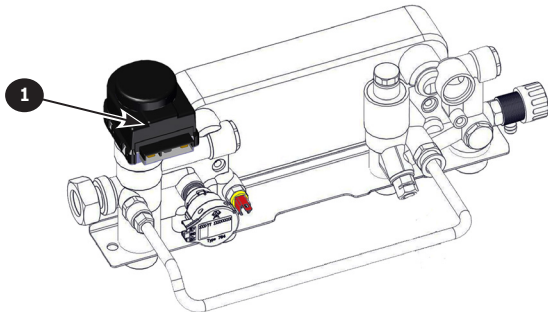
PCB /CONTROL REPLACEMENT KIT



CAT NO. 20C49 - PCB /CONTROL REPLACEMENT W/O KEY KIT 550003746 INCLUDES:

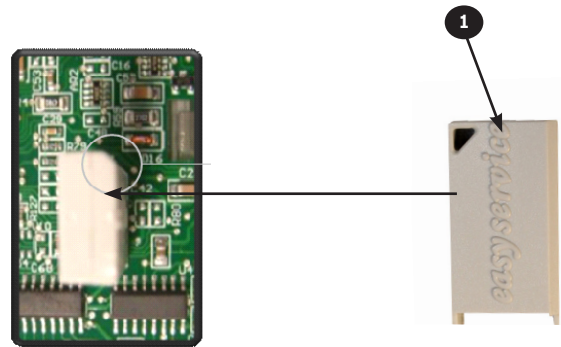
POS	PN	DESCRIPTION	QTY
1	BD7721032	PCB,B&P,HAGC03-BX04,LESS SVC KEY,0-10V	1
NS	240012706	INST,CTRL RPLMT,MAC/H,DCC/B 125-205,0-10V	1

3 WAY VALVE MOTOR REPLACEMENT - KIT



CAT NO. 20C38 - 3 WAY VALVE MOTOR REPLACEMENT KIT 550003166 INCLUDES:

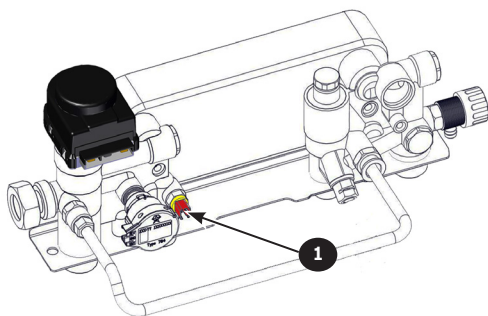
POS	PN	DESCRIPTION	QTY
1	BD000005696391	3 VALVE MOTOR 120V	1
NS	BD710188501V	FIXING CLIP-3 WAY VALVE MOTOR	1
NS	240011406	INSTRUCTIONS	1



CAT NO. 20C39- SERVICE KEY REPLACEMENT KIT 550003191 INCLUDES:

POS	PN	DESCRIPTION	QTY
1	BD710707701N	SERVICE KEY	1
NS	240012706	INST,CTRL RPLMT,MAC/H,DCC/B 125-205,0-10V	1

SENSOR REPLACEMENT - KIT



CAT NO. 20C37 - DHW TEMPERATURE SENSOR REPLACEMENT KIT 550003159 INCLUDES:

POS	PN	DESCRIPTION	QTY
1	BD710831501V	NTC SENSOR HONEYWELL-S011026	1
NS	BD710189001V	GASKET 9,7X15X2	1
NS	240011405	INSTRUCTIONS	1

NS= NOT SHOWN

FLUE GASKET CONNECTION REPLACEMENT - KIT

CAT NO. 20C51 - FLUE CONNECTION GASKET REPLACEMENT KIT 550003851 INCLUDES:		
PN	DESCRIPTION	QTY PER
BD710107601V	GASKET ADAPTER (FLUE)	1
BD710107401V	WASHER DIA 60 OUTLET BEND (FLUE ADAPTER)	1
BD710107101V	WASHER DIA 100 OUTER ADAPTER SEAL (FLUE ADAPTER)	1
BD710107801V	O-RING 8.73 X 1.78	2
BD7103005V	GASKET, RING, COVER PLATE, TWIN PIPE	1
BD710300601V	COVER PLATE, TWIN PIPE	1
240011404	INSTRUCTIONS - 240011404	1

FLUE CONNECTION REPLACEMENT - KITS

CAT NO. 20C36- FLUE CONNECTION REPLACEMENT KIT 550003158 INCLUDES:		
PN	DESCRIPTION	QTY PER
BD710107601V	GASKET ADAPTER (FLUE)	1
BD710107401V	WASHER DIA 60 OUTLET BEND (FLUE ADAPTER)	1
BD710107101V	WASHER DIA 100 OUTER ADAPTER SEAL (FLUE ADAPTER)	1
BD711085101V	FLUE ADAPTER 60/100	1
BD7718578	TEST POINT PLUG SCREW HOLE	2
BD710107801V	O-RING 8.73 X 1.78	2
BD711088501V	PRESSURE CONNECTION L4	2
240011378	LABEL TEST POINT	1
240011404	INSTRUCTIONS - 240011404	1

SEALS, CLIPS, ETC. - KIT

CAT NO. 20C28 - SEALS, CLIPS, ETC. KIT 550003150 INCLUDES:		
PN	DESCRIPTION	QTY PER
BD721623501V	BD, FIXING CLIP - HEX PIPES	2
BD710963001V	BD, O-RING 21,5X3 EP7	2
BD722275601V	BD, O-RING 18.3X3.6 R15-	4
BD710188902V	BD, FIXING CLIP	2
BD710189001V	BD, GASKET 9,7X15X2	1
BD710113601V	BD, GASKET G1/2 AFM	2
BD710113001V	BD, GASKET G3/4 17X24X2	2
BD710188501V	BD, FIXING CLIP - 3WAY VALVE MOTOR	1
BD000005411331	BD, O-RING 20,24X2,62	4
BD710188701V	BD, FIXING SPRING	1
BD710107801V	BD, O-RING 8,73X1,78	5
BD710039501V	BD, HYDRAULIC GROUP GASKET	5
BD710110901V	BD, O-RING 40,95X2,62	1
BD710011401V	BD, CLIP - FIXING GAS PIPE	1
BD710061402V	BD, O-RING 18X3 NBR	1
BD710111001V	BD, SPRING CLIP BIFM182	2
BD710151101V	BD, SPRING CLIP BIFM252	2

COMBUSTION CHAMBER CLEANING KIT

CAT NO. 20C40 - COMBUSTION CHAMBER CLEANING KIT 550003212 INCLUDES:		
PN	DESCRIPTION	QTY
240011636	GLOVE, LATEX, BLK, LRG	4
240011637	SHIELD, HTEX, CLING	1
240011639	BAG, POLY 12"X 26"	4
240011640	BRUSH, 2"X", W HANDLE 1" STIFF BRISTLES	1
BD710111502V	COMBUSTION CHAMBER GASKET	1
BD722003801V	SEAL, HTEX, DOOR, FRONT	1
BD000005212781	SEAL, FBRGLS, ROPE	1
BD710061402V	O-RING 18X3 NBR	1
240011648	INSTRUCTIONS	1

ACCESSORIES

ITEM	CAT NO.	PART NO.	DESCRIPTION	150	HOT WATER BOILER INSTALLS
*	20X33	H20I40UB	INDIRECT WATER HEATER (40 GALLON)		●
*	20X34	H20I60UB	INDIRECT WATER HEATER (60 GALLON)		●
*	20X35	Z158	MOD,ZONE,AD-1	●	●
*	20X36	Z164	CTRL,ASSY,AD-4,4 ZONE,EXP MOD	●	●
*	20X37	Z214	CTRL,ASSY,ARM-4P	●	●
*	20X38	Z216	CTRL,ASSY,ARM-6P	●	●
*	20X39	Z297	CTRL,ASSY,AZ-4CP,4 ZONE W/PRIORITY	●	●
*	20X40	Z298	CTRL,ASSY,AZ-6CP,6 ZONE W/PRIORITY	●	●
*	20X41	KUG714135813	COAXIAL VERT. TERMINATION 150	●	
*	20X43	KUG714059611	COAXIAL HORIZ. TERMINATION 150	●	
*	20X45	KUG714059511	COAXIAL PIPE (1M) 150MBH	●	
*	20X48	KUG714059711	COAXIAL ELBOW 90 150	●	
*	20X50	KUG714059811	COAXIAL ELBOW 45 150	●	
*	20X52	KHG714059113	2-PIPE POLYPROPYLENE VENT ADAPTERS 150MBH	●	
*	20X54	550003184	2-PIPE CPVC VENT ADAPTERS 150	●	
*	20X56	550003452	80 MM VENT CLAMP (5 PACK)	●	
*	20X59		NU FREEZ-KONTR'L PROPYLENE GLYCOL, 5-GAL PL	●	●
*	20X60		NU BURST-KONTR'L AP-100 PROPYLENE GLYCOL, 5 GAL PAIL		●
*	20Y20		DV POLYPRO VENT PIPE 3-INCH DIA X 1 METER		
*	20Y23		DV POLYPRO 90-DEGREE EL		
*	20Y24		DV POLYPRO 45-DEGREE EL		
*	21A27	BD710487302V	OUTDOOR TEMPERATURE SENSOR	●	
*	21G64		SPIROVENT AIR ELIMINATOR		●
*	21G66		BACK/WATERFEED		●
*	21G72		WEBSTONE VALVES		●
*	21G73		PS AT30 30EXTROL EXPANSION TANK EX30		●
*	21G74		PS AT60 60EXTROL EXPANSION TANK EX60		●
*	21G75		PS LB-0750H01LF TACO LEAKBREAKER		
*	21G76		PS HLS-2 TACO HOT LINK		



PRODUCT LITERATURE
Lennox Industries Inc.
Dallas, Texas
