

PC TO L CONNECTION CONVERTER KIT

INSTALLATION INSTRUCTIONS FOR CONVERTER KIT (96L78) USED WITH THE L CONNECTION NETWORK

Shipping and Packing List

Package 1 of 1 contains:

- 1- RS-232 to RS-485 Converter
- 1- Handset cord

The Converter Kit is used to interface between the L Connection network and an on-site PC. Connect the handset cord for temporary use or hardwire network cable to terminal block as shown in figure 1.

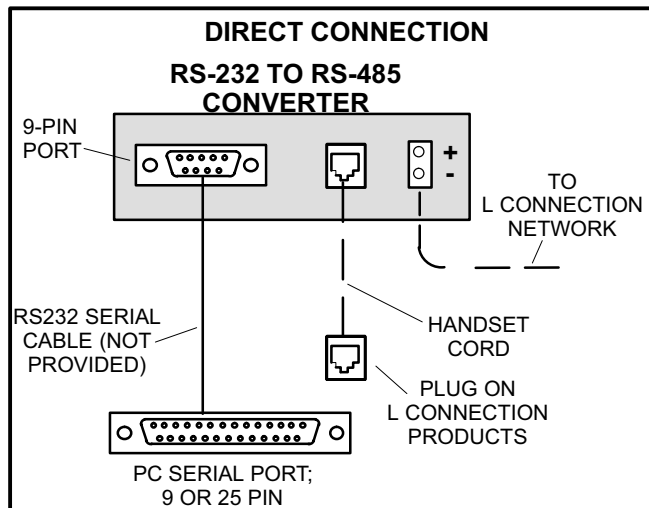


FIGURE 1

PC TO L CONNECTION CONVERTER KIT

INSTALLATION INSTRUCTIONS FOR CONVERTER KIT (96L78) USED WITH THE L CONNECTION NETWORK

Shipping and Packing List

Package 1 of 1 contains:

- 1- RS-232 to RS-485 Converter
- 1- Handset cord

The Converter Kit is used to interface between the L Connection network and an on-site PC. Connect the handset cord for temporary use or hardwire network cable to terminal block as shown in figure 1.

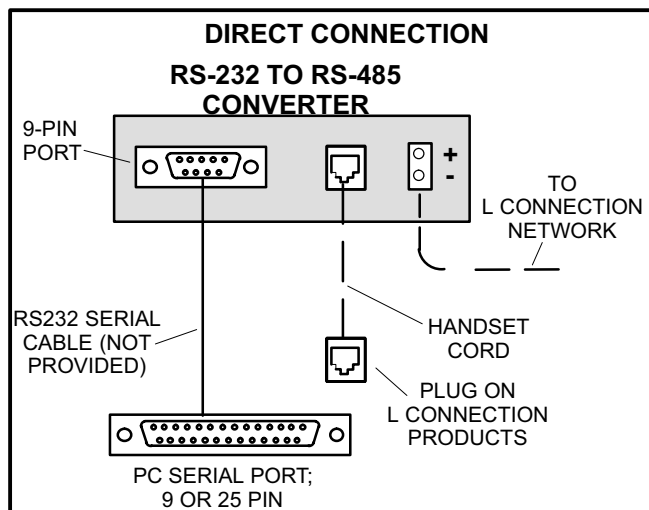


FIGURE 1