



© 2021 Lennox Industries Inc.
Dallas, Texas USA



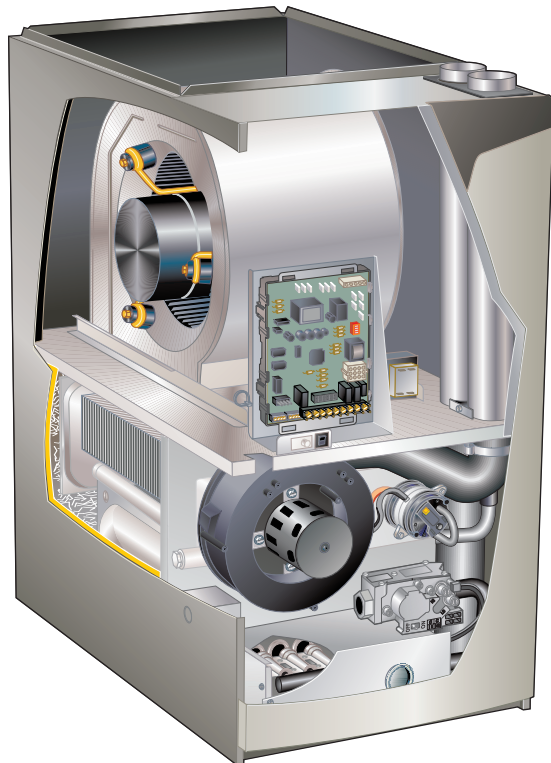
INSTALLATION INSTRUCTIONS EL296DFE

ELITE® SEREIS GAS FURNACE
DOWNFLOW AIR DISCHARGE

507069-05
10/2021
Supersedes 06/2021

**THIS MANUAL MUST BE LEFT WITH THE
HOMEOWNER FOR FUTURE REFERENCE**

! This is a safety alert symbol and should never be ignored. When you see this symbol on labels or in manuals, be alert to the potential for personal injury or death.



! WARNING

Improper installation, adjustment, alteration, service or maintenance can cause property damage, personal injury or loss of life. Installation and service must be performed by a licensed professional HVAC installer (or equivalent), service agency or the gas supplier.

! CAUTION

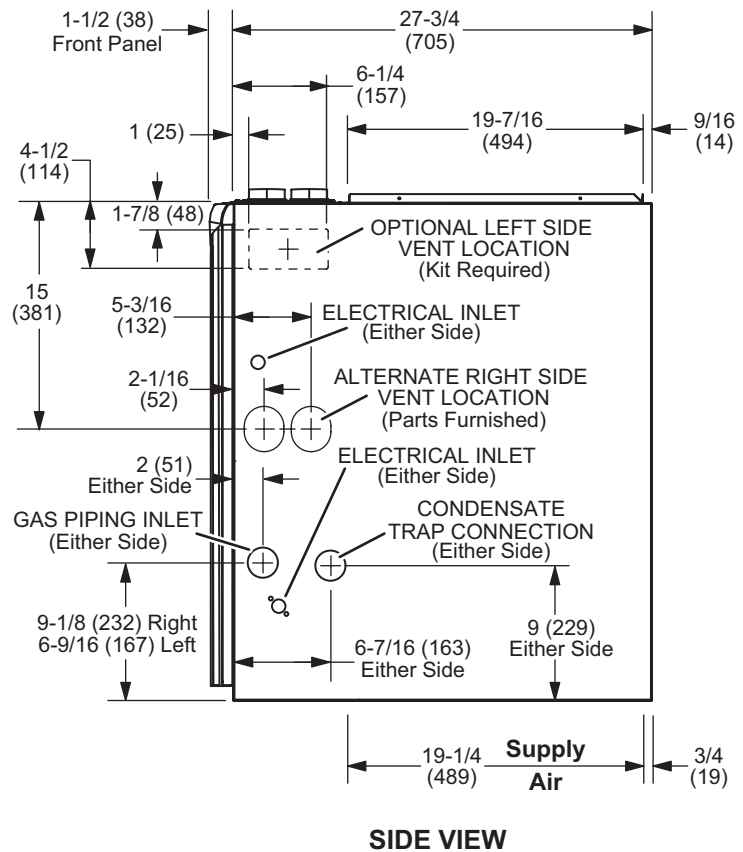
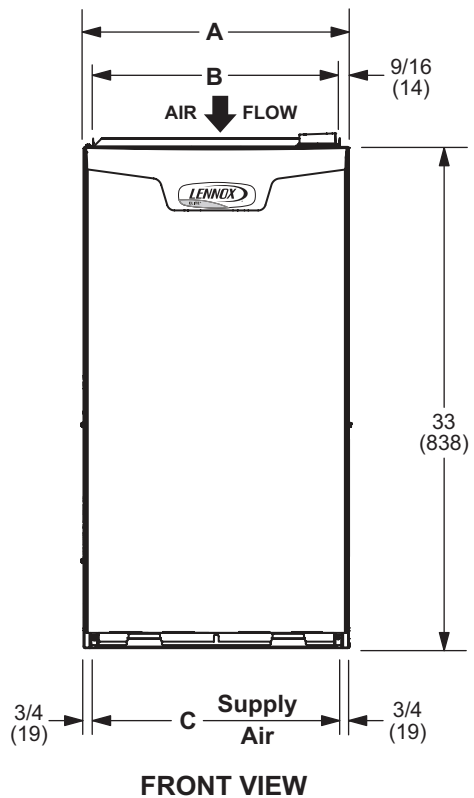
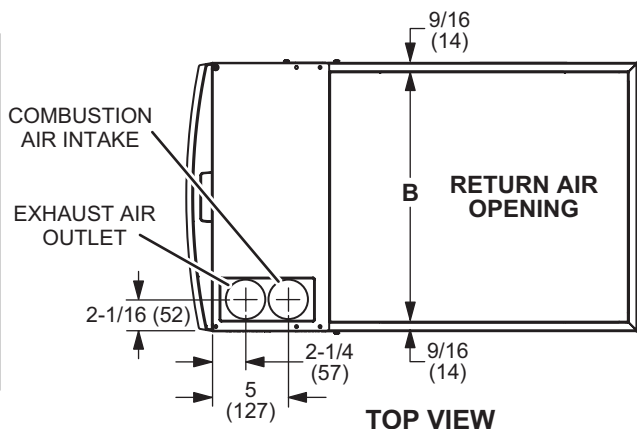
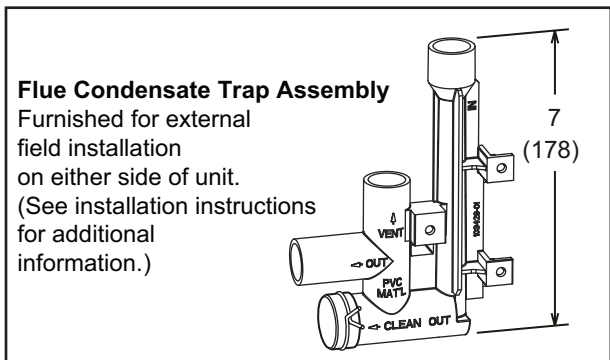
As with any mechanical equipment, contact with sharp sheet metal edges can result in personal injury. Take care while handling this equipment and wear gloves and protective clothing.

Contents

| | | | |
|--|----|---|----|
| Unit Dimensions - inches (mm) | 2 | Vent Pipe Guidelines | 18 |
| EL296DFE Gas Furnace | 3 | Gas Piping | 35 |
| Shipping and Packing List | 3 | Electrical | 37 |
| Safety | 3 | Integrated Control | 39 |
| Use of Furnace as a Construction Heater/ | 4 | Unit Start-Up | 46 |
| General | 5 | Gas Pressure Measurement | 47 |
| Combustion, Dilution, Ventilation Air | 5 | Proper Combustion | 48 |
| Setting Equipment | 8 | High Altitude | 48 |
| Filters | 12 | Other Unit Adjustments | 50 |
| Duct System | 12 | Sequence of Operation | 50 |
| Pipe Fittings Specifications | 12 | Service | 51 |
| Venting Options | 13 | Star-Up and Performance Checklist | 53 |
| Joint Cementing Procedure | 16 | Repair Parts List | 56 |
| Venting Practices | 16 | Blower Data | 57 |



Unit Dimensions - inches (mm)



| Model No. | A in. (mm) | B in. (mm) | C in. (mm) |
|------------------------------------|---------------|---------------|---------------|
| EL296DF045XE36B EL296DF070XE48B | 17-1/2 (446) | 16-3/8 (416) | 16 (406) |
| EL296DF090XE48C EL296DF110XE60C | 21 (533) | 19-7/8 (505) | 19-1/2 (495) |

EL296DFE Gas Furnace

The EL296DFE Category IV gas furnace is shipped ready for installation in the downflow position.

The furnace is equipped for installation in natural gas applications. A conversion kit (ordered separately) is required for use in propane/LP gas applications.

The EL296DFE can be installed as a Direct Vent or Non-Direct Vent gas central furnace.

NOTE - In Direct Vent installations, combustion air is taken from outdoors and flue gases are discharged outdoors. In Non-Direct Vent installations, combustion air is taken from indoors or ventilated attic or crawlspace and flue gases are discharged outdoors. See FIGURE 1 and FIGURE 2 for applications involving roof termination.

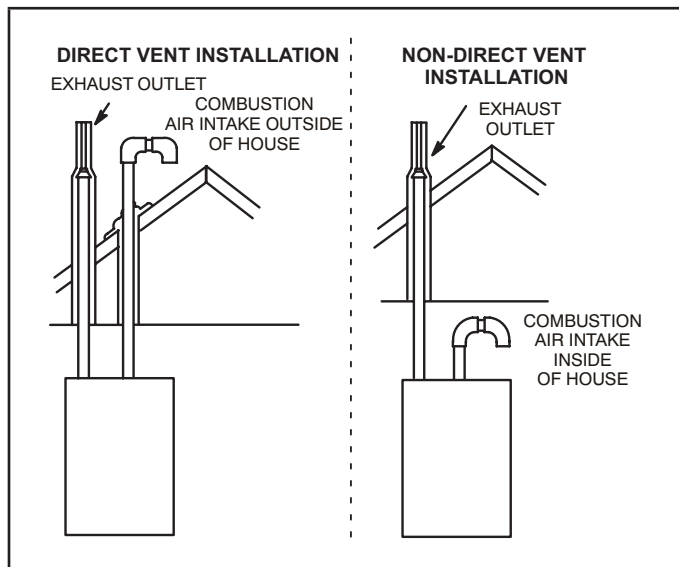


FIGURE 1

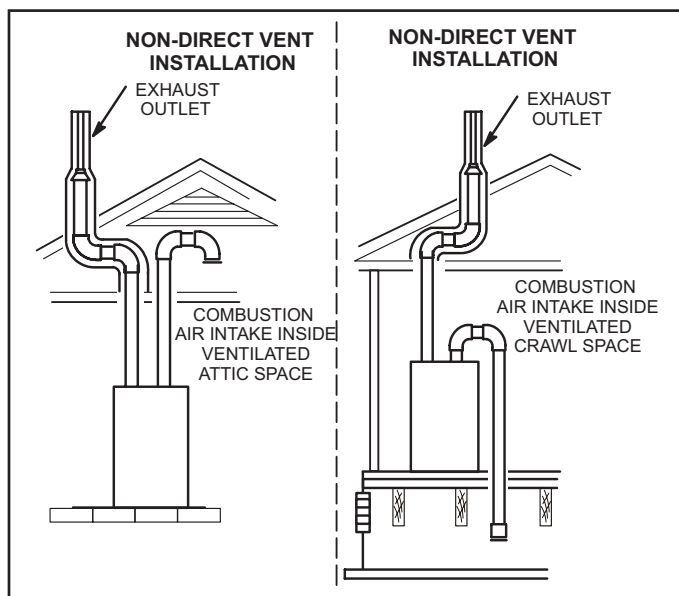


FIGURE 2

Shipping and Packing List

Package 1 of 1 contains

- 1 - Assembled EL296DFE unit
- 1 - Bag assembly containing the following:
 - 1 - Snap bushing
 - 1 - Snap plug
 - 1 - Wire tie
 - 1 - Condensate trap
 - 1 - Condensate trap cap
 - 1 - Condensate trap clamp
 - 1 - 2" diameter Air intake screen
 - 1 - 3/4" Threaded street elbow
 - 2 - 2" Street elbows
 - 2 - Side vent sealing plates
 - 2 - Side vent sealing gaskets
 - 6 - Sheet metal screws

⚠ DANGER

Danger of explosion.

There are circumstances in which odorant used with LP/propane gas can lose its scent. In case of a leak, LP/propane gas will settle close to the floor and may be difficult to smell. An LP/propane leak detector should be installed in all LP applications.

Check equipment for shipping damage. If you find any damage, immediately contact the last carrier.

The following items may also be ordered separately:

- 1 - Thermostat
- 1 - LP/Propane changeover kit
- 1 - High altitude pressure switch

Safety Information

⚠ WARNING

Improper installation, adjustment, alteration, service or maintenance can cause property damage, personal injury or loss of life. Installation and service must be performed by a licensed professional installer (or equivalent), service agency or the gas supplier.

⚠ CAUTION

As with any mechanical equipment, personal injury can result from contact with sharp sheet metal edges. Be careful when you handle this equipment.

Use only the type of gas approved for use with this furnace.

Refer to unit nameplate.

EL296DFE units are CSA International certified to ANS Z21.47 and CSA 2.3 standards.

Building Codes

In the USA, installation of gas furnaces must conform with local building codes. In the absence of local codes, units must be installed according to the current National Fuel Gas Code (ANSI-Z223.1/NFPA 54). The National Fuel Gas Code is available from the following address:

American National Standards Institute, Inc.
11 West 42nd Street
New York, NY 10036

In Canada, installation must conform with current National Standard of Canada CSA-B149 Natural Gas and Propane Installation Codes, local plumbing or waste water codes and other applicable local codes.

In order to ensure proper unit operation in non-direct vent applications, combustion and ventilation air supply must be provided according to the current National Fuel Gas Code or CSA-B149 standard.

Locations and Clearances

This furnace is CSA International certified for installation clearances to combustible material as listed on the unit nameplate and in the table in FIGURE 13. Accessibility and service clearances must take precedence over fire protection clearances.

For installation in a residential garage, the furnace must be installed so that the burner(s) and the ignition source are located no less than 18 inches (457 mm) above the floor. The furnace must be located or protected to avoid physical damage by vehicles. When a furnace is installed in a public garage, hangar, or other building that has a hazardous atmosphere, the furnace must be installed according to recommended good practice requirements and current National Fuel Gas Code or CSA B149 standards.

NOTE - Furnace must be adjusted to obtain a temperature rise within the range specified on the unit nameplate. Failure to do so may cause erratic limit operation and premature heat exchanger failure.

This EL296DFE furnace must be installed so that its electrical components are protected from water.

Installation in Combination with a Cooling Coil

When this furnace is used with cooling units (FIGURE 3), it shall be installed in parallel with, or on the upstream side of, cooling units to avoid condensation in the heating compartment. With a parallel flow arrangement, a damper (or other means to control the flow of air) must adequately prevent chilled air from entering the furnace. If the damper is manually operated, it must be equipped to prevent operation of either the heating or the cooling unit, unless it is in the full **HEAT** or **COOL** setting.

When installed, this furnace must be electrically grounded according to local codes. In addition, in the United States, installation must conform with the current National Electric Code, ANSI/NFPA No. 70. The National Electric Code (ANSI/NFPA No. 70) is available from the following address:

National Fire Protection Association
1 Battery March Park
Quincy, MA 02269

In Canada, all electrical wiring and grounding for the unit must be installed according to the current regulations of the Canadian Electrical Code Part I (CSA Standard C22.1) and/or local codes.

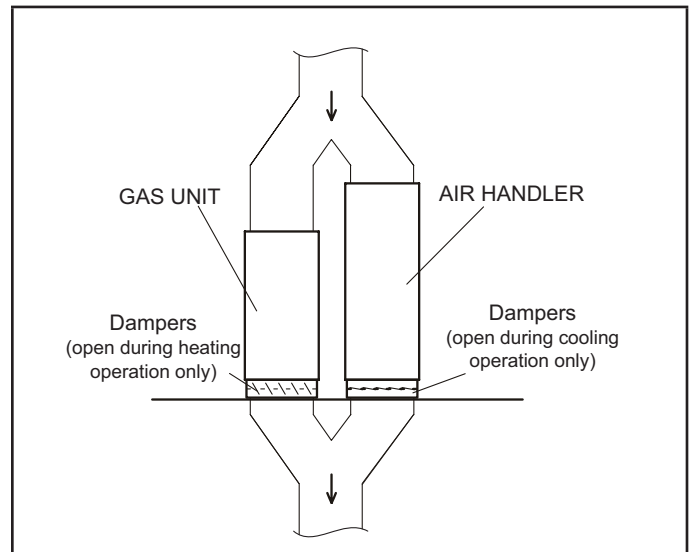


FIGURE 3

NOTE - This furnace is designed for a minimum continuous return air temperature of 60°F (16°C) or an intermittent operation down to 55°F (13°C) dry bulb for cases where a night setback thermostat is used. Return air temperature must not exceed 85°F (29°C) dry bulb.

The EL296DFE furnace may be installed in alcoves, closets, attics, basements, garages, utility rooms and crawl spaces.

This furnace design has not been CSA certified for installation in mobile homes, recreational vehicles, or outdoors.

Never use an open flame to test for gas leaks. Check all connections using a commercially available soap solution made specifically for leak detection.

Use of Furnace as Construction Heater

Units may be used for heating of buildings or structures under construction, if the following conditions are met to ensure proper operation:

DO NOT USE THE UNIT FOR CONSTRUCTION HEAT UNLESS ALL OF THE FOLLOWING CRITERIA ARE MET:

- Furnace must be in its final location. The vent system must be permanently installed per these installation instructions.
- Furnace must be installed as a two pipe system and one hundred percent (100%) outdoor air must be provided for combustion air requirements during construction.
- A room thermostat must control the furnace. The use of fixed jumpers that will provide continuous heating is prohibited.
- The input rate and temperature rise must be set per the furnace rating plate.
- Supply and Return air ducts must be provided and sealed to the furnace. Return air must be terminated outside of the space where furnace is installed.

- Return air temperature range between 60°F (16°C) and 80°F (27°C) must be maintained.
- MERV 11 or greater air filters must be installed in the system and must be regularly inspected and maintained (e.g., regular static checks and replaced at end of life) during construction.
- Blower and vestibule access panels must be in place on the furnace at all times.
- The furnace heat exchanger, components, duct system, and evaporator coils must be thoroughly cleaned following final construction clean-up.
- Air filters must be replaced upon construction completion.
- All furnace operating conditions (including ignition, input rate, temperature rise and venting) must be verified in accordance with these installation instructions.

EQUIPMENT MAY EXPERIENCE PREMATURE COMPONENT FAILURE AS A RESULT OF FAILURE TO FOLLOW THE ABOVE INSTALLATION INSTRUCTIONS. FAILURE TO FOLLOW THE ABOVE INSTALLATION INSTRUCTIONS VOIDS THE MANUFACTURER'S EQUIPMENT LIMITED WARRANTY. LENNOX DISCLAIMS ALL LIABILITY IN CONNECTION WITH INSTALLER'S FAILURE TO FOLLOW THE ABOVE INSTALLATION INSTRUCTIONS.

NOTWITHSTANDING THE FOREGOING, INSTALLER IS RESPONSIBLE FOR CONFIRMING THAT THE USE OF CONSTRUCTION HEAT IS CONSISTENT WITH THE POLICIES AND CODES OF ALL REGULATING ENTITIES. ALL SUCH POLICIES AND CODES MUST BE ADHERED TO.

General

These instructions are intended as a general guide and do not supersede local codes in any way. Consult authorities having jurisdiction before installation.

In addition to the requirements outlined previously, the following general recommendations must be considered when installing a EL296DFE furnace:

- Place the furnace as close to the center of the air distribution system as possible. The furnace should also be located close to the chimney or vent termination point.
- When the furnace is installed in non-direct vent applications, do not install the furnace where drafts might blow directly into it. This could cause improper combustion and unsafe operation.
- When the furnace is installed in non-direct vent applications, do not block the furnace combustion air opening with clothing, boxes, doors, etc. Air is needed for proper combustion and safe unit operation.
- When the furnace is installed in an attic or other insulated space, keep insulation away from the furnace.
- When the furnace is installed in an unconditioned space, consider provisions required to prevent freezing of condensate drain system.

⚠ CAUTION
EL296DFE unit should not be installed in areas normally subject to freezing temperatures.

Combustion, Dilution & Ventilation Air

If the EL296DFE is installed as a Non-Direct Vent Furnace, follow the guidelines in this section.

NOTE - In Non-Direct Vent installations, combustion air is taken from indoors or ventilated attic or crawlspace and flue gases are discharged out-doors.

⚠ WARNING

Insufficient combustion air can cause headaches, nausea, dizziness or asphyxiation. It will also cause excess water in the heat exchanger resulting in rusting and premature heat exchanger failure. Excessive exposure to contaminated combustion air will result in safety and performance related problems. Avoid exposure to the following substances in the combustion air supply:

- Permanent wave solutions
- Chlorinated waxes and cleaners
- Chlorine base swimming pool chemicals
- Water softening chemicals
- De-icing salts or chemicals
- Carbon tetrachloride
- Halogen type refrigerants
- Cleaning solvents (such as perchloroethylene)
- Printing inks, paint removers, varnishes, etc.
- Hydrochloric acid
- Cements and glues
- Antistatic fabric softeners for clothes dryers
- Masonry acid washing materials

In the past, there was no problem in bringing in sufficient outdoor air for combustion. Infiltration provided all the air that was needed. In today's homes, tight construction practices make it necessary to bring in air from outside for combustion. Take into account that exhaust fans, appliance vents, chimneys, and fireplaces force additional air that could be used for combustion out of the house.

Unless outside air is brought into the house for combustion, negative pressure (outside pressure is greater than inside pressure) will build to the point that a downdraft can occur in the furnace vent pipe or chimney. As a result, combustion gases enter the living space creating a potentially dangerous situation.

In the absence of local codes concerning air for combustion and ventilation, use the guidelines and procedures in this section to install EL296DFE furnaces to ensure efficient and safe operation. You must consider combustion air needs and requirements for exhaust vents and gas piping. A portion of this information has been reprinted with permission from the National Fuel Gas Code (ANSI Z223.1/ NFPA 54). This reprinted material is not the complete and official position of the ANSI on the referenced subject, which is represented only by the standard in its entirety.

In Canada, refer to the CSA B149 installation codes.

DANGER

Do not install the furnace in a corrosive or contaminated atmosphere. Meet all combustion and ventilation air requirements, as well as all local codes.

All gas-fired appliances require air for the combustion process. If sufficient combustion air is not available, the furnace or other appliance will operate inefficiently and unsafely. Enough air must be provided to meet the needs of all fuel-burning appliances and appliances such as exhaust fans which force air out of the house. When fireplaces, exhaust fans, or clothes dryers are used at the same time as the furnace, much more air is required to ensure proper combustion and to prevent a downdraft. Insufficient air causes incomplete combustion which can result in carbon monoxide.

In addition to providing combustion air, fresh outdoor air dilutes contaminants in the indoor air. These contaminants may include bleaches, adhesives, detergents, solvents and other contaminants which can corrode furnace components.

The requirements for providing air for combustion and ventilation depend largely on whether the furnace is installed in an unconfined or a confined space.

Unconfined Space

An unconfined space is an area such as a basement or large equipment room with a volume greater than 50 cubic feet (1.42 m³) per 1,000 Btu (.29 kW) per hour of the combined input rating of all appliances installed in that space.

This space also includes adjacent rooms which are not separated by a door. Though an area may appear to be unconfined, it might be necessary to bring in outdoor air for combustion if the structure does not provide enough air by infiltration. If the furnace is located in a building of tight construction with weather stripping and caulking around the windows and doors, follow the procedures in the air from outside section.

Confined Space

A confined space is an area with a volume less than 50 cubic feet (1.42 m³) per 1,000 Btu (.29 kW) per hour of the combined input rating of all appliances installed in that space. This definition includes furnace closets or small equipment rooms.

When the furnace is installed so that supply ducts carry air circulated by the furnace to areas outside the space containing the furnace, the return air must be handled by ducts which are sealed to the furnace casing and which terminate outside the space containing the furnace. This is especially important when the furnace is mounted on a platform in a confined space such as a closet or small equipment room.

Even a small leak around the base of the unit at the platform or at the return air duct connection can cause a potentially dangerous negative pressure condition. Air for combustion and ventilation can be brought into the confined space either from inside the building or from outside.

Air from Inside

If the confined space that houses the furnace adjoins a space categorized as unconfined, air can be brought in by providing two permanent openings between the two spaces. Each opening must have a minimum free area of 1 square inch (645 mm²) per 1,000 Btu (.29 kW) per hour of total input rating of all gas-fired equipment in the confined space. Each opening must be at least 100 square inches (64516 mm²). One opening shall be within 12 inches (305 mm) of the top of the enclosure and one opening within 12 inches (305 mm) of the bottom. See FIGURE 4.

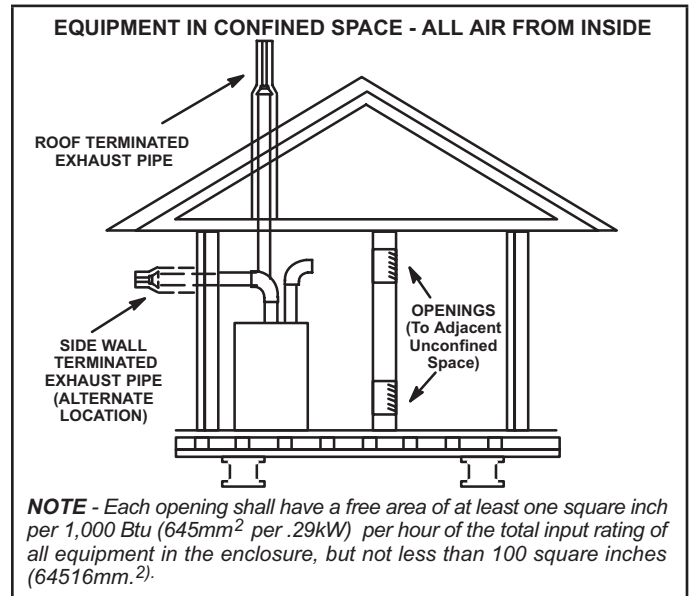


FIGURE 4

Air from Outside

If air from outside is brought in for combustion and ventilation, the confined space shall be provided with two permanent openings. One opening shall be within 12" (305mm) of the top of the enclosure and one within 12" (305mm) of the bottom. These openings must communicate directly or by ducts with the outdoors or spaces (crawl or attic) that freely communicate with the outdoors or indirectly through vertical ducts. Each opening shall have a minimum free area of 1 square inch per 4,000 Btu (645mm² per 1.17kW) per hour of total input rating of all equipment in the enclosure (FIGURE 5 and FIGURE 8). When communicating with the outdoors through horizontal ducts, each opening shall have a minimum free area of 1 square inch per 2,000 Btu (645mm² per .59kW) per total input rating of all equipment in the enclosure (FIGURE 9). It is also permissible to bring in air for combustion from a ventilated attic (FIGURE 6) or ventilated crawl space (FIGURE 7).

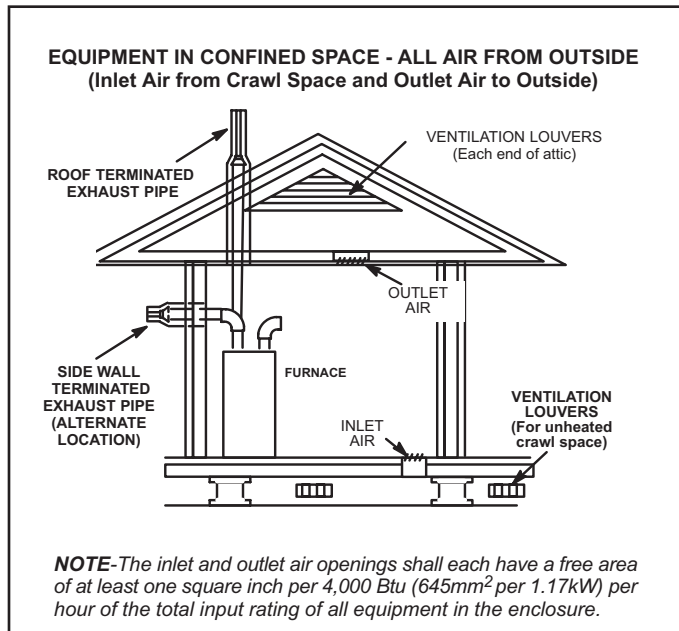


FIGURE 5

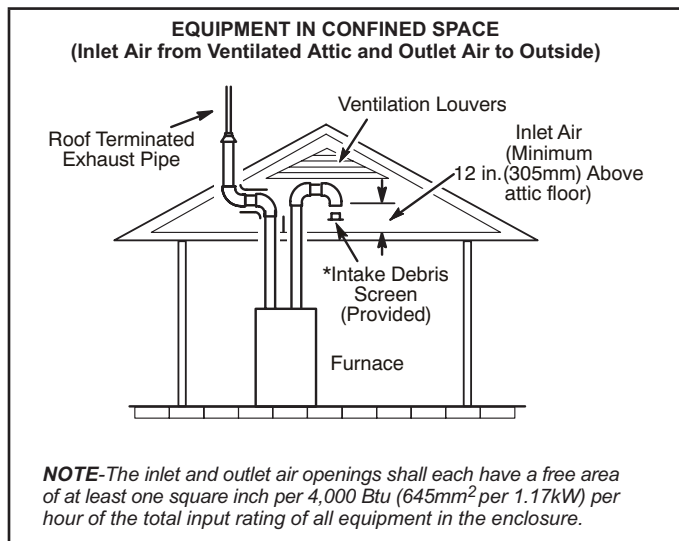


FIGURE 6

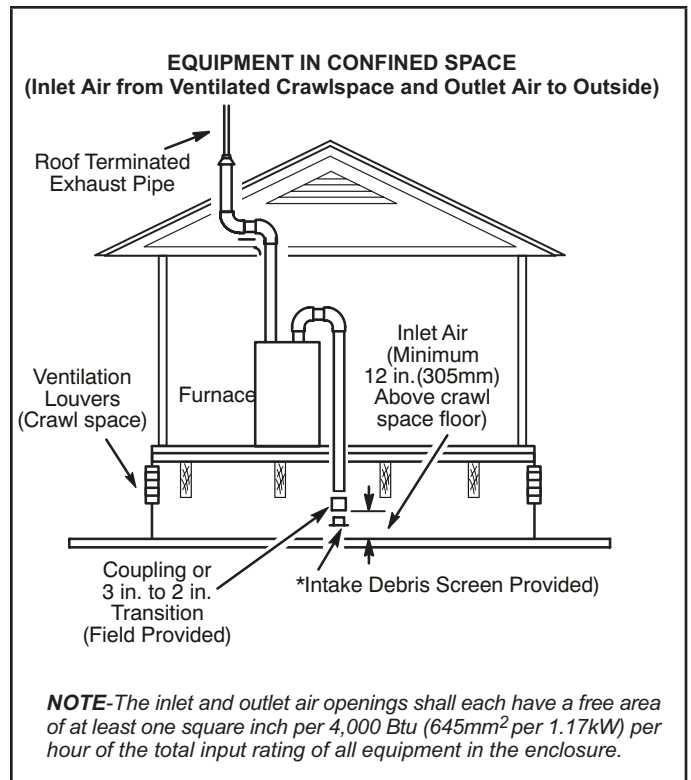


FIGURE 7

When ducts are used, they shall be of the same cross-sectional area as the free area of the openings to which they connect. The minimum dimension of rectangular air ducts shall be no less than 3 inches (75 mm). In calculating free area, the blocking effect of louvers, grilles, or screens must be considered. If the design and free area of protective covering is not known for calculating the size opening required, it may be assumed that wood louvers will have 20 to 25 percent free area and metal louvers and grilles will have 60 to 75 percent free area. Louvers and grilles must be fixed in the open position or interlocked with the equipment so that they are opened automatically during equipment operation.

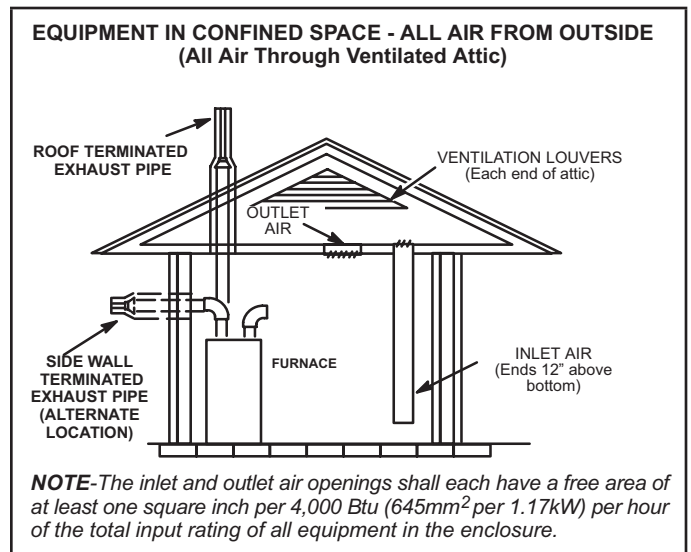


FIGURE 8

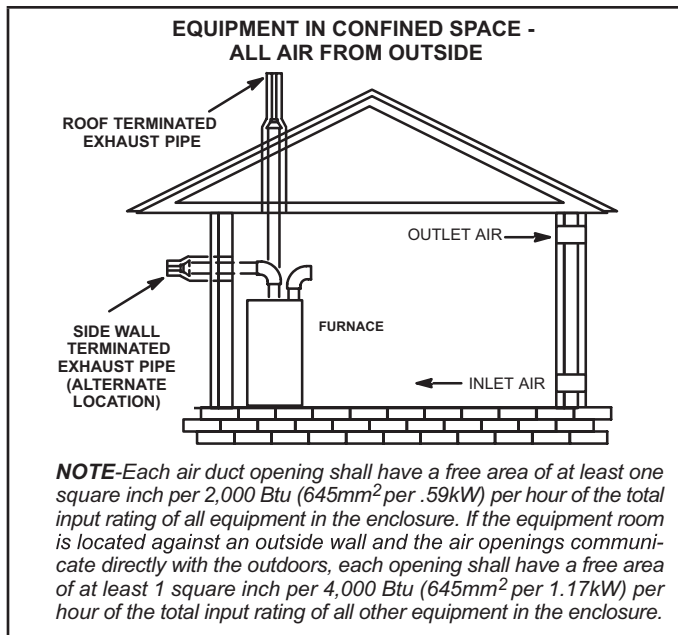


FIGURE 9

Shipping Bolt Removal

Units with 1/2 hp blower motor are equipped with three flexible legs and one rigid leg. The rigid leg is equipped with a shipping bolt and a flat white plastic washer (rather than the rubber mounting grommet used with a flexible mounting leg). See FIGURE 10. **The bolt and washer must be removed before the furnace is placed into operation.** After the bolt and washer have been removed, the rigid leg will not touch the blower housing.

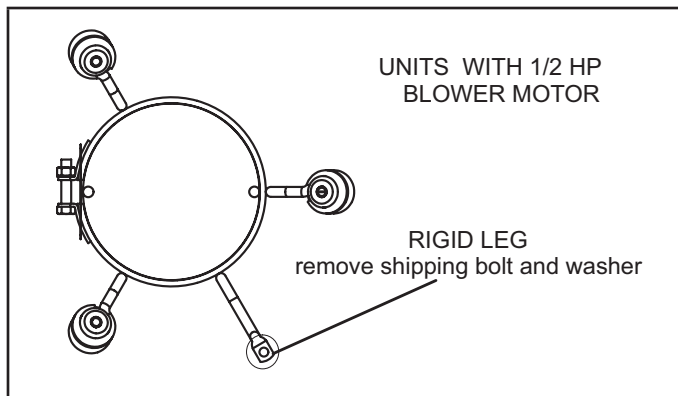


FIGURE 10

Installation - Setting Equipment

⚠ WARNING

Do not install the furnace on its front, back or in the horizontal position. See FIGURE 12. Do not connect the return air ducts to the back of the furnace. Doing so will adversely affect the operation of the safety control devices, which could result in personal injury or death.

Select a location that allows for the required clearances that are listed on the unit nameplate. Also consider gas supply connections, electrical supply, vent connection, condensate trap and drain connections, and installation and service clearances [24 inches (610 mm) at unit front]. **The unit must be level from side to side. Unit may be positioned from level to 1/2" toward the front to aid in draining.** See FIGURE 11.

Allow for clearances to combustible materials as indicated on the unit nameplate. Minimum clearances for closet or alcove installations are shown in figure 13.

⚠ WARNING

Blower access panel must be securely in place when blower and burners are operating. Gas fumes, which could contain carbon monoxide, can be drawn into living space resulting in personal injury or death.

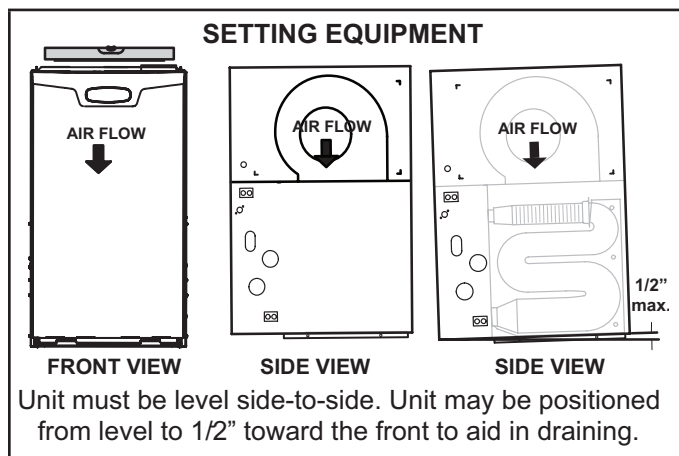


FIGURE 11

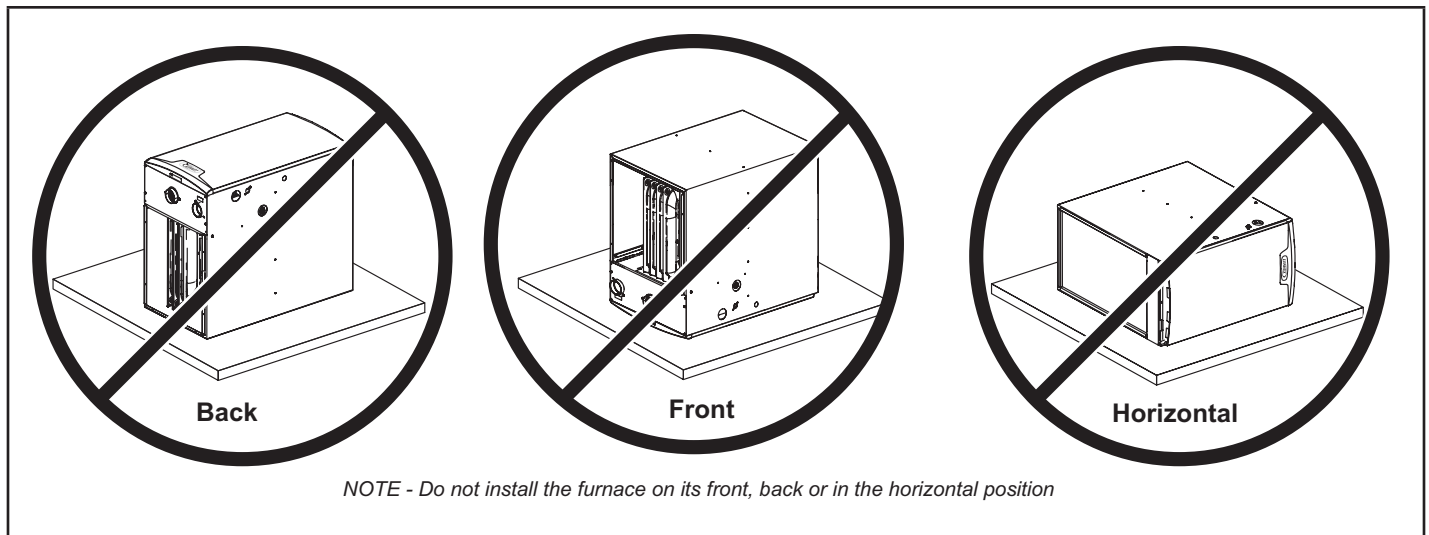


FIGURE 12

⚠ WARNING

Improper installation of the furnace can result in personal injury or death. Combustion and flue products must never be allowed to enter the return air system or air in the living space. Use sheet metal screws and joint tape to seal return air system to furnace. In platform installations with furnace return, the furnace should be sealed airtight to the return air plenum. A door must never be used as a portion of the return air duct system. The base must provide a stable support and an airtight seal to the furnace. Allow absolutely no sagging, cracks, gaps, etc. For no reason should return and supply air duct systems ever be connected to or from other heating devices such as a fireplace or stove, etc. Fire, explosion, carbon monoxide poisoning, personal injury and/or property damage could result.

The unit may be installed three ways in downflow applications: on non-combustible flooring, on combustible flooring using an additive base, or on a reverse-flow cooling coil cabinet. **Do not drag the unit across the floor in the downflow position. Floor and furnace flange damage will result.** Refer to FIGURE 13 for clearances in downflow applications.

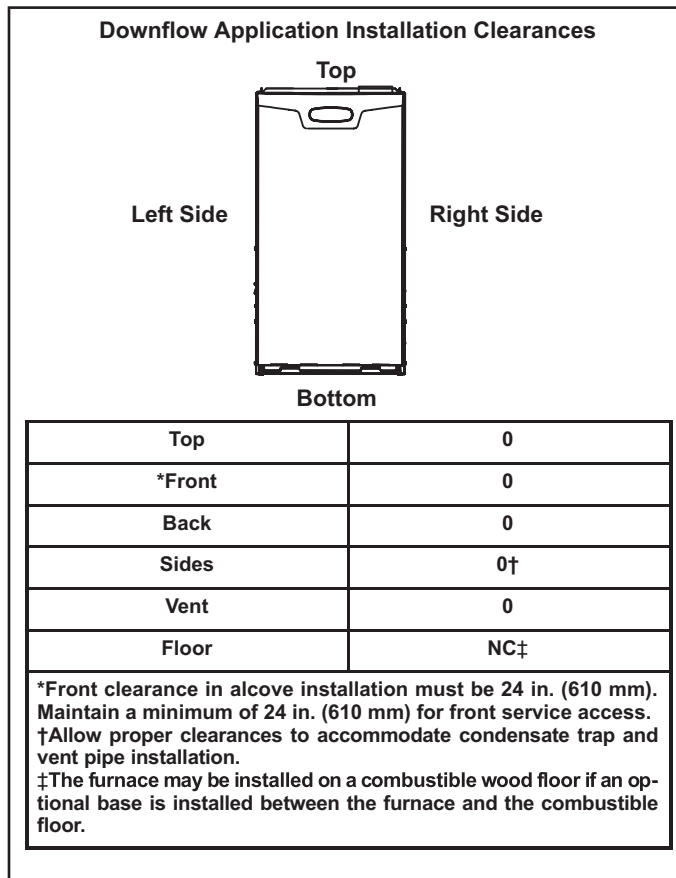


FIGURE 13

Installation on Non-Combustible Flooring FIGURE 14

- 1 - Cut floor opening keeping in mind clearances listed on unit rating plate. Also keep in mind gas supply connections, electrical supply, flue and air intake connections and sufficient installation and servicing clearances. See TABLE 1 for correct floor opening size.
- 2 - Flange warm air plenum and lower the plenum into the opening.
- 3 - Set the unit over the plenum and seal the plenum to the unit.
- 4 - Ensure that the seal is adequate.

TABLE 1

NON-COMBUSTIBLE FLOOR OPENING SIZE

| Cabinet Width | Front to Rear | | Side to Side | |
|---------------|---------------|-----|--------------|-----|
| | in. | mm | in. | mm |
| B (17.5") | 19-3/4 | 502 | 16-5/8 | 422 |
| C (21") | 19-3/4 | 502 | 20-1/8 | 511 |

NOTE - Floor opening dimensions listed are 1/4 inch (6 mm) larger than the unit opening. See dimension drawing on page 2.

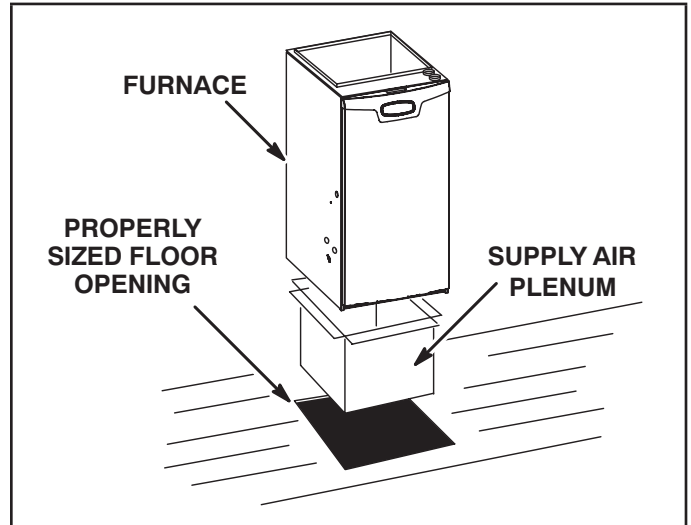


FIGURE 14

Installation on Combustible Flooring FIGURE 15

- 1 - When unit is installed on a combustible floor, a downflow combustible flooring base must be installed between the furnace and the floor. The base must be ordered separately. See TABLE 2 for opening size to cut in floor.

⚠ CAUTION

The furnace and combustible flooring base shall not be installed directly on carpeting, tile, or other combustible material other than wood flooring.

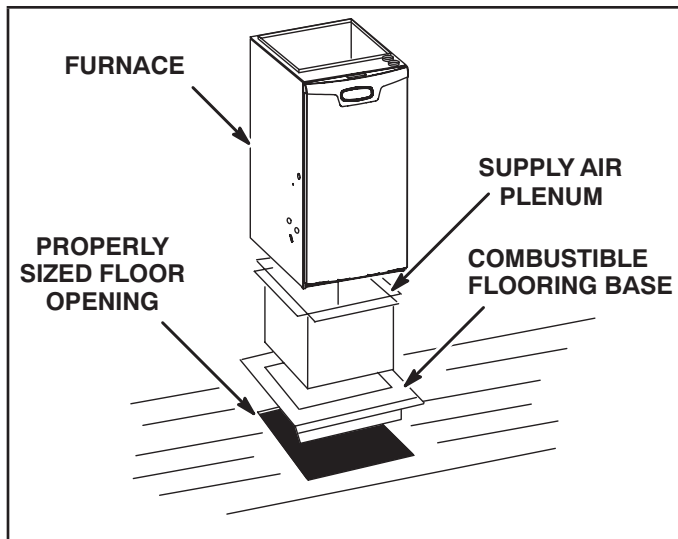


FIGURE 15

TABLE 2

COMBUSTIBLE FLOORING BASE OPENING SIZE

| Cabinet Width | Catalog Number | Front to Rear | | Side to Side | |
|---------------|----------------|---------------|-----|--------------|-----|
| | | in | mm | in | mm |
| B (17.5") | 11M60 | 22 | 559 | 18-3/4 | 476 |
| C (21") | 11M61 | 22 | 559 | 22-3/4 | 578 |

- 2 - After opening is cut, set the combustable flooring base into opening.
 - 3 - Check fiberglass strips on the combustable flooring base to make sure they are properly glued and positioned.
 - 4 - Lower supply air plenum into the combustable flooring base until plenum flanges seal against fiberglass strips.
- NOTE** - Be careful not to damage fiberglass strips. Check for a tight seal.
- 5 - Set the furnace over the plenum.
 - 6 - Ensure that the seal between the furnace and plenum is adequate.

Installation on Cooling Coil Cabinet FIGURE 16

NOTE - Downflow combustable flooring kit is not used.

- 1 - Refer to reverse-flow coil installation instructions for correctly sized opening in floor and installation of cabinet.
- 2 - When cooling cabinet is in place, set and secure the furnace according to the instructions that are provided with the cooling coil. Secure the furnace to the cabinet.
- 3 - Seal the cabinet and check for air leaks.

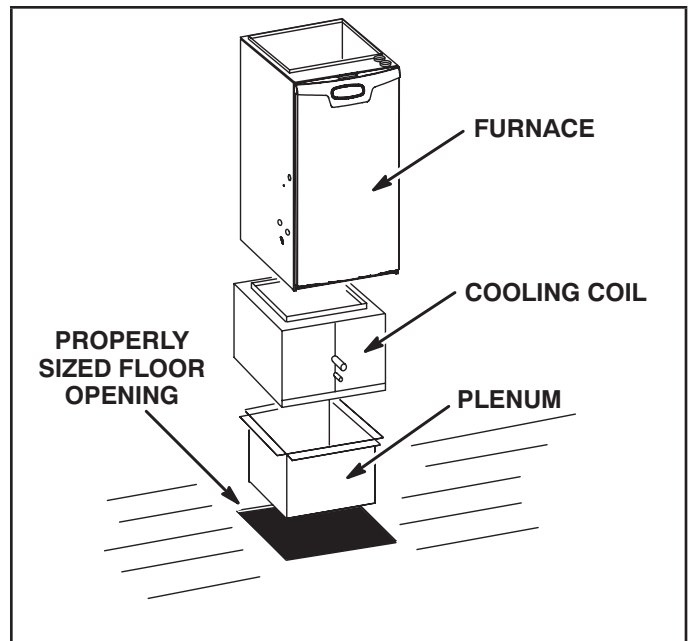


FIGURE 16

Return Air Opening -- Downflow Units

Return air may be brought in only through the top opening of a furnace installed in the downflow position. The following steps should be taken when installing plenum:

- 1 - Bottom edge of plenum should be flanged with a hemmed edge (See FIGURE 17 or FIGURE 18).
- 2 - Sealing strips should be used to ensure an airtight seal between the cabinet and the plenum.
- 3 - In all cases, plenum should be secured to top of furnace using sheet metal screws.
- 4 - Make certain that an adequate seal is made.

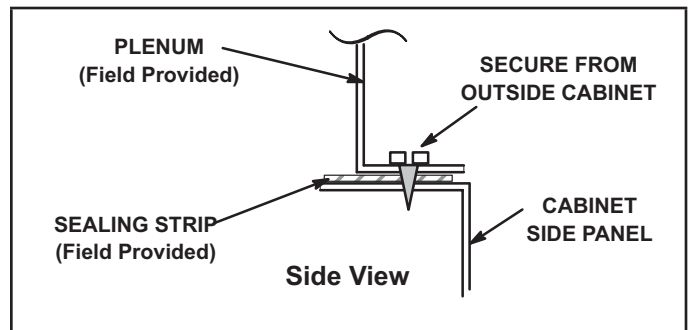


FIGURE 17

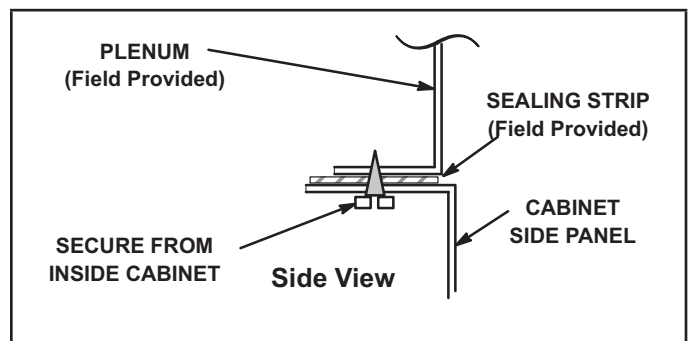


FIGURE 18

Filters

This unit is not equipped with a filter or rack. A field-provided filter is required for the unit to operate properly. TABLE 3 lists recommended minimum filter size.

A filter must be in place whenever the unit is operating.

⚠ IMPORTANT

If a high-efficiency filter is being installed as part of this system to ensure better indoor air quality, the filter must be properly sized. High-efficiency filters have a higher static pressure drop than standard-efficiency glass/foam filters. If the pressure drop is too great, system capacity and performance may be reduced. The pressure drop may also cause the limit to trip more frequently during the winter and the indoor coil to freeze in the summer, resulting in an increase in the number of service calls.

Before using any filter with this system, check the specifications provided by the filter manufacturer against the data given in the appropriate Lennox Product Specifications bulletin. Additional information is provided in Service and Application Note ACC002 (August 2000).

TABLE 3

| Furnace Cabinet Width | Minimum Filter Size |
|-----------------------|---------------------|
| 17-1/2" | 16 x 25 x 1 (1) |
| 21" | |

Duct System

Use industry-approved standards to size and install the supply and return air duct system. Refer to ACCA Manual D. This will result in a quiet and low-static system that has uniform air distribution. See FIGURE 19 for duct installation.

NOTE - This furnace is not certified for operation in heating mode (indoor blower operating at selected heating speed) with an external static pressure which exceeds 0.8 inches w.c. Operation at these conditions may result in improper limit operation.

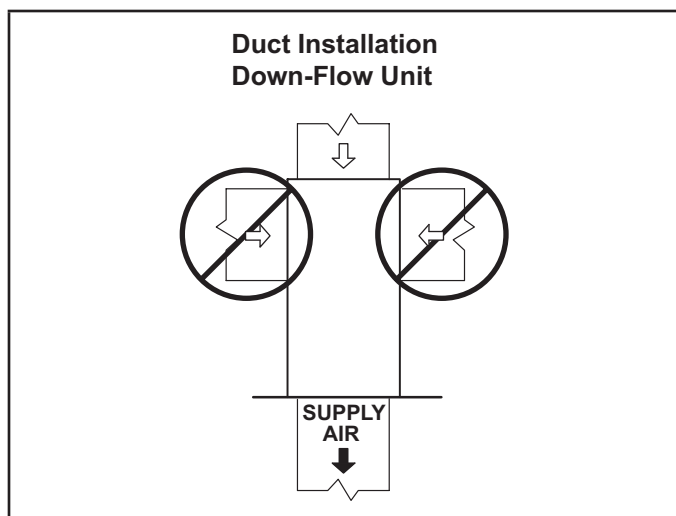


FIGURE 19

Supply Air Plenum

If the furnace is installed without a cooling coil, a removable access panel should be installed in the supply air duct. The access panel should be large enough to permit inspection of the heat exchanger. The furnace access panel must always be in place when the furnace is operating and it must not allow leaks into the supply air duct system.

Return Air Plenum

NOTE - Return air must not be drawn from a room where this furnace, or any other gas-fueled appliance (i.e., water heater), or carbon monoxide-producing device (i.e., wood fireplace) is installed.

When return air is drawn from a room, a negative pressure is created in the room. If a gas appliance is operating in a room with negative pressure, the flue products can be pulled back down the vent pipe and into the room. This reverse flow of the flue gas may result in incomplete combustion and the formation of carbon monoxide gas. This raw gas or toxic fumes might then be distributed throughout the house by the furnace duct system.

Use fiberglass sealing strips, caulking, or equivalent sealing method between the plenum and the furnace cabinet to ensure a tight seal. If a filter is installed, size the return air duct to fit the filter frame.

Pipe & Fittings Specifications

All pipe, fittings, primer and solvent cement must conform with American National Standard Institute and the American Society for Testing and Materials (ANSI/ASTM) standards. The solvent shall be free flowing and contain no lumps, undissolved particles or any foreign matter that adversely affects the joint strength or chemical resistance of the cement. The cement shall show no gelation, stratification, or separation that cannot be removed by stirring. Refer to the table 4 below for approved piping and fitting materials.

⚠ CAUTION

Solvent cements for plastic pipe are flammable liquids and should be kept away from all sources of ignition. Do not use excessive amounts of solvent cement when making joints. Good ventilation should be maintained to reduce fire hazard and to minimize breathing of solvent vapors. Avoid contact of cement with skin and eyes.

**TABLE 4
PIPING AND FITTINGS SPECIFICATIONS**

| | |
|--|---------------------------|
| Schedule 40 PVC (Pipe) | D1785 |
| Schedule 40 PVC (Cellular Core Pipe) | F891 |
| Schedule 40 PVC (Fittings) | D2466 |
| Schedule 40 CPVC (Pipe) | F441 |
| Schedule 40 CPVC (Fittings) | F438 |
| SDR-21 PVC or SDR-26 PVC (Pipe) | D2241 |
| SDR-21 CPVC or SDR-26 CPVC (Pipe) | F442 |
| Schedule 40 ABS Cellular Core DWV (Pipe) | F628 |
| Schedule 40 ABS (Pipe) | D1527 |
| Schedule 40 ABS (Fittings) | D2468 |
| ABS-DWV (Drain Waste & Vent) (Pipe & Fittings) | D2661 |
| PVC-DWV (Drain Waste & Vent) Pipe & Fittings) | D2665 |
| PRIMER & SOLVENT CEMENT | ASTM SPECIFICATION |
| PVC & CPVC Primer | F656 |
| PVC Solvent Cement | D2564 |
| CPVC Solvent Cement | F493 |
| ABS Solvent Cement | D2235 |
| PVC/CPVC/ABS All Purpose Cement For Fittings & Pipe of the same material | D2564, D2235, F493 |
| ABS to PVC or CPVC Transition Solvent Cement | D3188 |
| CANADA PIPE & FITTING & SOLVENT CEMENT | MARKING |
| PVC & CPVC Pipe and Fittings | ULCS636 |
| PVC & CPVC Solvent Cement | |
| ABS to PVC or CPVC Transition Cement | |
| POLYPROPYLENE VENTING SYSTEM | |
| PolyPro® by Duravent | |
| InnoFlue® by Centrotherm | |
| UL 1738 CERTIFIED GAS VENTING SYSTEM | |
| IPEX System1738 Schedule 40 PVC Pipes and Fittings | UL1738 |
| IPEX System1738 PVC FGV Cement & Primer | |

IMPORTANT

EL296DFE exhaust and intake connections are made of PVC. Use PVC primer and solvent cement when using PVC vent pipe. When using ABS vent pipe, use transitional solvent cement to make connections to the PVC fittings in the unit.

Use PVC primer and solvent cement or ABS solvent cement meeting ASTM specifications, refer to TABLE 4. As an alternate, use all purpose cement, to bond ABS, PVC, or CPVC pipe when using fittings and pipe made of the same materials. Use transition solvent cement when bonding ABS to either PVC or CPVC. Low temperature solvent cement is recommended during cooler weather. Metal or plastic strapping may be used for vent pipe hangers. Uniformly apply a liberal coat of PVC primer for PVC or use a clean dry cloth for ABS to clean inside socket surface of fitting and male end of pipe to depth of fitting socket

Canadian Applications Only - Pipe, fittings, primer and solvent cement used to vent (exhaust) this appliance must be certified to ULC S636 and supplied by a single manufacturer as part of an approved vent (exhaust) system. In addition, the first three feet of vent pipe from the furnace flue collar must be accessible for inspection.

Venting Options

The EL296DFE is shipped with vent exhaust / air intake connection at the top cap. See FIGURE 20. Using parts provided, the furnace may be field modified to have these connections on the right side of the furnace cabinet. See FIGURE 23 and follow the steps below. For left side venting order kit 87W73.

- 1 - Remove inner blower door.
- 2 - Loosen hose clamps which attach rubber fittings to the white PVC pipes inside the vestibule area. See FIGURE 20.
- 3 - Loosen the clamp which secures the pipes at the blower deck. See figure 20.
- 4 - Remove white PVC pipes, slide up and out thru the top cap.
- 5 - Remove the black plastic fitting in top cap which previously aligned the PVC pipes.
- 6 - Remove the remaining parts of the pipe clamp at the blower deck.
- 7 - Remove the sheet metal patch plate on the side of the cabinet which covers the openings for side venting option. Save screws for reuse.
- 8 - Re-use the patch plate to cover the hole in the top cap. See FIGURE 21. Remove the 2 screws which secure the top cap to the furnace on the right side and re-install securing the right edge of the patch plate and the right side of the top cap to the furnace. Use 2 self-drilling sheet metal screws (provided) to finish securing the left edge of the patch plate on the left side.
- 9 - Use a utility knife to cut out the cabinet insulation for the right side vent / air intake. 10 - Install the two 90° street elbows (provided) through the side of the cabinet. The male side of each elbow should extend down through the blower deck and connect to the rubber fittings below. Once the elbows are properly positioned, tighten each clamp.

- 10 - Install the two 90° street elbows (provided) through the side of the cabinet. The male side of each elbow should extend down through the blower deck and connect to the rubber fittings below. Once the elbows are properly positioned, tighten each clamp.
- 11 - Peel protective backing from side vent sealing gaskets (2) and apply to side vent sealing plates (2) as shown in FIGURE 23.
- 12 - Install the side vent sealing plates and gaskets on the exterior of the cabinet as shown in FIGURE 23. Secure with six mounting screws (four reused and two provided from bag assembly). Holes are pre-punched in the parts and cabinet, no drilling is required.
- 13 - Install sheet metal screws (provided) to seal extra two holes in cabinet not used with side vent clamps.

⚠ IMPORTANT

Side vent sealing plates and side vent sealing gaskets must be used when converting to right side venting. Failure to use gaskets and plates may lead to improper operation of unit.

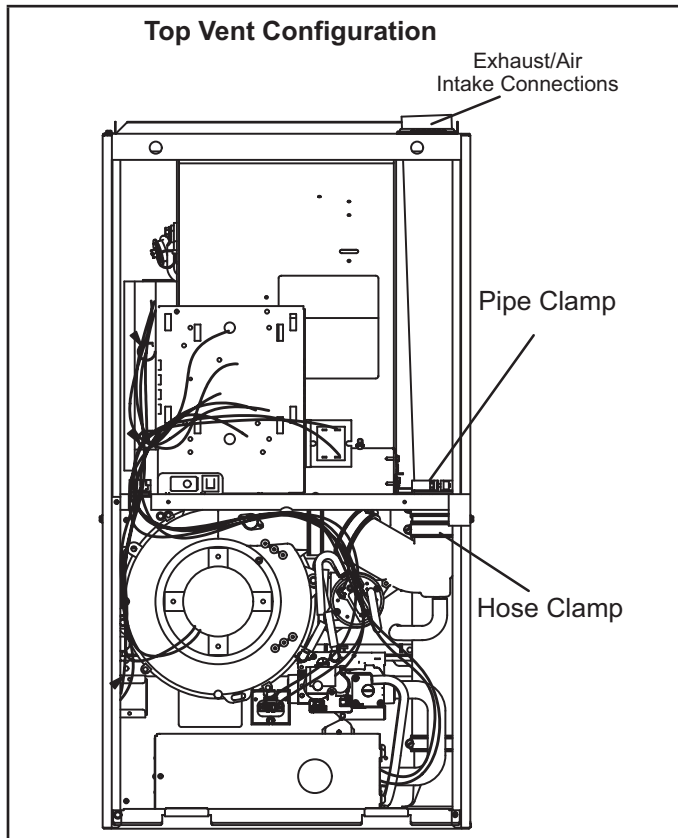


FIGURE 20

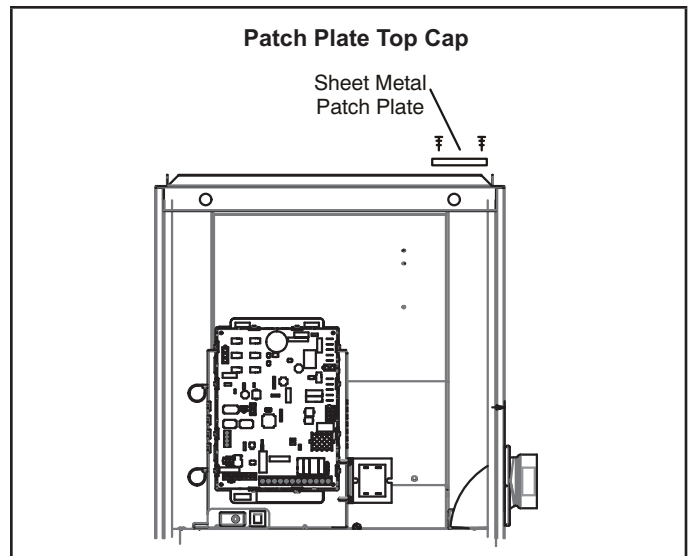


FIGURE 21

Crawl Space and Extended Horizontal Venting

Lennox provides kit 51W18 (USA) and kit 15Z70 (Canada) to install 2" or 3" PVC exhaust piping through the floor joists and into the the crawl space. See FIGURE 22.

This kit can also be used as a supplemental drain for installations with condensate run back in the vent pipe (ie. long horizontal runs, unconditioned spaces, etc.).

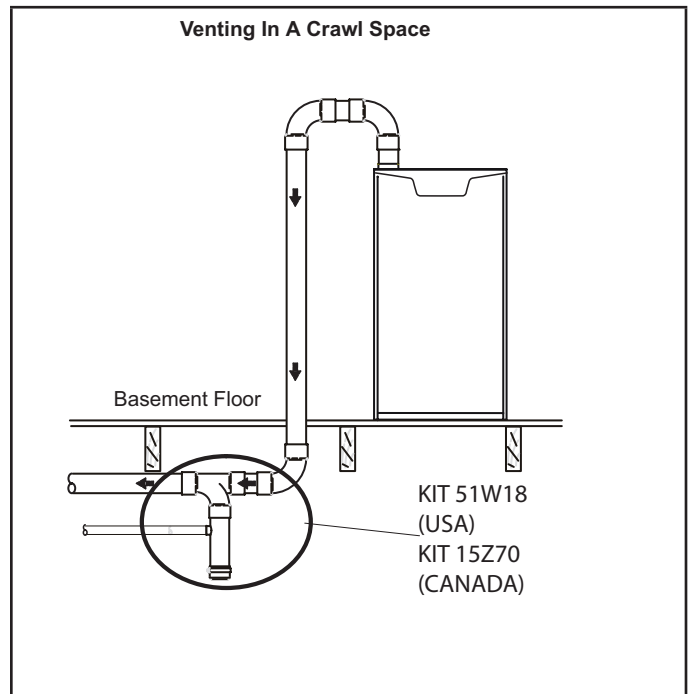


FIGURE 22

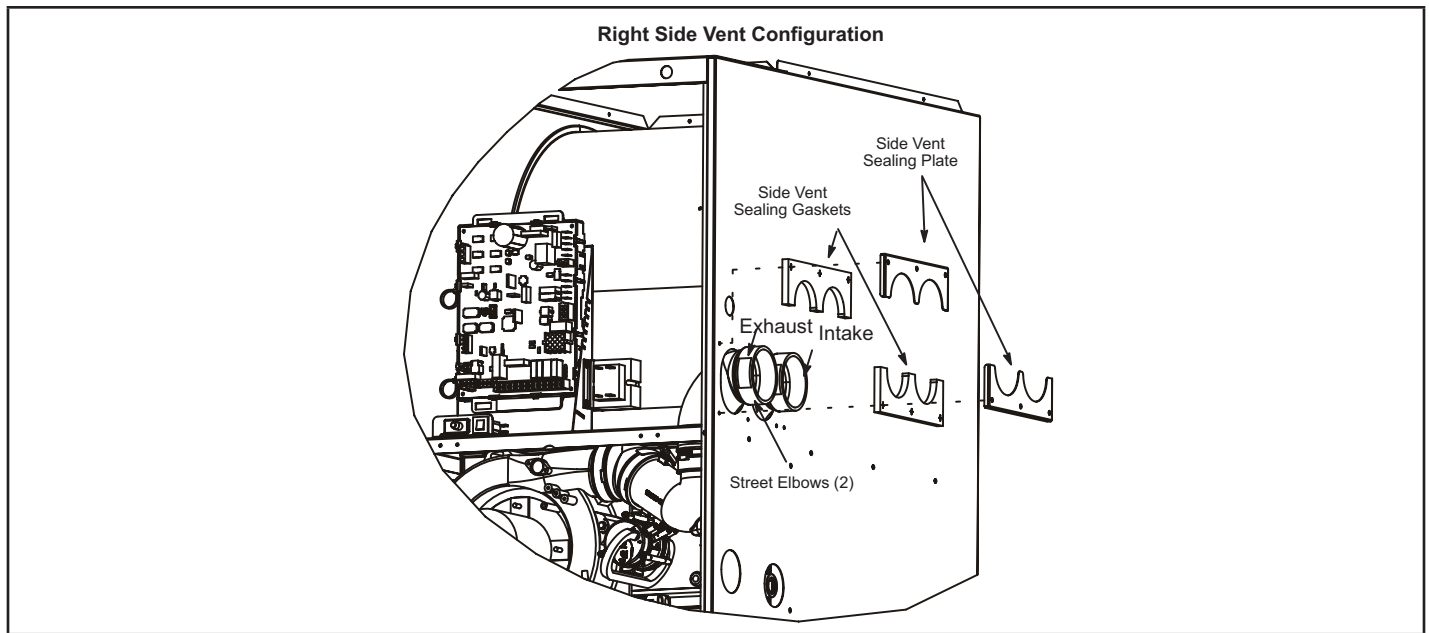


FIGURE 23

TABLE 5
OUTDOOR TERMINATION USAGE*

| Input Size | Vent Pipe Dia. in. | STANDARD | | | | CONCENTRIC | | |
|------------|--------------------|------------------|----------|------------------|------------------|--------------------------|--------------------------|--------------------------|
| | | Flush Mount Kit | Wall Kit | | Field Fabricated | 1-1/2 inch | 2 inch | 3 inch |
| | | | 2 inch | 3 inch | | 71M80 (US) 44W92 (CA) | 69M29 (US) 44W92 (CA) | 60L46 (US) 44W93 (CA) |
| 045 | ⁶ 1-1/2 | ³ YES | YES | ¹ YES | ⁵ YES | ² YES | | |
| | 2 | ³ YES | YES | ¹ YES | ⁵ YES | ² YES | | |
| | 2-1/2 | ³ YES | YES | ¹ YES | ⁵ YES | ² YES | | |
| | 3 | ³ YES | YES | ¹ YES | ⁵ YES | ² YES | | |
| 070 | ⁶ 1-1/2 | ³ YES | YES | ¹ YES | ⁵ YES | ² YES | N/A | N/A |
| | 2 | ³ YES | YES | ¹ YES | ⁵ YES | ² YES | | |
| | 2-1/2 | ³ YES | YES | ¹ YES | ⁵ YES | ² YES | | |
| | 3 | ³ YES | YES | ¹ YES | ⁵ YES | ² YES | | |
| 090 | 2 | ³ YES | N/A | YES | ⁵ YES | N/A | YES | YES |
| | 2-1/2 | ³ YES | | YES | ⁵ YES | | YES | YES |
| | 3 | ³ YES | | YES | ⁵ YES | | YES | YES |
| 110 | 2 | YES | | YES | ⁵ YES | | YES | YES |
| | 2-1/2 | YES | YES | ⁵ YES | YES | | YES | |
| | 3 | YES | YES | ⁵ YES | YES | | YES | |

NOTE - Standard Terminations do not include any vent pipe or elbows external to the structure. Any vent pipe or elbows external to the structure must be included in total vent length calculations. See vent length tables.

* Kits must be properly installed according to kit instructions.

¹Requires field-provided outdoor 1-1/2" exhaust accelerator.

²Concentric kits 71M80 and 44W92 include 1-1/2" outdoor accelerator, when used with 045 and 070 input models. 1-1/2 in. pipe must be transitioned to 2 in. when used with a concentric kit,

³ Flush mount kit 51W11 and 51W12 includes 1-1/2 in. outdoor exhaust accelerator, required when used with 045, 070 and 090 input models. 1-1/2 in. pipe must be transitioned to 2 in. pipe when used with the flushmount kit.

⁴ Termination kits 30G28, 44W92, 4493 and 81J20 are certified to ULC S636 for use in Canada only.

⁵ See table 10 for vent accelerator requirements.

⁶ 2 in to 1-1/2 in reducer required must be field provided.

Joint Cementing Procedure

All cementing of joints should be done according to the specifications outlined in ASTM D 2855.

NOTE - A sheet metal screw may be used to secure the intake pipe to the connector, if desired. Use a drill or self tapping screw to make a pilot hole.

⚠ DANGER

DANGER OF EXPLOSION!

Fumes from PVC glue may ignite during system check. Allow fumes to dissipate for at least 5 minutes before placing unit into operation.

- 1 - Measure and cut vent pipe to desired length.
- 2 - Deburr and chamfer end of pipe, removing any ridges or rough edges. If end is not chamfered, edge of pipe may remove cement from fitting socket and result in a leaking joint.

NOTE - Check the inside of vent pipe thoroughly for any obstruction that may alter furnace operation.

- 3 - Clean and dry surfaces to be joined.
- 4 - Test fit joint and mark depth of fitting on outside of pipe.
- 5 - Uniformly apply a liberal coat of PVC primer for PVC or use a clean dry cloth for ABS to clean inside socket surface of fitting and male end of pipe to depth of fitting socket.
- 6 - Promptly apply solvent cement to end of pipe and inside socket surface of fitting. Cement should be applied lightly but uniformly to inside of socket. Take care to keep excess cement out of socket. Apply second coat to end of pipe.

NOTE - Time is critical at this stage. Do not allow primer to dry before applying cement.

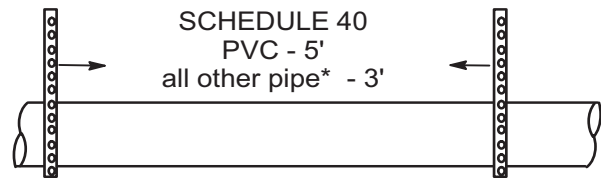
- 7 - Immediately after applying last coat of cement to pipe, and while both inside socket surface and end of pipe are wet with cement, forcefully insert end of pipe into socket until it bottoms out. Turn PVC pipe 1/4 turn during assembly (but not after pipe is fully inserted) to distribute cement evenly. DO NOT turn ABS or cellular core pipe.

NOTE - Assembly should be completed within 20 seconds after last application of cement. Hammer blows should not be used when inserting pipe.

- 8 - After assembly, wipe excess cement from pipe at end of fitting socket. A properly made joint will show a bead around its entire perimeter. Any gaps may indicate an improper assembly due to insufficient solvent.
- 9 - Handle joints carefully until completely set.

Venting Practices

Piping Suspension Guidelines



* See Piping and Fittings Specifications table

NOTE - Isolate piping at the point where it exits the outside wall or roof in order to prevent transmission of vibration to the structure.

Wall Thickness Guidelines

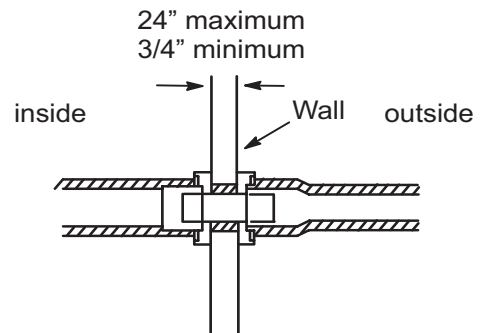
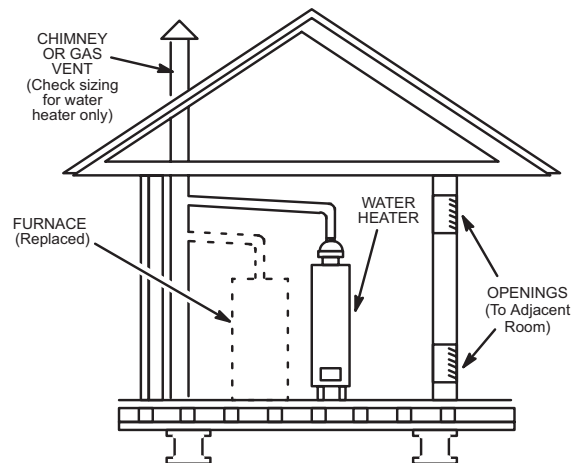


FIGURE 24

REPLACING FURNACE THAT WAS PART OF A COMMON VENT SYSTEM



If replacing a furnace which was commonly vented with another gas appliance, the size of the existing vent pipe for that gas appliance must be checked. Without the heat of the original furnace flue products, the existing vent pipe is probably oversized for the single water heater or other appliance. The vent should be checked for proper draw with the remaining appliance.

FIGURE 25

- 1 - In areas where piping penetrates joists or interior walls, hole must be large enough to allow clearance on all sides of pipe through center of hole using a hanger.

- 2 - When furnace is installed in a residence where unit is shut down for an extended period of time, such as a vacation home, make provisions for draining condensate collection trap and lines.

Removal of the Furnace from Common Vent

In the event that an existing furnace is removed from a venting system commonly run with separate gas appliances, the venting system is likely to be too large to properly vent the remaining attached appliances. Conduct the following test while each appliance is operating and the other appliances (which are not operating) remain connected to the common venting system. If the venting system has been installed improperly, you must correct the system as indicated in the general venting requirements section.

WARNING

CARBON MONOXIDE POISONING HAZARD

Failure to follow the steps outlined below for each appliance connected to the venting system being placed into operation could result in carbon monoxide poisoning or death.

The following steps shall be followed for each appliance connected to the venting system being placed into operation, while all other appliances connected to the venting system are not in operation:

- 1 - Seal any unused openings in the common venting system.
- 2 - Inspect the venting system for proper size and horizontal pitch. Determine that there is no blockage, restriction, leakage, corrosion, or other deficiencies which could cause an unsafe condition.
- 3 - Close all building doors and windows and all doors between the space in which the appliances remaining connected to the common venting system are located and other spaces of the building. Turn on clothes dryers and any appliances not connected to the common venting system. Turn on any exhaust fans, such as range hoods and bathroom exhausts, so they will operate at maximum speed. Do not operate a summer exhaust fan. Close fireplace dampers.

- 4 - Follow the lighting instructions. Turn on the appliance that is being inspected. Adjust the thermostat so that the appliance operates continuously.
- 5 - After the main burner has operated for 5 minutes, test for leaks of flue gases at the draft hood relief opening. Use the flame of a match or candle.
- 6 - After determining that each appliance connected to the common venting system is venting properly, (step 3) return all doors, windows, exhaust fans, fireplace dampers, and any other gas-burning appliances to their previous mode of operation.
- 7 - If a venting problem is found during any of the preceding tests, the common venting system must be modified to correct the problem.

Resize the common venting system to the minimum vent pipe size determined by using the appropriate tables in Appendix G. (These are in the current standards of the National Fuel Gas Code ANSI Z223.1.

Exhaust Piping (FIGURE 27 and FIGURE 29)

Route piping to outside of structure. Continue with installation following instructions given in piping termination section.

WARNING

Carbon Monoxide Poisoning Hazard

Cutting or altering exhaust or air intake pipes, which are located in the blower compartment, could result in Carbon Monoxide Poisoning or Death.

CAUTION

Do not discharge exhaust into an existing stack or stack that also serves another gas appliance. If vertical discharge through an existing unused stack is required, insert PVC pipe inside the stack until the end is even with the top or outlet end of the metal stack.

CAUTION

The exhaust vent pipe operates under positive pressure and must be completely sealed to prevent leakage of combustion products into the living space.

Vent Piping Guidelines

NOTE - Lennox has approved the use of DuraVent® and Centrotherm manufactured vent pipe and terminations as an option to PVC. When using the PolyPro® by DuraVent or InnoFlue® by Centrotherm venting system the vent pipe requirements stated in the unit installation instruction – minimum & maximum vent lengths, termination clearances, etc. – apply and must be followed. Follow the instructions provided with PolyPro by DuraVent and InnoFlue by Centrotherm venting system for assembly or if requirements are more restrictive. The PolyPro by DuraVent and InnoFlue by Centrotherm venting system must also follow the uninsulated and unconditioned space criteria listed in table 8.

The EL296DFE can be installed as either a Non-Direct Vent or a Direct Vent gas central furnace.

NOTE - In Non-Direct Vent installations, combustion air is taken from indoors or ventilated attic or crawlspace and flue gases are discharged outdoors. In Direct Vent installations, combustion air is taken from outdoors and flue gases are discharged outdoors.

Intake and exhaust pipe sizing -- Size pipe according to TABLE 6 and TABLE 7. Count all elbows inside and outside the home. TABLE 6 lists the minimum vent pipe lengths permitted. TABLE 7 lists the maximum pipe lengths permitted.

TABLE 6
MINIMUM VENT PIPE LENGTHS

| EL296DFE MODEL | MIN. VENT LENGTH* |
|--------------------|--|
| 045, 070, 090, 110 | 15 ft or 5ft plus 2 elbows or 10 ft plus 1 elbow |

*Any approved termination may be added to the minimum length listed. Two 45 degree elbows are equivalent to one 90 degree elbow.

Regardless of the diameter of pipe used, the standard roof and wall terminations described in section Exhaust Piping Terminations should be used. Exhaust vent termination pipe is sized to optimize the velocity of the exhaust gas as it exits the termination. Refer to TABLE 10.

In some applications which permit the use of several different sizes of vent pipe, a combination vent pipe may be used. Contact Lennox' Application Department for assistance in sizing vent pipe in these applications.

⚠ IMPORTANT

Do not use screens or perforated metal in exhaust or intake terminations. Doing so will cause freeze-ups and may block the terminations.

NOTE - It is acceptable to use any pipe size which fits within the guidelines allowed in TABLE 7.

NOTE - All horizontal runs of exhaust pipe must slope back toward unit. A minimum of 1/4" (6mm) drop for each 12" (305mm) of horizontal run is mandatory for drainage.

NOTE - Exhaust pipe **MUST** be glued to furnace exhaust fittings.

NOTE - Exhaust piping should be checked carefully to make sure there are no sags or low spots.

NOTE - If right side venting option is used, you must include the elbow at the furnace in the elbow count. If transitioning to 3" dia pipe, this elbow equates to 20' of equivalent vent length for all models.

Use the following steps to correctly size vent pipe diameter.

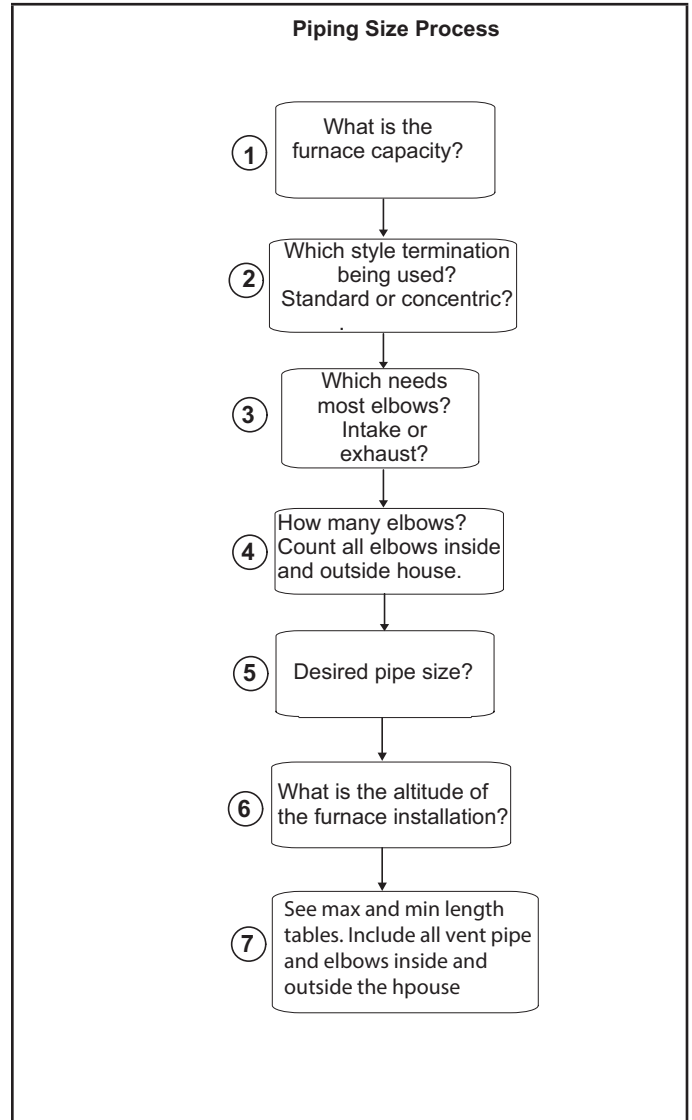


FIGURE 26

NOTE - Lennox offers a glueless vent adapter kit 17H92 as an option for exhaust exiting at the furnace top cap coupling.

TABLE 7

Maximum Allowable Intake or Exhaust Vent Length

Size intake and exhaust pipe length separately. Values in table are for Intake OR Exhaust, not combined total. Intake and Exhaust must be same size.
 NOTE - Additional vent pipe and elbows used to terminate the vent pipe outside the structure must be included in the total vent length calculation.

| Standard Termination at Elevation 0 - 4500 ft | | | | | | | | | | | | | | | | |
|--|--------------------|------------|------------|------------|----------------|------------|------------|------------|--------------------|------------|------------|------------|----------------|------------|------------|------------|
| Number Of 90° Elbows Used | 1-1/2" Pipe | | | | 2" Pipe | | | | 2-1/2" Pipe | | | | 3" Pipe | | | |
| | Model | | | | Model | | | | Model | | | | Model | | | |
| | 045 | 070 | 090 | 110 | 045 | 070 | 090 | 110 | 045 | 070 | 090 | 110 | 045 | 070 | 090 | 110 |
| 1 | 20 | 15 | n/a | n/a | 71 | 56 | 34 | 14 | 105 | 105 | 83 | 48 | 128 | 127 | 108 | 108 |
| 2 | 15 | 10 | | | 66 | 51 | 29 | 9 | 100 | 100 | 78 | 43 | 123 | 122 | 103 | 103 |
| 3 | 10 | n/a | | | 61 | 46 | 24 | 4 | 95 | 95 | 73 | 38 | 118 | 117 | 98 | 98 |
| 4 | n/a | | | | 56 | 41 | 19 | n/a | 90 | 90 | 68 | 33 | 113 | 112 | 93 | 93 |
| 5 | | | | | 51 | 36 | 14 | | 85 | 85 | 63 | 28 | 108 | 107 | 88 | 88 |
| 6 | | | | | 46 | 31 | 9 | | 80 | 80 | 58 | 23 | 101 | 102 | 83 | 83 |
| 7 | | | | | 41 | 26 | 4 | | 75 | 75 | 53 | 18 | 98 | 97 | 78 | 78 |
| 8 | | | | | 36 | 21 | n/a | | 70 | 70 | 48 | 13 | 93 | 92 | 73 | 73 |
| 9 | | | | | 31 | 16 | | | 65 | 65 | 43 | 8 | 88 | 87 | 68 | 68 |
| 10 | | | | | 26 | 11 | | | 60 | 60 | 38 | 3 | 83 | 82 | 63 | 63 |
| Standard Termination Elevation 4501 - 10,000 ft | | | | | | | | | | | | | | | | |
| Number Of 90° Elbows Used | 1-1/2" Pipe | | | | 2" Pipe | | | | 2-1/2" Pipe | | | | 3" Pipe | | | |
| | Model | | | | Model | | | | Model | | | | Model | | | |
| | 045 | 070 | 090 | 110 | 045 | 070 | 090 | 110 | 045 | 070 | 090 | 110 | 045 | 070 | 090 | 110 |
| 1 | 20 | 15 | n/a | n/a | 71 | 56 | 34 | n/a | 105 | 105 | 83 | 48 | 128 | 127 | 108 | 108 |
| 2 | 15 | 10 | | | 66 | 51 | 29 | | 100 | 100 | 78 | 43 | 123 | 122 | 103 | 103 |
| 3 | 10 | n/a | | | 61 | 46 | 24 | | 95 | 95 | 73 | 38 | 118 | 117 | 98 | 98 |
| 4 | n/a | | | | 56 | 41 | 19 | | 90 | 90 | 68 | 33 | 113 | 112 | 93 | 93 |
| 5 | | | | | 51 | 36 | 14 | | 85 | 85 | 63 | 28 | 108 | 107 | 88 | 88 |
| 6 | | | | | 46 | 31 | 9 | | 80 | 80 | 58 | 23 | 103 | 102 | 83 | 83 |
| 7 | | | | | 41 | 26 | 4 | | 75 | 75 | 53 | 18 | 98 | 97 | 78 | 78 |
| 8 | | | | | 36 | 21 | n/a | | 70 | 70 | 48 | 13 | 93 | 92 | 73 | 73 |
| 9 | | | | | 31 | 16 | | | 65 | 65 | 43 | 8 | 87 | 87 | 68 | 68 |
| 10 | | | | | 26 | 11 | | | 60 | 60 | 38 | 5 | 83 | 82 | 63 | 63 |

TABLE 7 Continued

Maximum Allowable Intake or Exhaust Vent Length

Size intake and exhaust pipe length separately. Values in table are for Intake OR Exhaust, not combined total. Intake and Exhaust must be same size.
NOTE - Additional vent pipe and elbows used to terminate the vent pipe outside the structure must be included in the total vent length calculation.

| Concentric Termination at Elevation 0 - 4500 ft | | | | | | | | | | | | | | | | | | | |
|---|-------------|-----|-----|-----|---------|-----|-----|-----|-------------|-----|-----|-----|---------|-----|-----|-----|-----|----|----|
| Number Of 90° Elbows Used | 1-1/2" Pipe | | | | 2" Pipe | | | | 2-1/2" Pipe | | | | 3" Pipe | | | | | | |
| | Model | | | | Model | | | | Model | | | | Model | | | | | | |
| | 045 | 070 | 090 | 110 | 045 | 070 | 090 | 110 | 045 | 070 | 090 | 110 | 045 | 070 | 090 | 110 | | | |
| 1 | 15 | 10 | n/a | n/a | 63 | 48 | 32 | 12 | 95 | 95 | 79 | 44 | 111 | 111 | 104 | 104 | | | |
| 2 | 10 | n/a | | | n/a | 58 | 43 | 27 | 7 | 90 | 90 | 74 | 39 | 106 | 106 | 99 | 99 | | |
| 3 | n/a | | | | | n/a | n/a | 53 | 38 | 22 | 2 | 85 | 85 | 69 | 34 | 101 | 101 | 94 | 94 |
| 4 | | | | | | | | 48 | 33 | 17 | n/a | 80 | 80 | 64 | 29 | 96 | 96 | 89 | 89 |
| 5 | | | | | | | | 43 | 28 | 12 | | 75 | 75 | 59 | 24 | 91 | 91 | 84 | 84 |
| 6 | | | | | | | | 38 | 23 | 7 | | 70 | 70 | 54 | 19 | 86 | 86 | 79 | 79 |
| 7 | | | | | | | | 33 | 18 | 2 | | 65 | 65 | 49 | 14 | 81 | 81 | 74 | 74 |
| 8 | | | | | | | | 28 | 13 | n/a | | 60 | 60 | 44 | 9 | 76 | 76 | 69 | 69 |
| 9 | | | | | | | | 23 | 8 | | | 55 | 55 | 39 | 4 | 71 | 71 | 64 | 64 |
| 10 | | | | | | | | 18 | 3 | | | 50 | 50 | 34 | n/a | 66 | 66 | 59 | 59 |
| | | | | | | | | | | | | | | | | | | | |
| Concentric Termination Elevation 4501 - 10,000 ft | | | | | | | | | | | | | | | | | | | |
| Number Of 90° Elbows Used | 1-1/2" Pipe | | | | 2" Pipe | | | | 2-1/2" Pipe | | | | 3" Pipe | | | | | | |
| | Model | | | | Model | | | | Model | | | | Model | | | | | | |
| | 045 | 070 | 090 | 110 | 045 | 070 | 090 | 110 | 045 | 070 | 090 | 110 | 045 | 070 | 090 | 110 | | | |
| 1 | 15 | 10 | n/a | n/a | 63 | 48 | 32 | n/a | 95 | 95 | 79 | 44 | 111 | 111 | 104 | 94 | | | |
| 2 | 10 | n/a | | | n/a | 58 | 43 | | 27 | 90 | 90 | 74 | 39 | 106 | 106 | 99 | 99 | | |
| 3 | n/a | | | | | n/a | n/a | | 53 | 38 | 22 | 85 | 85 | 69 | 34 | 101 | 101 | 94 | 94 |
| 4 | | | | | | | | | 48 | 33 | 17 | 80 | 80 | 64 | 29 | 96 | 96 | 89 | 89 |
| 5 | | | | | | | | | 43 | 28 | 12 | 75 | 75 | 59 | 24 | 91 | 91 | 84 | 84 |
| 6 | | | | | | | | | 38 | 23 | 7 | 70 | 70 | 54 | 19 | 86 | 86 | 79 | 79 |
| 7 | | | | | | | | | 33 | 18 | 2 | 65 | 65 | 49 | 14 | 81 | 81 | 74 | 74 |
| 8 | | | | | | | | | 28 | 13 | n/a | 60 | 60 | 44 | 9 | 76 | 76 | 69 | 69 |
| 9 | | | | | | | | | 23 | 8 | | 55 | 55 | 39 | 4 | 71 | 71 | 64 | 64 |
| 10 | | | | | | | | | 18 | 3 | | 50 | 50 | 34 | n/a | 66 | 66 | 59 | 59 |
| | | | | | | | | | | | | | | | | | | | |

TABLE 8

Maximum Allowable Exhaust Vent Length Using Ventilated Attic or Crawl Space For Intake Air in Feet

NOTE - Additional vent pipe and elbows used to terminate the vent pipe outside the structure must be included in the total vent length calculation.

| Standard Termination at Elevation 0 - 10,000 ft | | | | | | | | | | | | | | | | | | | |
|---|-------------|-----|-----|-----|---------|-----|-----|-----|-------------|-----|-----|-----|---------|-----|-----|-----|----|----|----|
| Number Of 90° Elbows Used | 1-1/2" Pipe | | | | 2" Pipe | | | | 2-1/2" Pipe | | | | 3" Pipe | | | | | | |
| | Model | | | | Model | | | | Model | | | | Model | | | | | | |
| | 045 | 070 | 090 | 110 | 045 | 070 | 090 | 110 | 045 | 070 | 090 | 110 | 045 | 070 | 090 | 110 | | | |
| 1 | 15 | 10 | n/a | n/a | 61 | 46 | 24 | n/a | 90 | 90 | 68 | 33 | 108 | 107 | 88 | 88 | | | |
| 2 | 10 | n/a | | | n/a | 56 | 41 | | 19 | 85 | 85 | 63 | 28 | 103 | 102 | 83 | 83 | | |
| 3 | n/a | | | | | n/a | n/a | | 51 | 36 | 14 | 80 | 80 | 58 | 23 | 98 | 97 | 78 | 78 |
| 4 | | | | | | | | | 46 | 31 | 9 | 75 | 75 | 53 | 18 | 93 | 92 | 73 | 73 |
| 5 | | | | | | | | | 41 | 26 | 4 | 70 | 70 | 48 | 13 | 88 | 87 | 68 | 68 |
| 6 | | | | | | | | | 36 | 21 | n/a | 65 | 65 | 43 | 8 | 81 | 82 | 63 | 63 |
| 7 | | | | | | | | | 31 | 16 | | 60 | 60 | 38 | 3 | 78 | 77 | 58 | 58 |
| 8 | | | | | | | | | 26 | 11 | | 55 | 55 | 33 | n/a | 73 | 72 | 53 | 53 |
| 9 | | | | | | | | | 21 | 6 | | 50 | 50 | 28 | | 68 | 67 | 48 | 48 |
| 10 | | | | | | | | | 16 | 1 | 45 | 45 | 23 | 63 | | 62 | 43 | 43 | |

TYPICAL EXHAUST PIPE CONNECTIONS

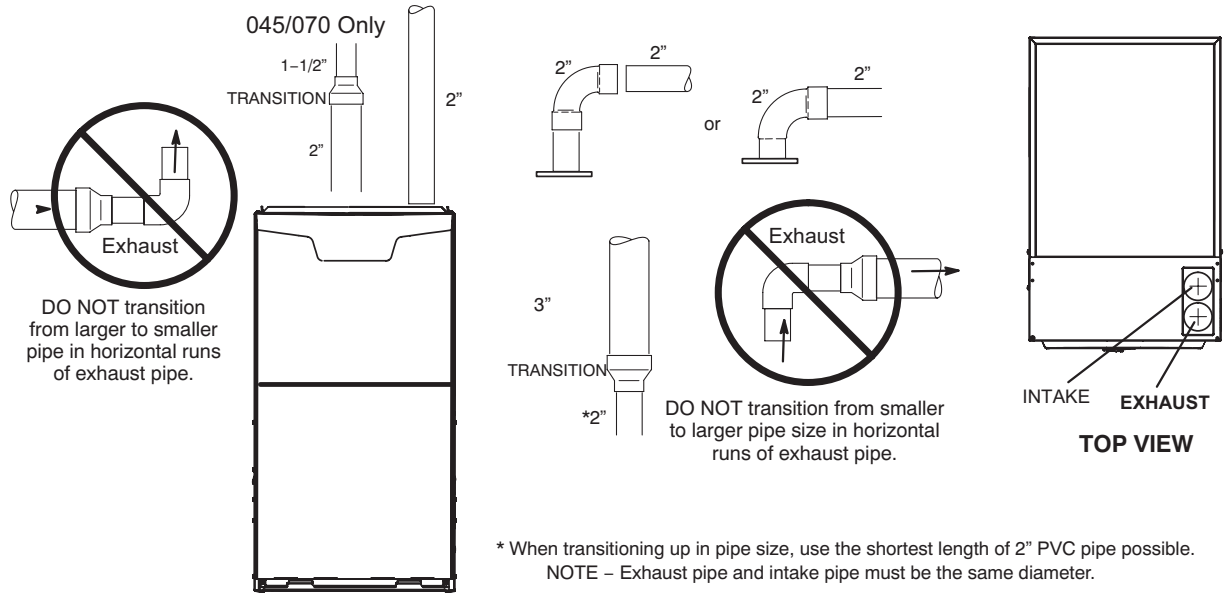


FIGURE 27

TYPICAL INTAKE PIPE CONNECTIONS

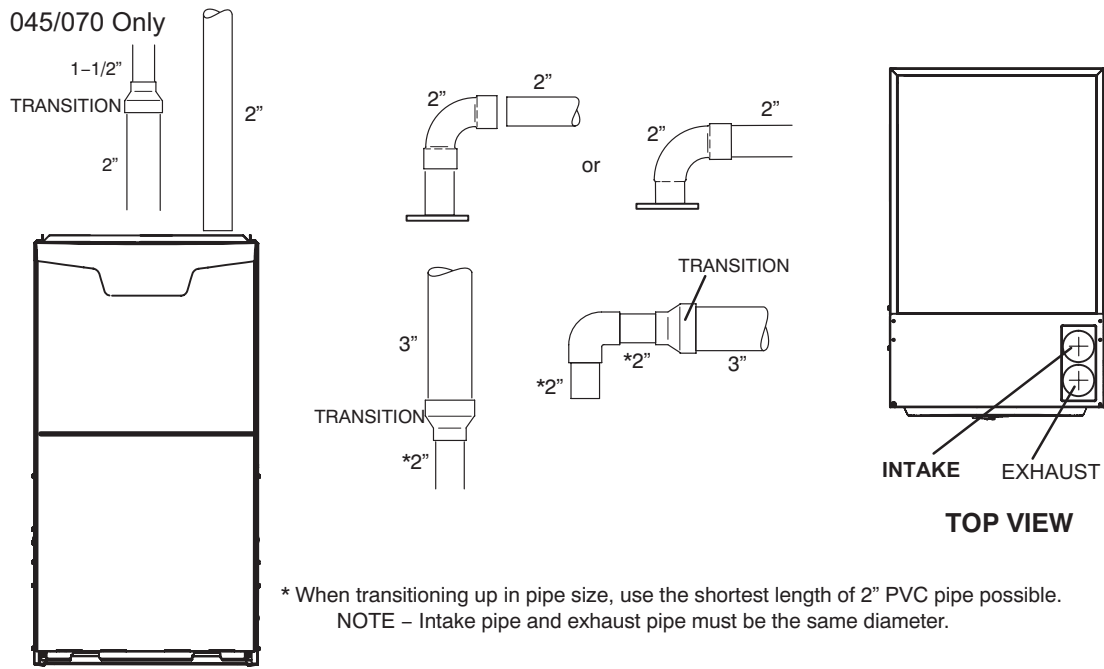
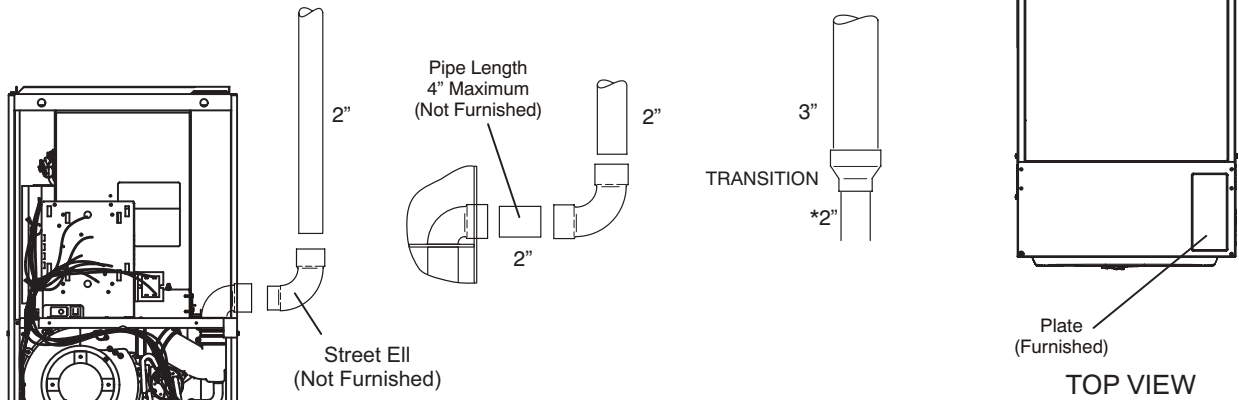


FIGURE 28

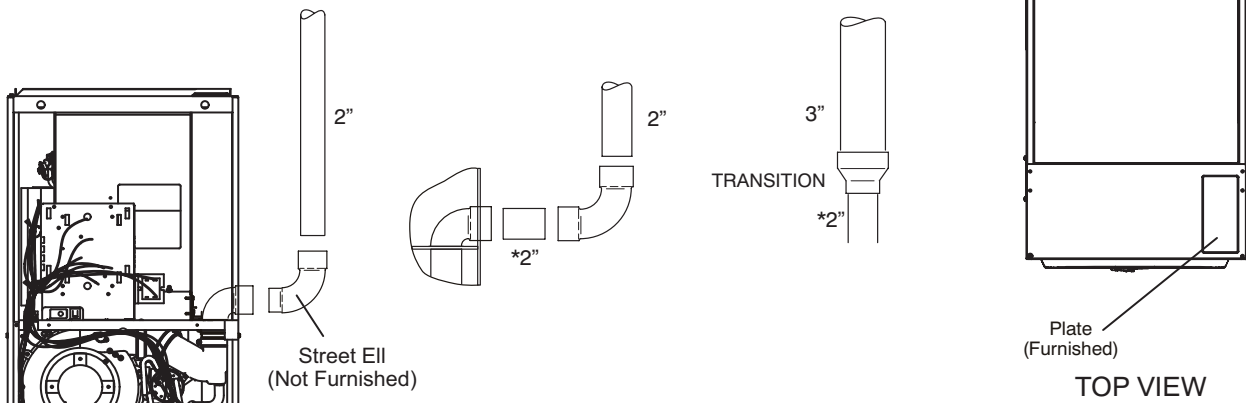
TYPICAL EXHAUST CONNECTIONS WITH RIGHT SIDE VENT OPTION



* When transitioning up in pipe size, use the shortest length of 2" PVC pipe possible.
NOTE - Intake pipe and exhaust pipe must be the same diameter.

FIGURE 29

TYPICAL AIR INTAKE PIPE CONNECTIONS WITH RIGHT SIDE VENT OPTION



* When transitioning up in pipe size, use the shortest length of 2" PVC pipe possible.
NOTE - Intake pipe and exhaust pipe must be the same diameter.

FIGURE 30

Intake Piping

The EL296DFE furnace may be installed in either **direct vent** or **non-direct vent** applications. In non-direct vent applications, when intake air will be drawn into the furnace from the surrounding space, the indoor air quality must be considered. Guidelines listed in Combustion, Dilution and Ventilation Air section must be followed.

Follow the next two steps when installing the unit in **Direct Vent applications**, where combustion air is taken from outdoors and flue gases are discharged outdoors. **The provided air intake screen must not be used in direct vent applications (outdoors).**

- 1 - Use cement or a sheet metal screw to secure the intake pipe to the inlet air connector.
- 2 - If intake air is drawn from a ventilated crawlspace (FIGURE 31) or ventilated attic (FIGURE 32) the exhaust vent length must not exceed those listed in table 9. If 3" diameter pipe is used, reduce to 2" diameter pipe to accommodate the debris screen.
- 3 - Route piping to outside of structure. Continue with installation following instructions given in general guide lines for piping terminations and intake and exhaust piping terminations for direct vent sections. Refer to TABLE 7 for pipe sizes.

⚠ CAUTION

If this unit is being installed in an application with combustion air coming in from a space serviced by an exhaust fan, power exhaust fan, or other device which may create a negative pressure in the space, take care when sizing the inlet air opening. The inlet air opening must be sized to accommodate the maximum volume of exhausted air as well as the maximum volume of combustion air required for all gas appliances serviced by this space.

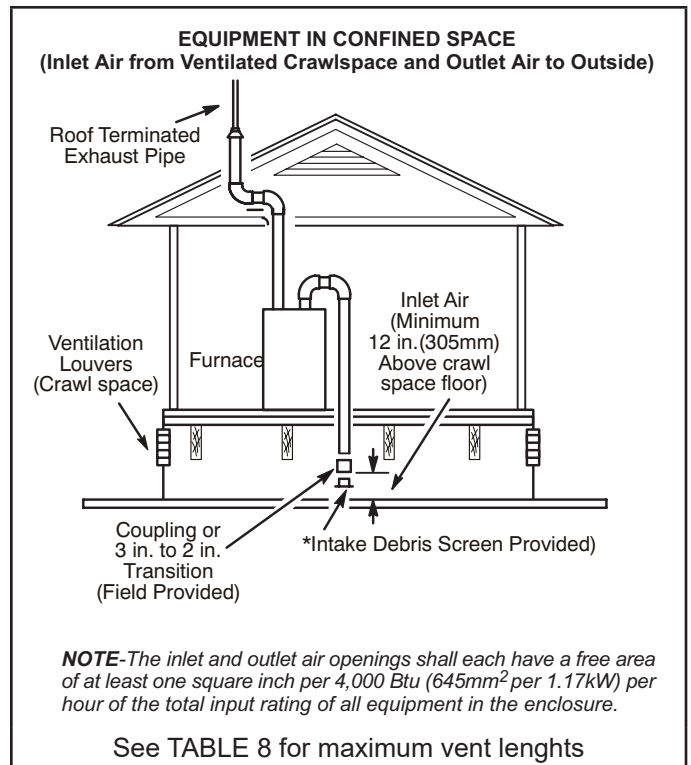


FIGURE 31

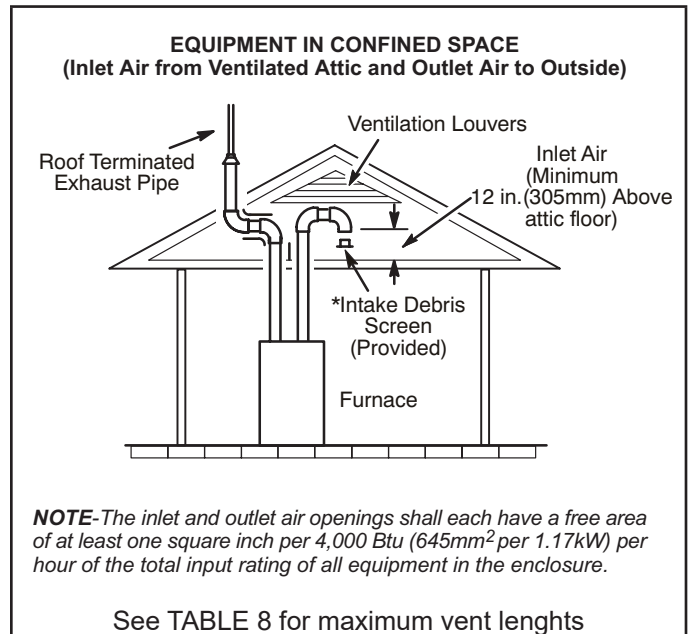
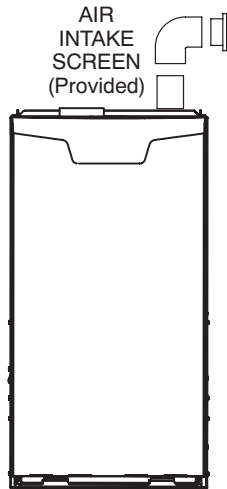


FIGURE 32

TYPICAL AIR INTAKE PIPE CONNECTIONS NON-DIRECT VENT APPLICATIONS



NOTE - Air intake screen and elbow may be rotated, so that screen may be positioned to face forward or to either side.

FIGURE 33

Follow the next two steps when installing the unit in Non-Direct Vent applications where combustion air is taken from indoors and flue gases are discharged outdoors.

- 1 - Use field-provided materials and the factory-provided air intake screen to route the intake piping as shown in FIGURE 33. Maintain a minimum clearance of 3" (76mm) around the air intake opening. The air intake opening (with the protective screen) should always be directed forward, or sideways.
- 2 - Use cement to secure the intake pipe to the connector, if desired.

General Guidelines for Vent Terminations

In Non-Direct Vent applications, combustion air is taken from indoors and the flue gases are discharged to the outdoors. The EL296DFE is then classified as a non-direct vent, Category IV gas furnace.

In Direct Vent applications, combustion air is taken from outdoors and the flue gases are discharged to the outdoors. The EL296DFE is then classified as a direct vent, Category IV gas furnace.

In both Non-Direct Vent and Direct Vent applications, the vent termination is limited by local building codes. In the absence of local codes, refer to the current National Fuel Gas Code ANSI Z223-1/NFPA 54 in U.S.A., and current CSA-B149 Natural Gas and Propane Installation Codes in Canada for details.

Position termination according to location given in FIGURE 35 or FIGURE 36. In addition, position termination so it is free from any obstructions and 12" above the average snow accumulation.

At vent termination, care must be taken to maintain protective coatings over building materials (prolonged exposure to exhaust condensate can destroy protective coatings). It is recommended that the exhaust outlet not be located within 6 feet (1.8m) of an outdoor AC unit because the condensate can damage the painted coating.

NOTE - See TABLE 8 for maximum allowed exhaust pipe length without insulation in unconditioned space during winter design temperatures below 32°F (0°C). If required exhaust pipe should be insulated with 1/2" (13mm) Armaflex or equivalent. In extreme cold climate areas, 3/4" (19mm) Armaflex or equivalent may be necessary. Insulation must be protected from deterioration. Armaflex with UV protection is permissible. Basements or other enclosed areas that are not exposed to the outdoor ambient temperature and are above 32 degrees F (0°C) are to be considered conditioned spaces.

! IMPORTANT

Do not use screens or perforated metal in exhaust terminations. Doing so will cause freeze-ups and may block the terminations.

! IMPORTANT

For Canadian Installations Only: In accordance to CSA International B149 installation codes, the minimum allowed distance between the combustion air intake inlet and the exhaust outlet of other appliances shall not be less than 12 inches (305mm).

TABLE 9

Maximum Allowable Exhaust Vent Pipe Length (in ft.³) Without Insulation In Unconditioned Space For Winter Design Temperatures Two - Stage High Efficiency Furnace

| Winter Design Temperatures ¹ °F (°C) | Vent Pipe Diameter | Unit Input Size | | | | | | | |
|---|--------------------|-----------------|-----------------|-----|-----------------|-----|-----------------|-----|-----------------|
| | | 045 | | 070 | | 090 | | 110 | |
| | | PVC | ² PP | PVC | ² PP | PVC | ² PP | PVC | ² PP |
| 32 to 21 (0 to -6) | 1-1/2 in | 22 | n/a | 20 | n/a | n/a | n/a | n/a | n/a |
| | 2 in | 21 | 18 | 33 | 30 | 46 | 42 | 30 | 30 |
| | 2-1/2 in | 16 | n/a | 26 | n/a | 37 | n/a | 36 | n/a |
| | 3 in | 12 | 12 | 21 | 21 | 30 | 30 | 29 | 29 |
| 20 to 1 (-7 to -17) | 1-1/2 in | 12 | n/a | 20 | n/a | n/a | n/a | n/a | n/a |
| | 2 in | 11 | 9 | 19 | 17 | 28 | 25 | 27 | 24 |
| | 2-1/2 in | 7 | n/a | 14 | n/a | 21 | n/a | 20 | n/a |
| | 3 in | 2 | 2 | 9 | 9 | 16 | 16 | 14 | 14 |
| 0 to -20 (-18 to -29) | 1-1/2 in | 8 | n/a | 13 | n/a | n/a | n/a | n/a | n/a |
| | 2 in | 6 | 4 | 12 | 10 | 19 | 16 | 18 | 15 |
| | 2-1/2 in | 1 | n/a | 7 | n/a | 13 | n/a | 12 | n/a |
| | 3 in | 1 | 1 | 2 | 2 | 8 | 8 | 7 | 7 |

¹Refer to 99% Minimum Design Temperature table provided in the current edition of the ASHRAE Fundamentals Handbook.

² Poly-Propylene vent pipe (PP) by Duravent and Centrotherm.

³ Vent length in table is equivalent length. Consider each elbow as 5ft. of linear length.

NOTE - Concentric terminations are the equivalent of 5' and should be considered when measuring pipe length.

NOTE - Maximum uninsulated vent lengths listed may include the termination(vent pipe exterior to the structure) and cannot exceed 5 linear feet or the maximum allowable intake or exhaust vent length listed in TABLE 7 or TABLE 9 which ever is less.

NOTE - If insulation is required in an unconditioned space, it must be located on the pipe closest to the furnace. See FIGURE 34.

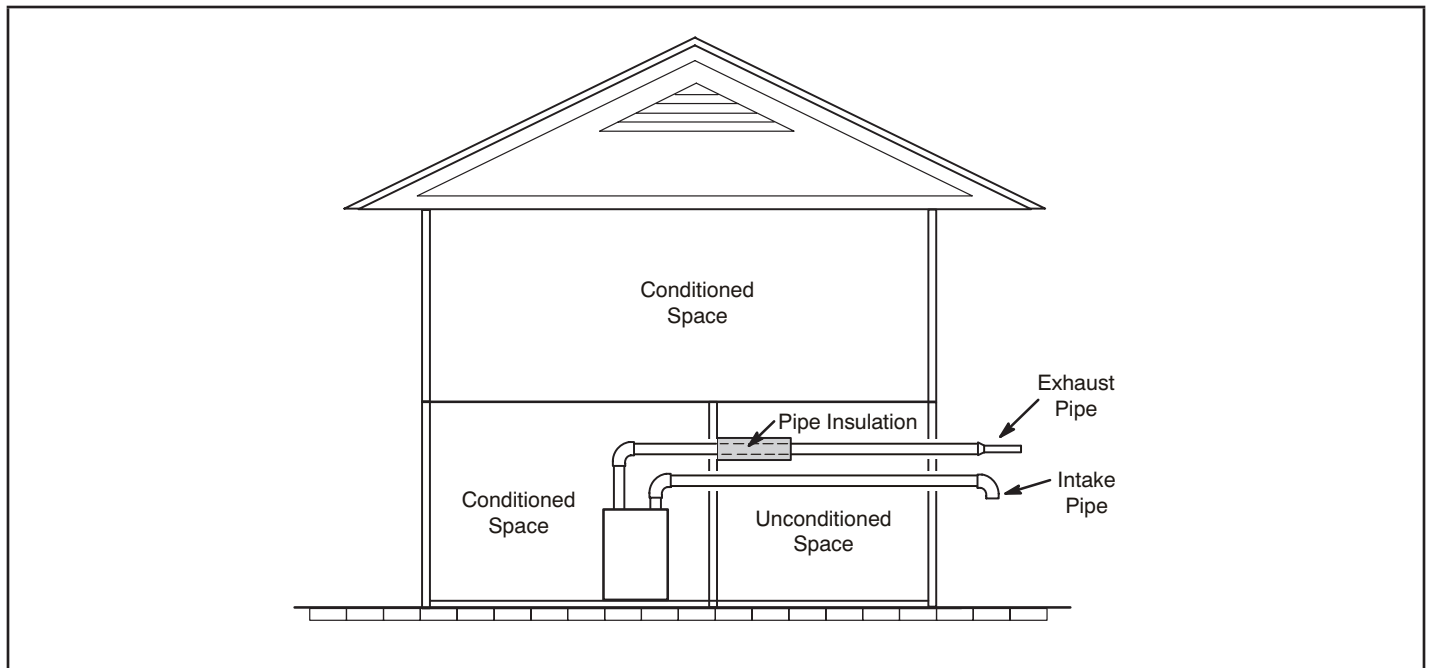
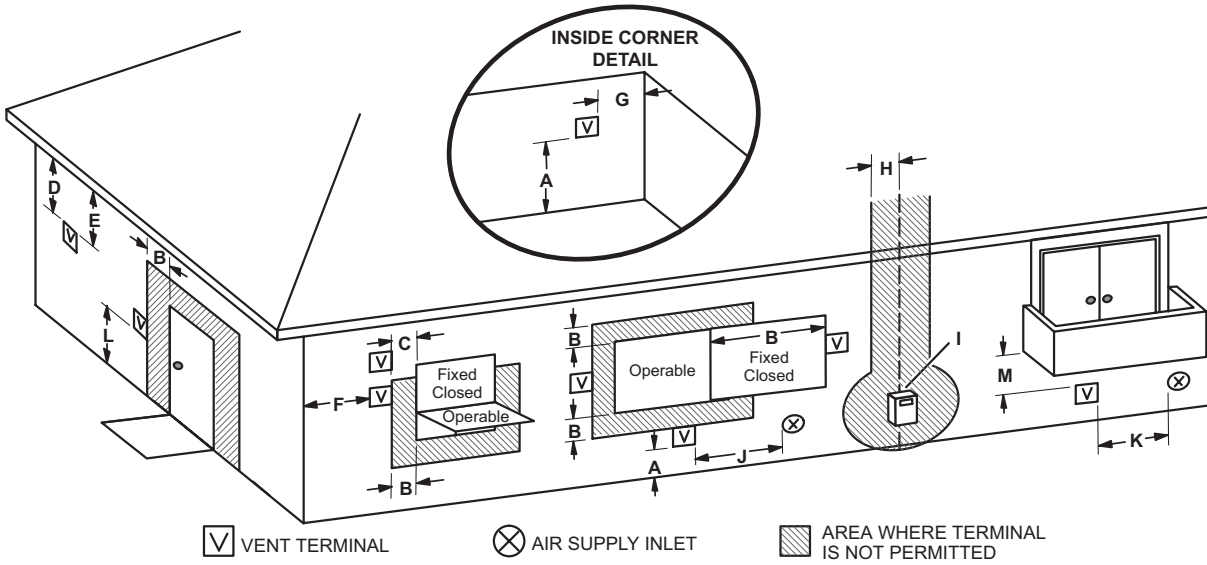


FIGURE 34

VENT TERMINATION CLEARANCES FOR NON-DIRECT VENT INSTALLATIONS IN THE US AND CANADA



| | US Installations ¹ | Canadian Installations ² | |
|-----|---|--|---|
| A = | Clearance above grade, veranda, porch, deck or balcony | 12 inches (305mm) or 12 in. (305mm) above average snow accumulation. | 12 inches (305mm) or 12 in. (305mm) above average snow accumulation. |
| B = | Clearance to window or door that may be opened | 4 feet (1.2 m) below or to side of opening; 1 foot (30cm) above opening | 6 inches (152mm) for appliances <10,000 Btuh (3kw), 12 inches (305mm) for appliances > 10,000 Btuh (3kw) and <100,000 Btuh (30kw), 36 inches (.9m) for appliances > 100,000 Btuh (30kw) |
| C = | Clearance to permanently closed window | * 12" | * 12" |
| D = | Vertical clearance to ventilated soffit located above the terminal within a horizontal distance of 2 feet (610 mm) from the center line of the terminal | * Equal to or greater than soffit depth. | * Equal to or greater than soffit depth. |
| E = | Clearance to unventilated soffit | * Equal to or greater than soffit depth. | * Equal to or greater than soffit depth. |
| F = | Clearance to outside corner | * No minimum to outside corner | * No minimum to outside corner |
| G = | Clearance to inside corner | * | * |
| H = | Clearance to each side of center line extended above meter / regulator assembly | * 3 feet (.9m) within a height 15 feet (4.5m) above the meter / regulator assembly | 3 feet (.9m) within a height 15 feet (4.5m) above the meter / regulator assembly |
| I = | Clearance to service regulator vent outlet | * 3 feet (.9m) | 3 feet (.9m) |
| J = | Clearance to non-mechanical air supply inlet to building or the combustion air inlet to any other appliance | 4 feet (1.2 m) below or to side of opening; 1 foot (30 cm) above opening | 6 inches (152mm) for appliances <10,000 Btuh (3kw), 12 inches (305mm) for appliances > 10,000 Btuh (3kw) and <100,000 Btuh (30kw), 36 inches (.9m) for appliances > 100,000 Btuh (30kw) |
| K = | Clearance to mechanical air supply inlet | 3 feet (.9m) above if within 10 feet (3m) horizontally | 6 feet (1.8m) |
| L = | Clearance above paved sidewalk or paved driveway located on public property | 7 feet (2.1m)† | 7 feet (2.1m)† |
| M = | Clearance under veranda, porch, deck or balcony | *12 inches (305mm)‡ | 12 inches (305mm)‡ |

¹ In accordance with the current ANSI Z223.1/NFPA 54 Natural Fuel Gas Code

² In accordance with the current CSA B149.1, Natural Gas and Propane Installation Code

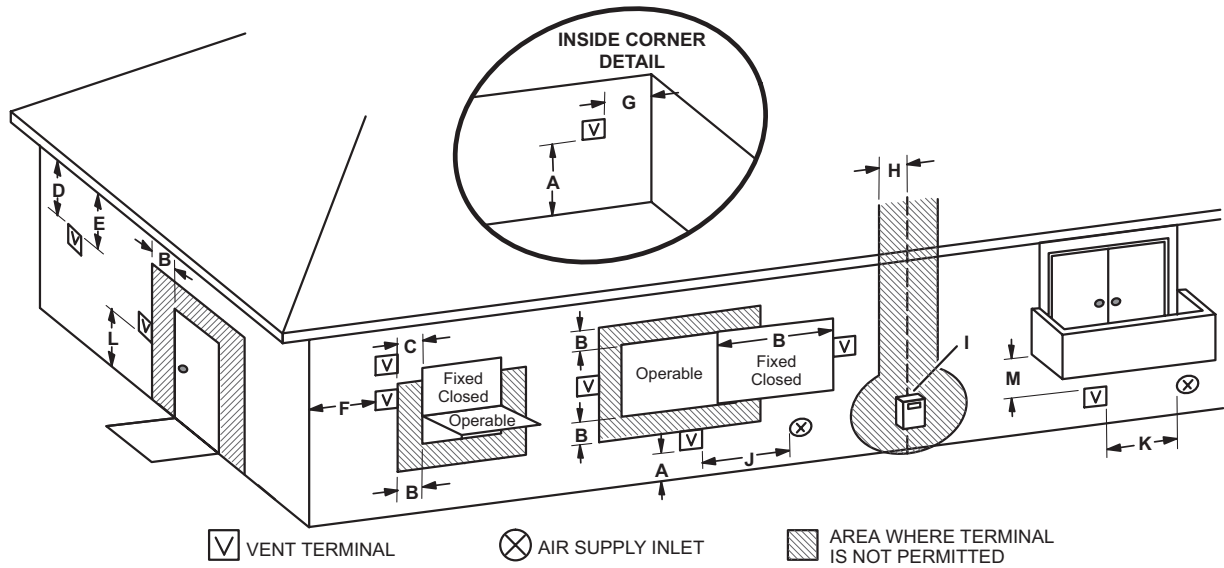
† A vent shall not terminate directly above a sidewalk or paved driveway that is located between two single family dwellings and serves both dwellings.

‡ Permitted only if veranda, porch, deck or balcony is fully open on a minimum of two sides beneath the floor. Lennox recommends avoiding this location if possible.

*For clearances not specified in ANSI Z223.1/NFPA 54 or CSA B149.1, clearance will be in accordance with local installation codes and the requirements of the gas supplier and these installation instructions."

FIGURE 35

VENT TERMINATION CLEARANCES FOR DIRECT VENT INSTALLATIONS IN THE US AND CANADA



| | US Installations ¹ | Canadian Installations ² | |
|-----|--|---|---|
| A = | Clearance above grade, veranda, porch, deck or balcony | 12 inches (305mm) or 12 in. (305mm) above average snow accumulation. | 12 inches (305mm) or 12 in. (305mm) above average snow accumulation. |
| B = | Clearance to window or door that may be opened | 6 inches (152mm) for appliances <10,000 Btuh (3kw), 9 inches (228mm) for appliances > 10,000 Btuh (3kw) and <50,000 Btuh (15 kw), 12 inches (305mm) for appliances > 50,000 Btuh (15kw) | 6 inches (152mm) for appliances <10,000 Btuh (3kw), 12 inches (305mm) for appliances > 10,000 Btuh (3kw) and <100,000 Btuh (30kw), 36 inches (.9m) for appliances > 100,000 Btuh (30kw) |
| C = | Clearance to permanently closed window | * 12" | * 12" |
| D = | Vertical clearance to ventilated soffit located above the terminal within a horizontal distance of 2 feet (610mm) from the center line of the terminal | * Equal to or greater than soffit depth | * Equal to or greater than soffit depth |
| E = | Clearance to unventilated soffit | * Equal to or greater than soffit depth | * Equal to or greater than soffit depth |
| F = | Clearance to outside corner | * No minimum to outside corner | * No minimum to outside corner |
| G = | Clearance to inside corner | * | * |
| H = | Clearance to each side of center line extended above meter / regulator assembly | 3 feet (.9m) within a height 15 feet (4.5m) above the meter / regulator assembly | 3 feet (.9m) within a height 15 feet (4.5m) above the meter / regulator assembly |
| I = | Clearance to service regulator vent outlet | * 3 feet (.9m) | 3 feet (.9m) |
| J = | Clearance to non-mechanical air supply inlet to building or the combustion air inlet to any other appliance | 6 inches (152mm) for appliances <10,000 Btuh (3kw), 9 inches (228mm) for appliances > 10,000 Btuh (3kw) and <50,000 Btuh (15 kw), 12 inches (305mm) for appliances > 50,000 Btuh (15kw) | 6 inches (152mm) for appliances <10,000 Btuh (3kw), 12 inches (305mm) for appliances > 10,000 Btuh (3kw) and <100,000 Btuh (30kw), 36 inches (.9m) for appliances > 100,000 Btuh (30kw) |
| K = | Clearance to mechanical air supply inlet | 3 feet (.9m) above if within 10 feet (3m) horizontally | 6 feet (1.8m) |
| L = | Clearance above paved sidewalk or paved driveway located on public property | * 7 feet (2.1m) | 7 feet (2.1m)† |
| M = | Clearance under veranda, porch, deck or balcony | *12 inches (305mm)‡ | 12 inches (305mm)‡ |

¹ In accordance with the current ANSI Z223.1/NFPA 54 Natural Fuel Gas Code

² In accordance with the current CSA B149.1, Natural Gas and Propane Installation Code

† A vent shall not terminate directly above a sidewalk or paved driveway that is located between two single family dwellings and serves both dwellings.

‡ Permitted only if veranda, porch, deck or balcony is fully open on a minimum of two sides beneath the floor. Lennox recommends avoiding this location if possible.

For clearances not specified in ANSI Z223.1/NFPA 54 or CSA B149.1, clearance will be in accordance with local installation codes and the requirements of the gas supplier and these installation instructions.

FIGURE 36

Details of Intake and Exhaust Piping Terminations for Direct Vent Installations

NOTE - In Direct Vent installations, combustion air is taken from outdoors and flue gases are discharged to outdoors.

NOTE - Flue gas may be slightly acidic and may adversely affect some building materials. If any vent termination is used and the flue gasses may impinge on the building material, a corrosion-resistant shield (minimum 24 inches square) should be used to protect the wall surface. If the optional tee is used, the protective shield is recommended. The shield should be constructed using wood, plastic, sheet metal or other suitable material. All seams, joints, cracks, etc. in the affected area should be sealed using an appropriate sealant. See FIGURE 45.

Intake and exhaust pipes may be routed either horizontally through an outside wall or vertically through the roof. In attic or closet installations, vertical termination through the roof is preferred. FIGURE 37 through FIGURE 44 show typical terminations.

1 - Vent terminations are not required to be in the same pressure zone. You may exit the intake on one side of the structure and the exhaust on another side (FIGURE 38). You may exit the exhaust out the roof and the intake out the side of the structure (FIGURE 39).

2 - Intake and exhaust pipes should be placed as close together as possible at termination end (refer to illustrations). Maximum separation is 3" (76mm) on roof terminations and 6" (152mm) on side wall terminations.

NOTE - When venting in different pressure zones, the maximum separation requirement of intake and exhaust pipe DOES NOT apply.

3 - On roof terminations, the intake piping should terminate straight down using two 90° elbows (See FIGURE 37).

4 - Exhaust piping must terminate straight out or up as shown. A reducer may be required on the exhaust piping at the point where it exits the structure to improve the velocity of exhaust away from the intake piping. See TABLE 10.

TABLE 10

EXHAUST PIPE TERMINATION SIZE REDUCTION

| EL296DFE MODEL | Termination Pipe Size |
|----------------|-----------------------|
| *045 and 070 | 1-1/2" (38MM) |
| *090 | 2" (51MM) |
| 110 | 2" (51MM) |

*-045, -070 and -090 units with the flush mount termination must use the 1-1/2" accelerator supplied with the kit.

5 - On field-supplied terminations for side wall exit, exhaust piping may extend a maximum of 12 inches (305mm) for 2" PVC and 20 inches (508mm) for 3" (76mm) PVC beyond the outside wall. Intake piping should be as short as possible. See FIGURE 45.

NOTE - Care must be taken to avoid recirculation of exhaust back into intake pipe.

6 - On field supplied terminations, a minimum distance between the end of the exhaust pipe and the end of the intake pipe without a termination elbow is 8" and a minimum distance of 6" with a termination elbow. See FIGURE 45.

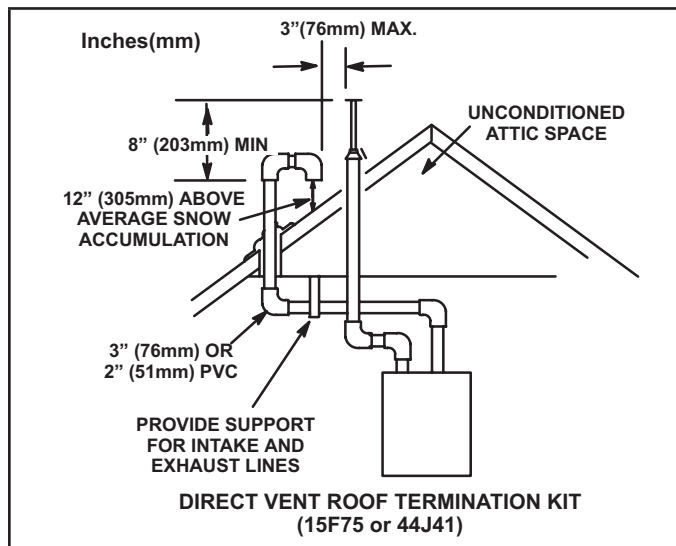


FIGURE 37

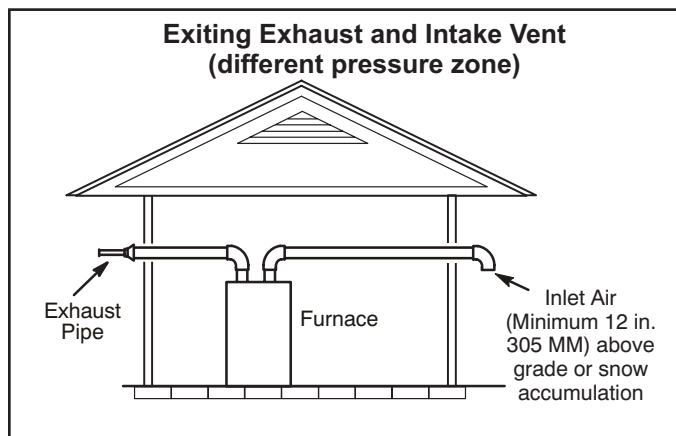


FIGURE 38

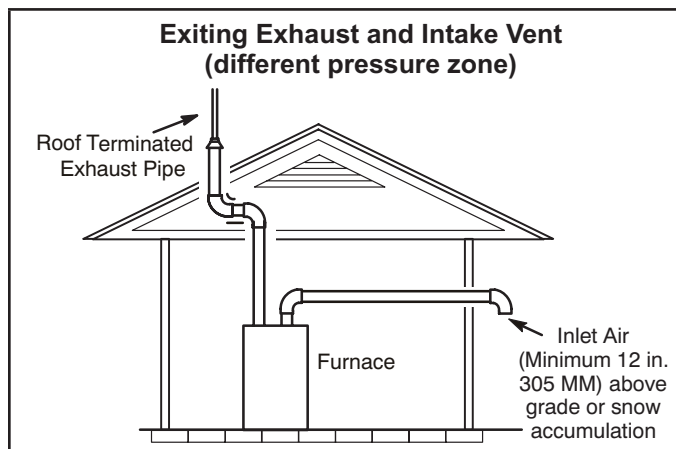


FIGURE 39

- 7 - If intake and exhaust piping must be run up a side wall to position above snow accumulation or other obstructions, piping must be supported. At least one bracket must be used within 6" from the top of the elbow and then every 24" (610mm) as shown in FIGURE 45, to prevent any movement in any direction. When exhaust and intake piping must be run up an outsidewall, the exhaust piping must be terminated with pipe sized per TABLE 10. The intake piping may be equipped with a 90° elbow turndown. Using turndown will add 5 feet (1.5m) to the equivalent length of the pipe.
- 8 - A multiple furnace installation may use a group of up to four terminations assembled together horizontally, as shown in FIGURE 42.

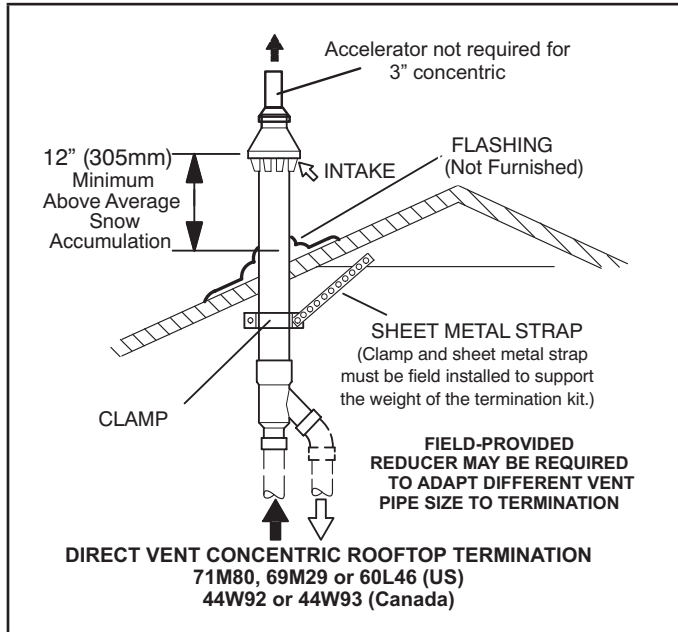


FIGURE 40

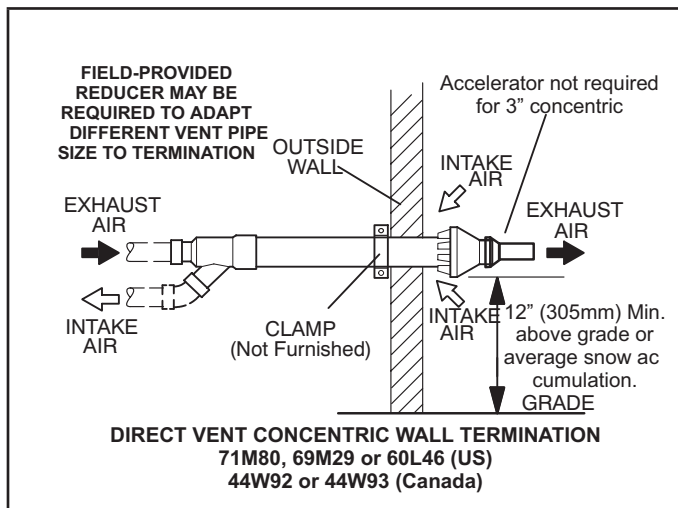


FIGURE 41

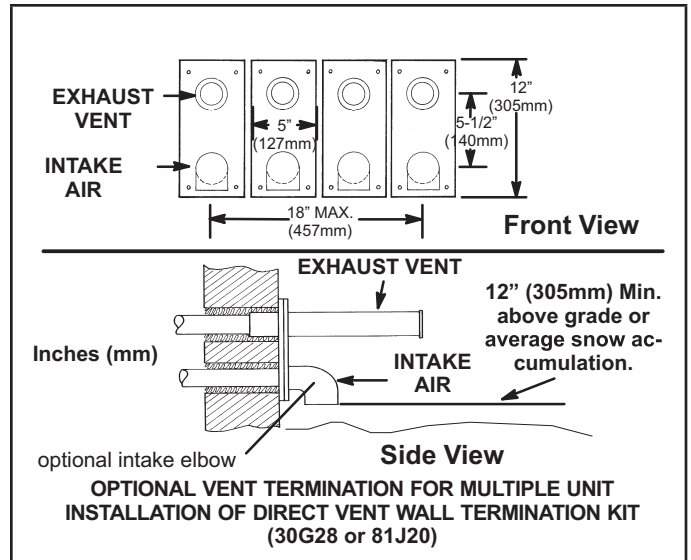


FIGURE 42

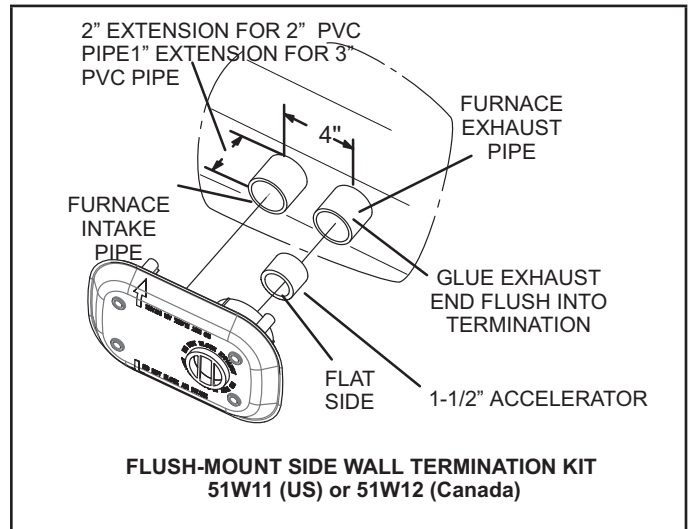


FIGURE 43

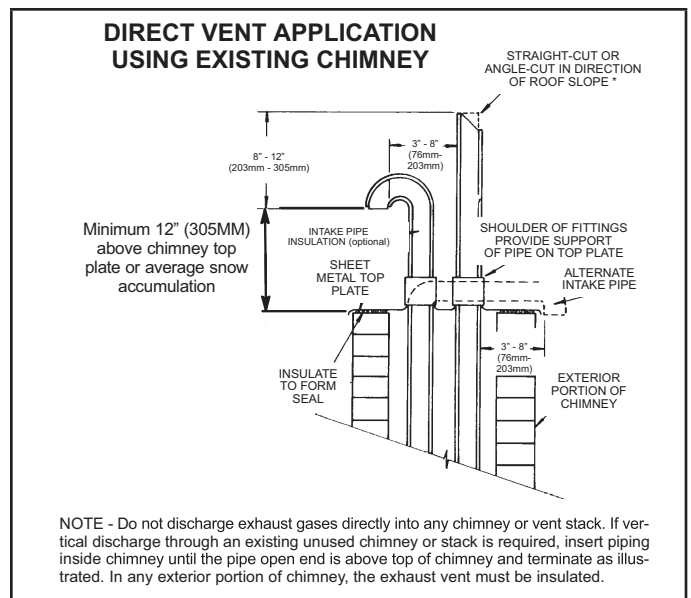
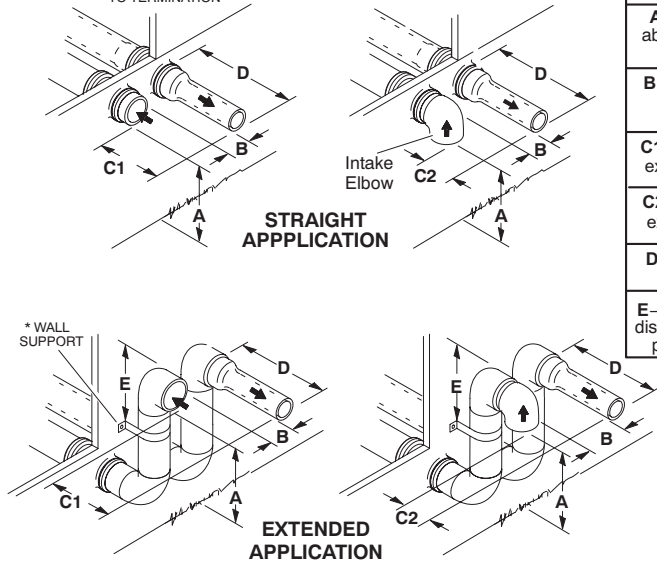


FIGURE 44

FIELD FABRICATED WALL TERMINATION

NOTE - FIELD-PROVIDED REDUCER MAY BE REQUIRED TO ADAPT LARGER VENT PIPE SIZE TO TERMINATION



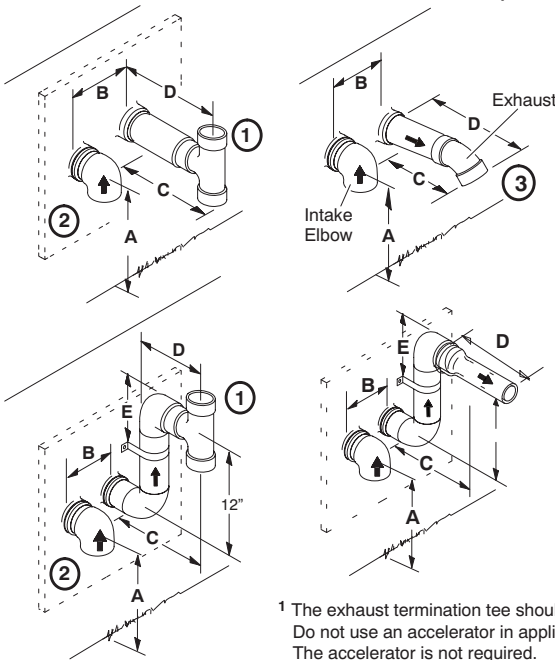
| | 2" (51mm) Vent Pipe | 3" (76mm) Vent Pipe |
|---|------------------------|------------------------|
| A- Minimum clearance above grade or average snow accumulation | 12" (305 mm) | 12" (305 mm) |
| B- Maximum horizontal separation between intake and exhaust | 6" (152 mm) | 6" (152 mm) |
| C1 -Minimum from end of exhaust to inlet of intake | 8" (203 mm) | 8" (203 mm) |
| C2 -Minimum from end of exhaust to inlet of intake | 6" (152 mm) | 6" (152 mm) |
| D- Maximum exhaust pipe length | 12" (305 mm) | 20" (508 mm) |
| E- Maximum wall support distance from top of each pipe (intake/exhaust) | 6" (152 mm) | 6" (152 mm) |

See venting table maximum venting lengths with this arrangement.

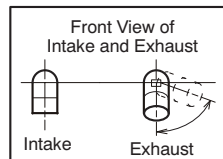
* Use wall support every 24" (610 mm). Use two wall supports if extension is greater than 24" (610 mm) but less than 48" (1219 mm).

NOTE - One wall support must be within 6" (152 mm) from top of each pipe (intake and exhaust) to prevent movement in any direction.

ALTERNATE TERMINATIONS (TEE & FORTY-FIVE DEGREE ELBOWS ONLY)



| | 2" (51MM) Vent Pipe | 3" (76MM) Vent Pipe |
|---|--|--|
| A- Clearance above grade or average snow accumulation | 12" (305 mm) Min. | 12" (305 mm) Min. |
| B- Horizontal separation between intake and exhaust | 6" (152 mm) Min. 24" (610 mm) Max. | 6" (152 mm) Min. 24" (610 mm) Max. |
| C- Minimum from end of exhaust to inlet of intake | 9" (227 mm) Min. | 9" (227 mm) Min. |
| D- Exhaust pipe length | 12" (305 mm) Min. 16" (405 mm) Max. | 12" (305 mm) Min. 20" (508 mm) Max. |
| E- Wall support distance from top of each pipe (intake/exhaust) | 6" (152 mm) Max. | 6" (152 mm) Max. |



- The exhaust termination tee should be connected to the 2" or 3" PVC flue pipe as shown in the illustration. Do not use an accelerator in applications that include an exhaust termination tee. The accelerator is not required.
- As required. Flue gas may be acidic and may adversely affect some building materials. If a side wall vent termination is used and flue gases will impinge on the building materials, a corrosion-resistant shield (24 inches square) should be used to protect the wall surface. If optional tee is used, the protective shield is recommended. The shield should be constructed using wood, sheet metal or other suitable material. All seams, joints, cracks, etc. in affected area, should be sealed using an appropriate sealant.
- Exhaust pipe 45° elbow can be rotated to the side away from the combustion air inlet to direct exhaust away from adjacent property. The exhaust must never be directed toward the combustion air inlet.

FIGURE 45

Details of Exhaust Piping Terminations for Non-Direct Vent Applications

Exhaust pipes may be routed either horizontally through an outside wall or vertically through the roof. In attic or closet installations, vertical termination through the roof is preferred. FIGURE 46 and FIGURE 47 shows typical terminations.

- 1 - Exhaust piping must terminate straight out or up as shown. The termination pipe must be sized as listed in TABLE 10. The specified pipe size ensures proper velocity required to move the exhaust gases away from the building.
- 2 - On field supplied terminations for side wall exit, exhaust piping may extend a maximum of 12 inches (305mm) for 2" PVC and 20 inches (508mm) for 3" (76mm) PVC beyond the outside wall.
- 3 - If exhaust piping must be run up a side wall to position above snow accumulation or other obstructions, piping must be supported every 24 inches (610mm). When exhaust piping must be run up an outside wall, any reduction in exhaust pipe size must be done after the final elbow.
- 4 - Distance between exhaust pipe terminations on multiple furnaces must meet local codes.

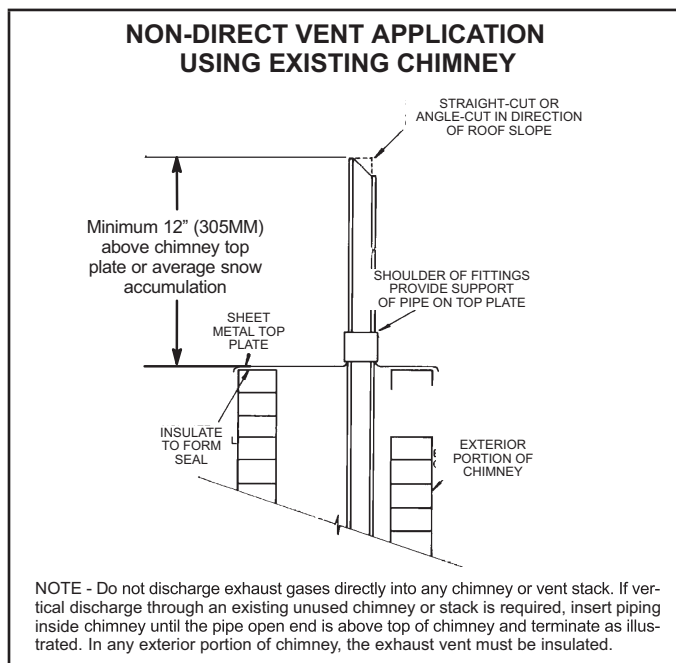


FIGURE 46

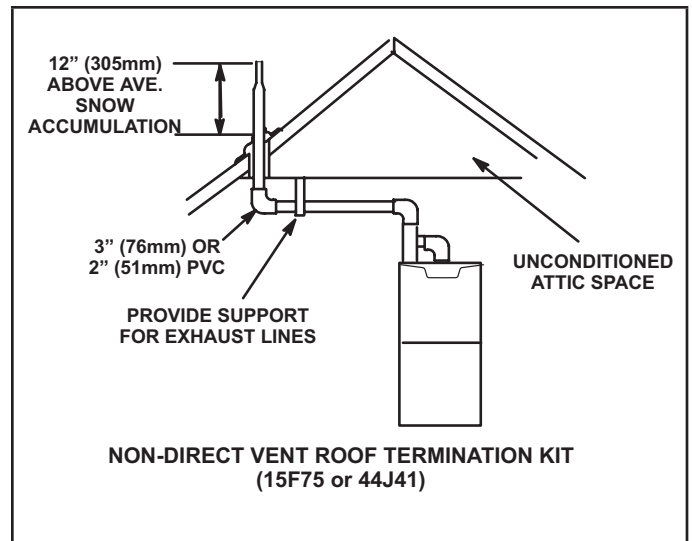


FIGURE 47

Condensate Piping

This unit is designed for either right- or left-side exit of condensate piping. Refer to FIGURE 48 and FIGURE 50 for condensate trap locations.

NOTE - If necessary the condensate trap may be installed up to 5' away from the furnace. Use PVC pipe to connect trap to furnace condensate outlet. Piping from furnace must slope down a minimum of 1/4" per ft. toward trap.

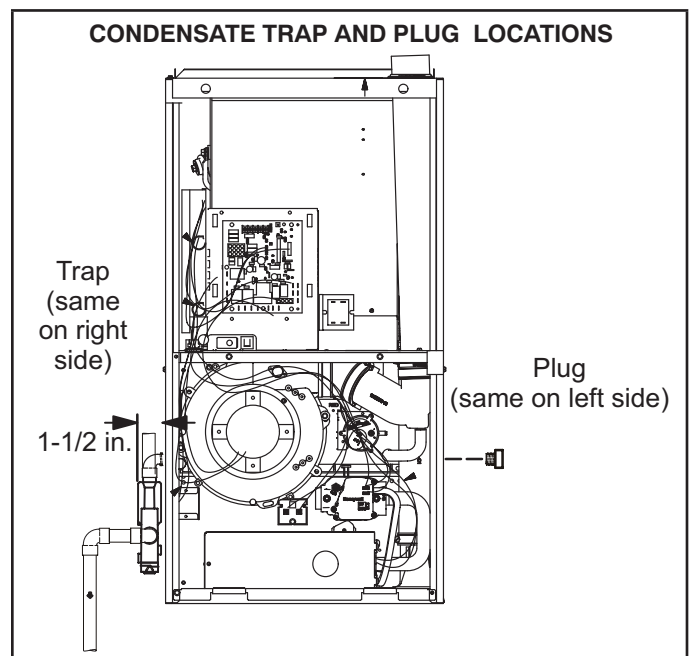


FIGURE 48

- 1 - Determine which side condensate piping will exit the unit, location of trap, field-provided fittings and length of PVC pipe required to reach available drain.
- 2 - Use a large flat head screw driver or a 1/2" drive socket extension and remove plug (figure 48) from the cold end header box at the appropriate location on the side of the unit. Install provided 3/4 NPT street elbow fitting into cold end header box. Use Teflon tape or appropriate pipe dope.

NOTE - Cold end header box drain plugs are factory installed. Check the unused plug for tightness to prevent leakage.
- 3 - Install the cap over the clean out opening at the base of the trap. Secure with clamp. See FIGURE 54.
- 4 - Install drain trap using appropriate PVC fittings, glue all joints. Glue the provided drain trap as shown in FIGURE 54. Route the condensate line to an open drain.
- 5 - FIGURE 51 shows the furnace and evaporator coil using a separate drain. If necessary, the condensate line from the furnace and evaporator coil can drain together. See FIGURE 52 and FIGURE 53. The field provided vent must be a minimum 1" to a maximum 2" length above the condensate drain outlet connection.
- 6 - If unit will be started immediately upon completion of installation, prime trap per procedure outlined in Unit Start-Up section.

Condensate line must slope downward away from the trap to drain. If drain level is above condensate trap, condensate pump must be used. Condensate drain line should be routed within the conditioned space to avoid freezing of condensate and blockage of drain line. If this is not possible, a heat cable kit may be used on the condensate trap and line. Heat cable kit is available from Lennox in various lengths; 6 ft. (1.8m) - kit no. 26K68 and 24 ft. (7.3m) - kit no. 26K69.

NOTE - Appropriately sized tubing and barbed fitting may be used for condensate drain. Attach to the drain on the trap using a hose clamp. See FIGURE 49

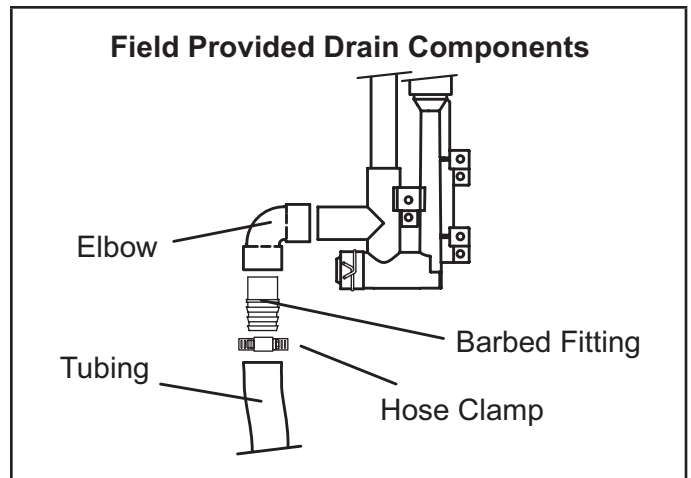


FIGURE 49

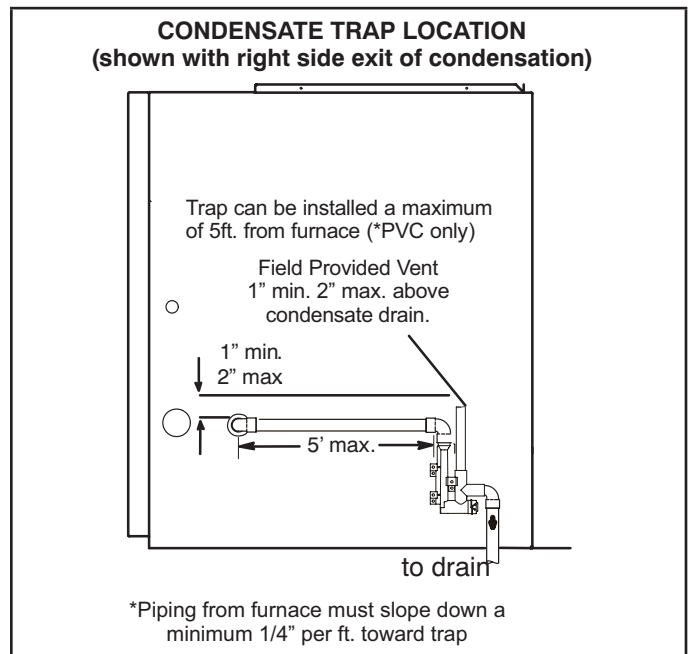
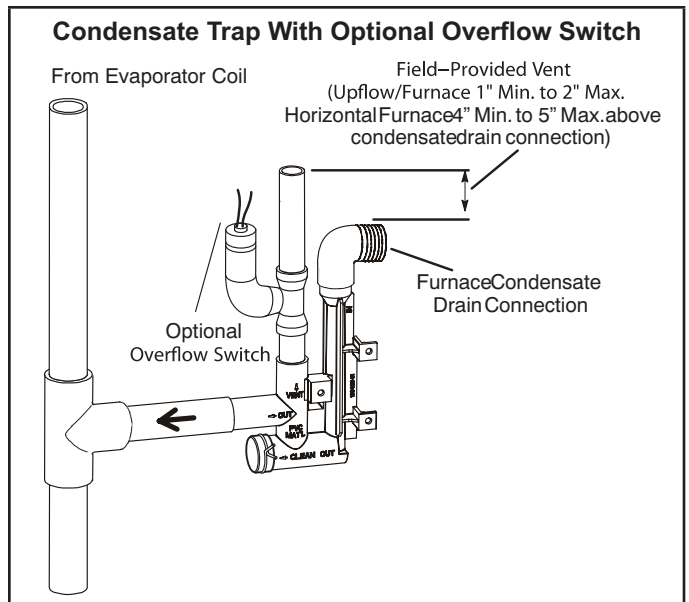
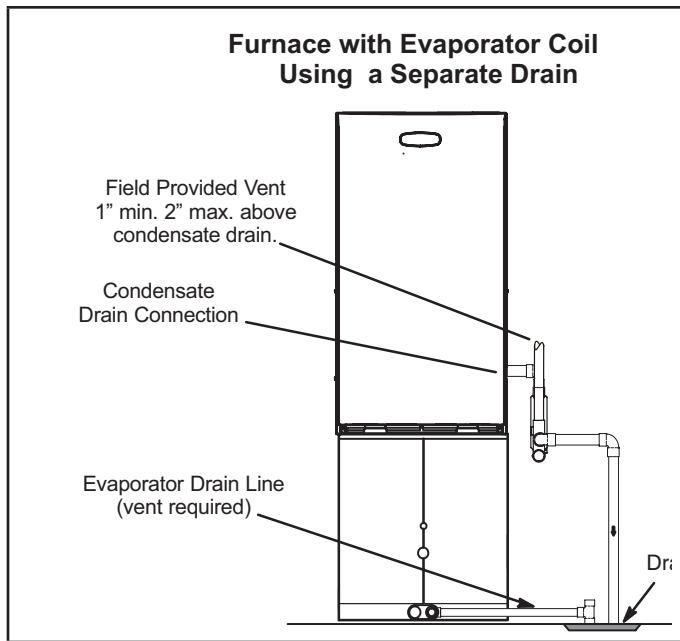


FIGURE 50

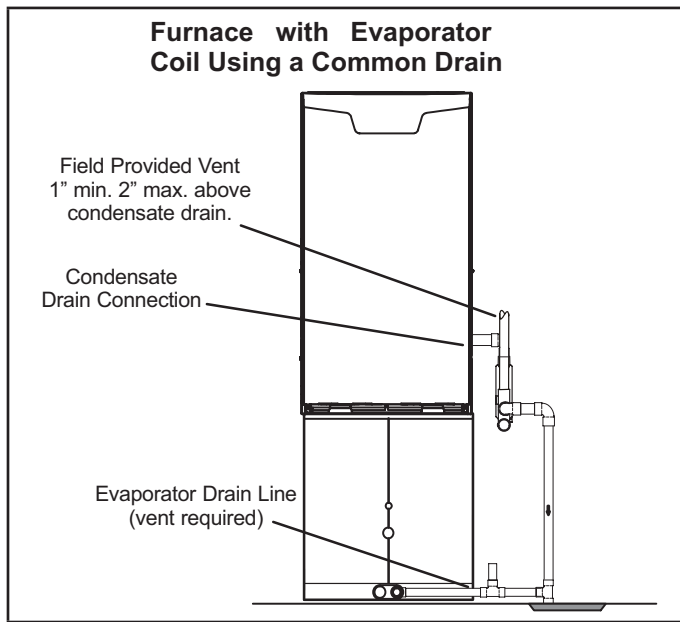


⚠ IMPORTANT

When combining the furnace and evaporator coil drains together, the A/C condensate drain outlet must be vented to relieve pressure in order for the furnace pressure switch to operate properly.

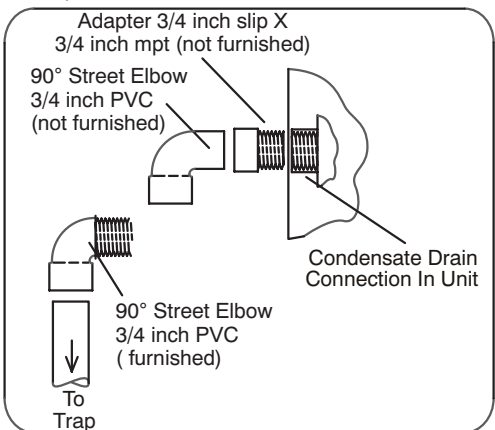
⚠ CAUTION

Do not use copper tubing or existing copper condensate lines for drain line.

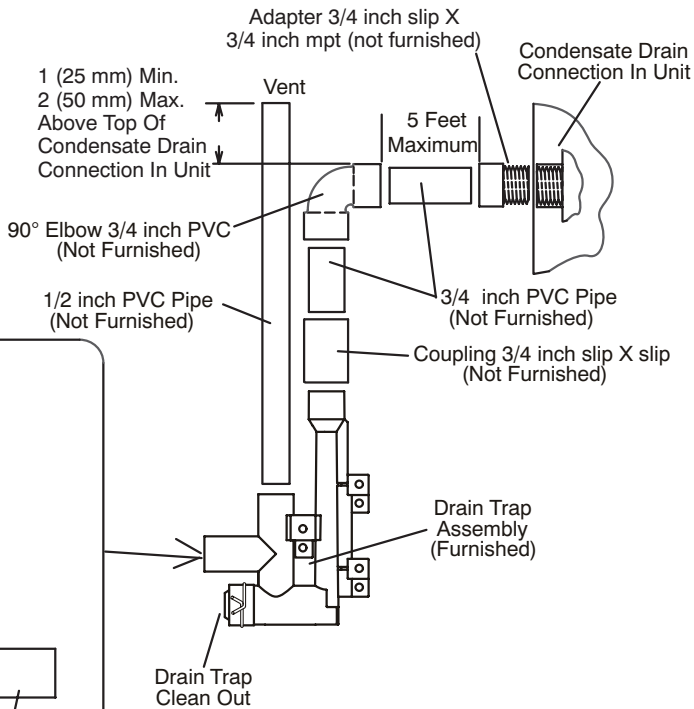
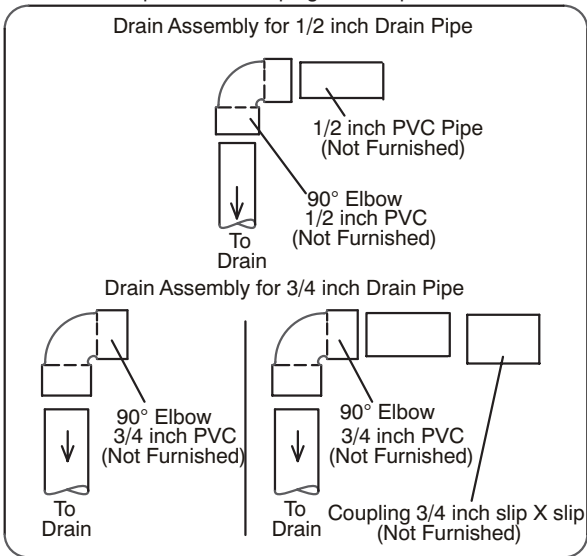


TRAP / DRAIN ASSEMBLY USING 1/2" PVC OR 3/4" PVC

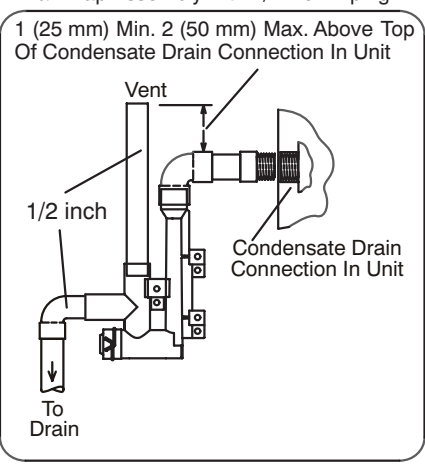
Optional Condensate Drain Connection



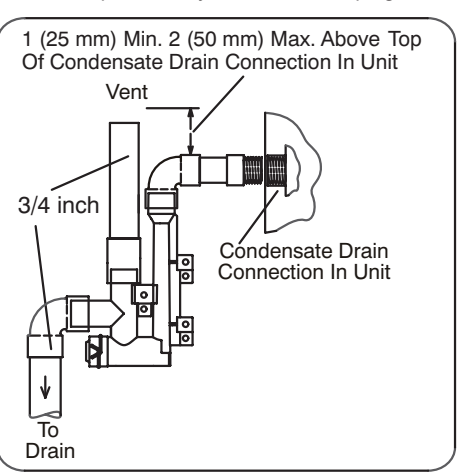
Optional Drain Piping From Trap



Drain Trap Assembly with 1/2 inch Piping



Drain Trap Assembly with 3/4 inch Piping



Drain Trap Assembly (Furnished)

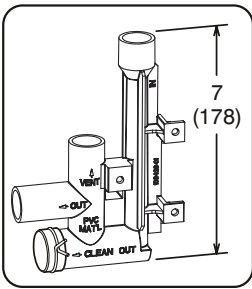


FIGURE 54

Gas Piping

⚠ CAUTION

If a flexible gas connector is required or allowed by the authority that has jurisdiction, black iron pipe shall be installed at the gas valve and extend outside the furnace cabinet. The flexible connector can then be added between the black iron pipe and the gas supply line.

⚠ WARNING

Do not over torque (800 in-lbs) or under torque (350 in-lbs) when attaching the gas piping to the gas valve.

- 1 - Gas piping may be routed into the unit through either the left- or right-hand side. Supply piping enters into the gas valve from the side of the valve as shown in FIGURE 56. Connect the gas supply piping into the gas valve. The maximum torque is 800 in lbs and minimum torque is 350 in lbs when attaching the gas piping to the gas valve.
- 2 - When connecting gas supply, factors such as length of run, number of fittings and furnace rating must be considered to avoid excessive pressure drop. TABLE 11 lists recommended pipe sizes for typical applications.
NOTE - Use two wrenches when connecting gas piping to avoid transferring torque to the manifold.
- 3 - Gas piping must not run in or through air ducts, clothes chutes, chimneys or gas vents, dumb waiters or elevator shafts. Center gas line through piping hole. Gas line should not touch side of unit. See FIGURE 56.
- 4 - Piping should be sloped 1/4 inch per 15 feet (6mm per 5.6m) upward toward the gas meter from the furnace. The piping must be supported at proper intervals, every 8 to 10 feet (2.44 to 3.05m), using suitable hangers or straps. Install a drip leg in vertical pipe runs to serve as a trap for sediment or condensate.
- 5 - A 1/8" N.P.T. plugged tap or pressure post is located on the gas valve to facilitate test gauge connection. See FIGURE 60.
- 6 - In some localities, codes may require installation of a manual main shut-off valve and union (furnished by installer) external to the unit. Union must be of the ground joint type.

⚠ IMPORTANT

Compounds used on threaded joints of gas piping must be resistant to the actions of liquified petroleum gases.

Leak Check

After gas piping is completed, carefully check all field-installed piping connections for gas leaks. Use a commercially available leak detecting solution specifically manufactured for leak detection. Never use an open flame to test for gas leaks

The furnace must be isolated from the gas supply system by closing the individual manual shut-off valve during any gas supply system at pressures greater than or equal to 1/2 psig. (3.48 kPa, 14 inches w.c.). This furnace and its components are designed, manufactured and independently certified to comply with all applicable ANSI/CSA standards. A leak check of the furnace and its components is not required.

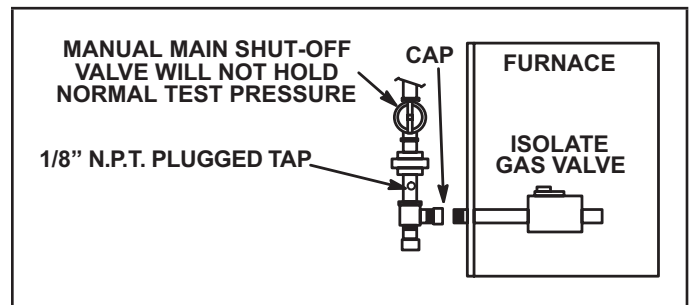


FIGURE 55

⚠ IMPORTANT

When testing pressure of gas lines, gas valve must be disconnected and isolated. See FIGURE 55. Gas valves can be damaged if subjected to pressures greater than 1/2 psig (3.48 kPa).

⚠ WARNING

FIRE OR EXPLOSION HAZARD

Failure to follow the safety warnings exactly could result in serious injury, death, or property damage. Never use an open flame to test for gas leaks. Check all connections using a commercially available soap solution made specifically for leak detection. Some soaps used for leak detection are corrosive to certain metals. Carefully rinse piping thoroughly after leak test has been completed.

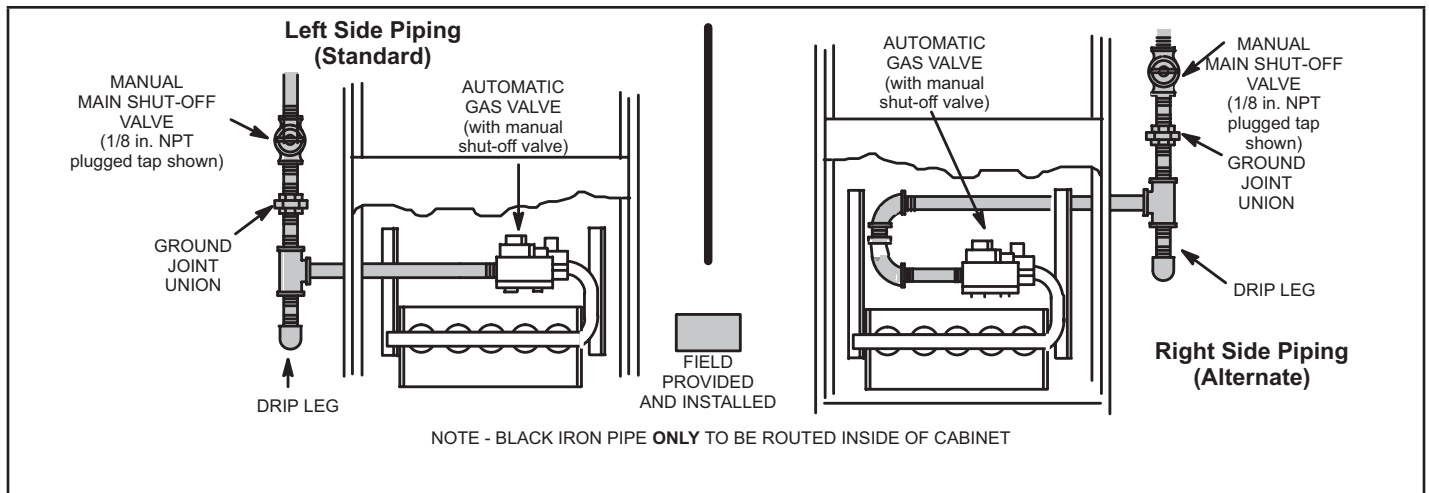


FIGURE 56

TABLE 11

Gas Pipe Capacity - ft³/hr (m³/hr)

| Nominal Iron Pipe Size Inches (mm) | Internal Diameter inches (mm) | Length of Pipe - feet (m) | | | | | | | | | |
|------------------------------------|-------------------------------|---------------------------|---------------|---------------|---------------|---------------|---------------|---------------|---------------|--------------|---------------|
| | | 10 (3.048) | 20 (6.096) | 30 (9.144) | 40 (12.192) | 50 (15.240) | 60 (18.288) | 70 (21.336) | 80 (24.384) | 90 (27.432) | 100 (30.480) |
| 1/2 (12.7) | .622 (17.799) | 172 (4.87) | 118 (3.34) | 95 (2.69) | 81 (2.29) | 72 (2.03) | 65 (1.84) | 60 (1.69) | 56 (1.58) | 52 (1.47) | 50 (1.42) |
| 3/4 (19.05) | .824 (20.930) | 360 (10.19) | 247 (7.000) | 199 (5.63) | 170 (4.81) | 151 (4.23) | 137 (3.87) | 126 (3.56) | 117 (3.31) | 110 (3.11) | 104 (2.94) |
| 1 (25.4) | 1.049 (26.645) | 678 (19.19) | 466 (13.19) | 374 (10.59) | 320 (9.06) | 284 (8.04) | 257 (7.27) | 237 (6.71) | 220 (6.23) | 207 (5.86) | 195 (5.52) |
| 1-1/4 (31.75) | 1.380 (35.052) | 1350 (38.22) | 957 (27.09) | 768 (22.25) | 657 (18.60) | 583 (16.50) | 528 (14.95) | 486 (13.76) | 452 (12.79) | 424 (12.00) | 400 (11.33) |
| 1-1/2 (38.1) | 1.610 (40.894) | 2090 (59.18) | 1430 (40.49) | 1150 (32.56) | 985 (27.89) | 873 (24.72) | 791 (22.39) | 728 (20.61) | 677 (19.17) | 635 (17.98) | 600 (17.00) |
| 2 (50.8) | 2.067 (52.502) | 4020 (113.83) | 2760 (78.15) | 2220 (62.86) | 1900 (53.80) | 1680 (47.57) | 1520 (43.04) | 1400 (39.64) | 1300 (36.81) | 1220 (34.55) | 1160 (32.844) |
| 2-1/2 (63.5) | 2.469 (67.713) | 6400 (181.22) | 4400 (124.59) | 3530 (99.95) | 3020 (85.51) | 2680 (75.88) | 2480 (70.22) | 2230 (63.14) | 2080 (58.89) | 1950 (55.22) | 1840 (52.10) |
| 3 (76.2) | 3.068 (77.927) | 11300 (319.98) | 7780 (220.30) | 6250 (176.98) | 5350 (151.49) | 4740 (134.22) | 4290 (121.47) | 3950 (111.85) | 3670 (103.92) | 3450 (97.69) | 3260 (92.31) |

NOTE - Capacity given in cubic feet (m³) of gas per hour and based on 0.60 specific gravity gas.

Electrical

⚠ WARNING



Electric Shock Hazard. Can cause injury or death. Unit must be properly grounded in accordance with national and local codes.

ELECTROSTATIC DISCHARGE (ESD) Precautions and Procedures

⚠ CAUTION



Electrostatic discharge can affect electronic components. Take precautions to neutralize electrostatic charge by touching your hand and tools to metal prior to handling the control.

⚠ WARNING

Fire Hazard. Use of aluminum wire with this product may result in a fire, causing property damage, severe injury or death. Use copper wire only with this product.

⚠ CAUTION

Failure to use properly sized wiring and circuit breaker may result in property damage. Size wiring and circuit breaker(s) per Product Specifications bulletin (EHB) and unit rating plate.

The unit is equipped with a field make-up box. The make-up box may be moved to the right side of the furnace to facilitate installation. Secure the excess wire to the existing harness to protect it from damage.

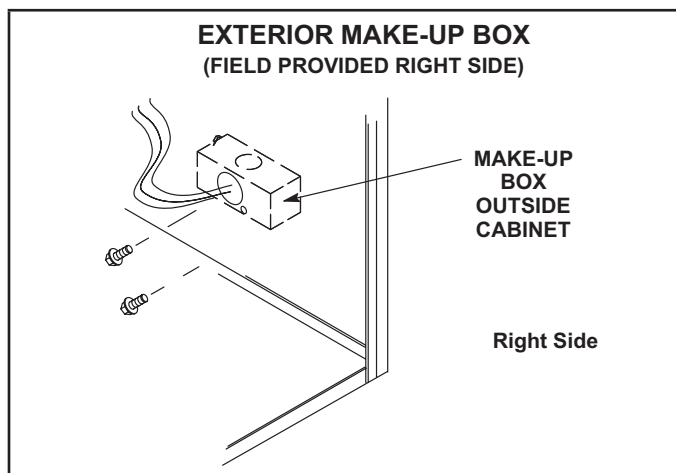


FIGURE 57

Refer to FIGURE 59 and TABLE 15 EL296 Field Wiring Applications With Conventional Thermostat15 for field wiring, schematic wiring diagram and troubleshooting.

The power supply wiring must meet Class I restrictions. Protected by either a fuse or circuit breaker, select circuit protection and wire size according to unit nameplate.

NOTE - Unit nameplate states maximum current draw. Maximum Over-Current Protection allowed is 15 AMP.

Holes are on both sides of the furnace cabinet to facilitate wiring.

Install a separate (properly sized) disconnect switch near the furnace so that power can be turned off for servicing. Before connecting the thermostat check to make sure the wires will be long enough for servicing at a later date. Make sure that thermostat wire is long enough to facilitate future removal of blower for service.

Complete the wiring connections to the equipment Use 18-gauge wire or larger that is suitable for Class II rating for thermostat connections.

Electrically ground the unit according to local codes or, in the absence of local codes, according to the current National Electric Code (ANSI/NFPA No. 70) for the USA and current Canadian Electric Code part 1 (CSA standard C22.1) for Canada. A green ground wire is provided in the field make-up box.

NOTE - The EL296DFE furnace contains electronic components that are polarity sensitive. Make sure that the furnace is wired correctly and is properly grounded.

Accessory Terminals

One line voltage “AAC” 1/4” spade terminal is provided on the furnace integrated control. See FIGURE 58 for integrated control configuration. This terminal is energized when the indoor blower is operating. Any accessory rated up to one amp can be connected to this terminal with the neutral leg of the circuit being connected to one of the provided neutral terminals. If an accessory rated at greater than one amp is connected to this terminal, it is necessary to use an external relay.

An unpowered, normally open (dry) set of contacts with a 1/4” spade terminal “HUM” are provided for humidifier connections and may be connected to 24V or 120V. Any humidifier rated up to one amp can be connected to these terminals. In 120V humidifier applications the neutral leg of the circuit can be connected to one of the provided neutral terminals. This terminal is energized in the heating mode.

Install the room thermostat according to the instructions provided with the thermostat. See FIGURE 59 for thermostat designations. If the furnace is being matched with a heat pump, refer to the FM21 installation instruction or appropriate dual fuel thermostat instructions.

Indoor Blower Speeds

- 1 - When the thermostat is set to "FAN ON," the indoor blower will run continuously on the field selectable fan speed ("LOW HEAT" is default) when there is no cooling or heating demand. See TABLE 21 on page 59 for allowable circulation speeds.
- 2 - When the EL296DFE is running in the heating mode, the indoor blower will run on the "LOW HEAT" or "HIGH HEAT" speed per demand. See TABLE 20 on page 59 for allowable heating speeds.
- 3 - When there is a cooling demand, the indoor blower will run on the "LOW COOL" or "HIGH COOL" speed per demand.

Generator Use - Voltage Requirements

The following requirements must be kept in mind when specifying a generator for use with this equipment:

- The furnace requires 120 volts + 10% (Range: 108 volts to 132 volts).
- The furnace operates at 60 Hz + 5% (Range: 57 Hz to 63 Hz).
- The furnace integrated control requires both polarity and proper ground. Both polarity and proper grounding should be checked before attempting to operate the furnace on either permanent or temporary power.
- Generator should have a wave form distortion of less than 5% THD (total harmonic distortion).

On-Board Links and Diagnostic Push Button (FIGURE 58)

WARNING

Carefully review all configuration information provided. Failure to properly set DIP switches, jumpers and on-board links can result in improper operation!

On-Board Link W914 Dehum

On-board link W914, is a clippable connection between terminals R and DS on the integrated control. W914 must be cut when the furnace is installed with a thermostat which features humidity control. If the link is not cut, terminal "DS" will remain energized not allowing the blower to reduce to low cool speed upon a call for dehumidification.

On-Board Link W951 Heat Pump (R to O)

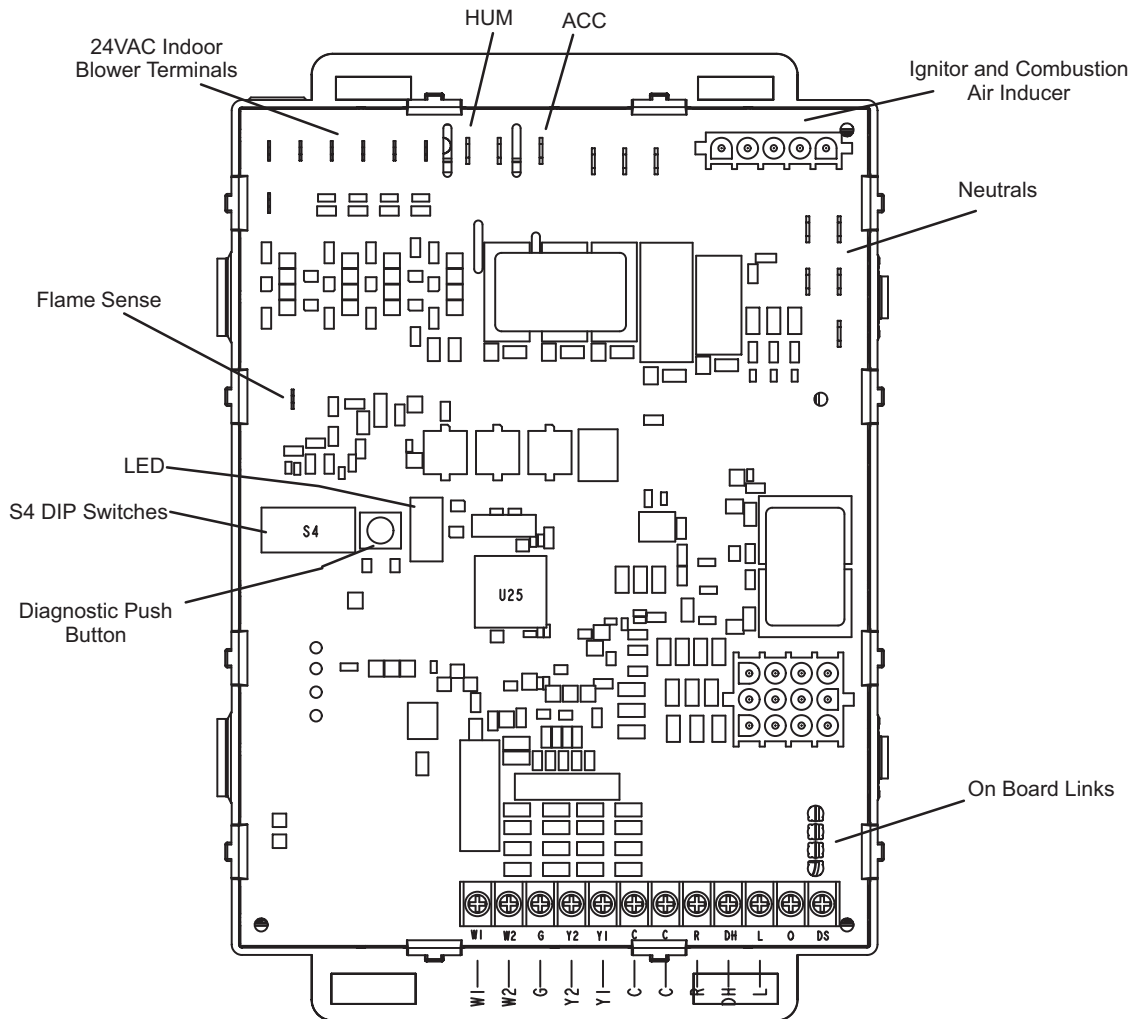
On-board link W951 is a clippable connection between terminals R and O on the integrated control. W951 must be cut when the furnace is installed in applications which include a heat pump unit and a thermostat which features dual fuel use. If the link is left intact, terminal "O" will remain energized eliminating the HEAT MODE in the heat pump.

On-Board Link W915 2 Stage Compr (Y1 to Y2)

On-board link W915 is a clippable connection between terminals Y1 and Y2 on the integrated control. W915 must be cut if two-stage cooling will be used. If the Y1 to Y2 link is not cut the outdoor unit will operate in second-stage cooling only.

Diagnostic Push Button

The diagnostic push button is located adjacent to the seven-segment diagnostic LED. This button is used to enable the Error Code Recall "E" mode and the Flame Signal "F" mode. Press the button and hold it to cycle through a menu of options. Every five seconds a new menu item will be displayed. When the button is released, the displayed item will be selected. Once all items in the menu have been displayed, the menu resumes from the beginning until the button is released.



3/16" QUICK CONNECT TERMINALS

- FLAME SENSE SIGNAL
- HI Cool 24VAC
- HI HEAT 24VAC
- LO COOL 24VAC
- LO HEAT 24VAC
- PARK
- PARK
- COMMON 24VAC

1/4" QUICK CONNECT TERMINALS

- NEUTRALS = 120 VAC NEUTRAL
- HUM = UNPOWERED NORMALLY OPEN (DRY) CONTACTS
- LI = 120 VAC INPUT TO CONTROL
- ACC = 120 VAC OUTPUT TO OPTIONAL ACCESSORY

THERMOSTAT CONNECTIONS (TB1)

- DS = DEHUMIDIFICATION SIGNAL
- W2 = HEAT DEMAND FROM 2ND STAGE T/STAT
- W1 = HEAT DEMAND FROM 1ST STAGE T/STAT
- R = CLASS 2 VOLTAGE TO THERMOSTAT
- G = MANUAL FAN FROM T'STAT
- C = THERMOSTAT SIGNAL GROUND CONNECTED TO TRANSFORMER GRD (TR) & CHASIS GROUND (GRD)
- Y1 = THERMOSTAT 1ST STAGE COOL SIGNAL
- Y2 = THERMOSTAT 2ND STAGE COOL SIGNAL
- O = THERMOSTAT SIGNAL TO HEAT PUMP REVERSING VALVE
- DH = NOT USED
- L = NOT USED

FIGURE 58

Integrated Control DIP Switch Settings

EL296DFE units are equipped with a two-stage integrated control. This control manages ignition timing, heating mode fan off delays and indoor blower speeds based on selections made using the control dip switches and jumpers. The control includes an internal watchdog feature which automatically resets the ignition control when it has been locked out. After one hour of continuous thermostat demand for heat, the watchdog will break and remake thermostat demand to the furnace and automatically reset the control to relight the furnace.

Heating Operation DIP Switch Settings

Switch 1 -- Thermostat Selection -- This unit may be used with either a single-stage or two-stage thermostat. The thermostat selection is made using a DIP switch which must be properly positioned for the particular application. The DIP switch is factory-positioned for use with a two stage thermostat. If a single-stage thermostat is to be used, the DIP switch must be repositioned.

- a. Select "OFF" for two-stage heating operation controlled by a two-stage heating thermostat (factory setting);
- b. Select "ON" for two-stage heating operation controlled by a single-stage heating thermostat. This setting provides a timed delay before second-stage heat is initiated.

Switch 2 -- Second Stage Delay (Used with Single-Stage Thermostat Only) -- This switch is used to determine the second stage on delay when a single-stage thermostat is being used. The switch is factory-set in the OFF position, which provides a 7-minute delay before secondstage heat is initiated. If the switch is toggled to the ON position, it will provide a 12-minute delay before secondstage heat is initiated. This switch is only activated when the thermostat selector jumper is positioned for SINGLEstage thermostat use.

Indoor Blower Operation DIP Switch Settings Switches 3 and 4 -- Heating Mode Blower-Off Delay --

The blower-on delay of 30 seconds is not adjustable. The blower-off delay (time that the blower operates after the heating demand has been satisfied) can be adjusted by moving switches 3 and 4 on the integrated control. The unit is shipped from the factory with a blower-off delay of 90 seconds.

The blower off delay affects comfort and is adjustable to satisfy individual applications. Adjust the blower off delay to achieve a supply air temperature between 90° and 110°F at the exact moment that the blower is de-energized. Longer off delay settings provide lower supply air temperatures; shorter settings provide higher supply air temperatures. TABLE 12 provides the blower off timings that will result from different switch settings.

TABLE 12

Blower Off Heating Mode Delay Switch Settings

| Blower Off Delay Seconds | Switch 3 | Switch 4 |
|--------------------------|----------|----------|
| 60 | On | Off |
| 90 (factory) | Off | Off |
| 120 | Off | On |
| 180 | On | On |

Switch 5 -- Cooling Mode Blower-Off Delay-- The unit is shipped from the factory with the dip switch positioned OFF for a 45 second delay. TABLE 13 provides the cooling mode off delay settings.

TABLE 13

Blower Off Cooling Mode Delay Switch Settings

| Blower Off Delay Seconds | Switch 5 |
|--------------------------|----------|
| 45 (factory) | Off |
| 2 | On |

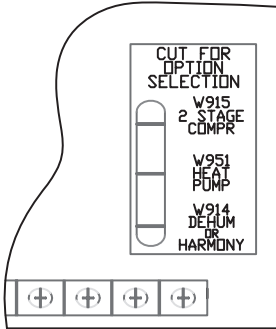
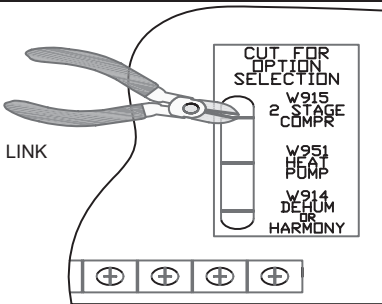
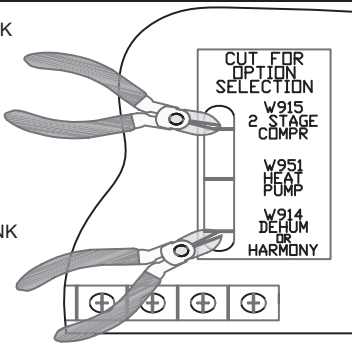
Switches 6 and 7 -- Continuous Fan Mode -- Continuous fan speed can be controlled by changing DIP switch positions. TABLE 14 provides DIP switch settings for continuous fan mode.

TABLE 14

Continuous Fan Mode Settings

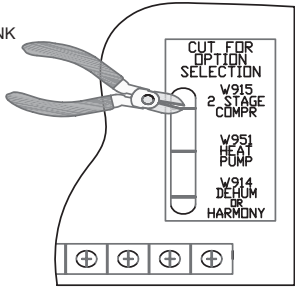
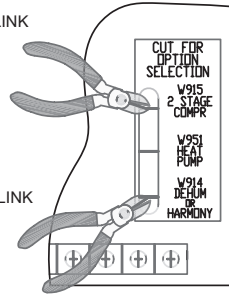
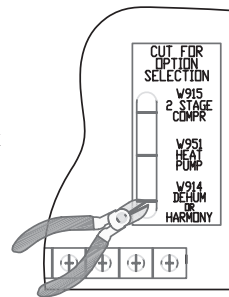
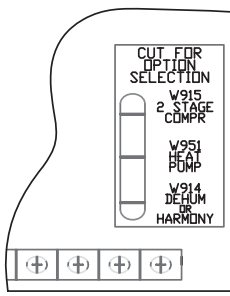
| Continuous Fan Mode | Switch 6 | Switch 7 |
|----------------------------------|----------|----------|
| Low Heat Speed (factory setting) | Off | Off |

TABLE 15
EL296 Field Wiring Applications With Conventional Thermostat

| Thermostat | DIP Switch Settings and On-Board Links | | Wiring Connections | | | | | | | | | | | | | | | | | | | | | | | | | | | | | | |
|--|---|---|---|-----------|---------------------|--------------|----|----|--|----|----|--|----|----|--|---|---|-----|---|---|--|---|---|---|----|----|----|----|----|----|--|---|--|
| | DIP Switch 1 Thermostat Heating Stages | On Board Links Must Be Cut To Select System Options | | | | | | | | | | | | | | | | | | | | | | | | | | | | | | | |
| 1 Heat / 1 Cool <i>NOTE - Use DIP switch 2 to set second-stage heat ON delay. OFF-7 minutes. ON-12 minutes.</i> | ON | DO NOT CUT ANY ON-BOARD LINKS  | <table border="0"> <tr> <td>S1 T'STAT</td> <td>FURNACE TERM. STRIP</td> <td>OUTDOOR UNIT</td> </tr> <tr> <td></td> <td align="center">D8</td> <td></td> </tr> <tr> <td>W2</td> <td align="center">W2</td> <td></td> </tr> <tr> <td>W1</td> <td align="center">W1</td> <td></td> </tr> <tr> <td>R</td> <td align="center">R</td> <td align="center">* R</td> </tr> <tr> <td>G</td> <td align="center">G</td> <td></td> </tr> <tr> <td>C</td> <td align="center">C</td> <td align="center">C</td> </tr> <tr> <td></td> <td align="center">Y2</td> <td></td> </tr> <tr> <td>Y</td> <td align="center">Y1</td> <td align="center">Y1</td> </tr> <tr> <td></td> <td align="center">O</td> <td></td> </tr> </table> | S1 T'STAT | FURNACE TERM. STRIP | OUTDOOR UNIT | | D8 | | W2 | W2 | | W1 | W1 | | R | R | * R | G | G | | C | C | C | | Y2 | | Y | Y1 | Y1 | | O | |
| S1 T'STAT | FURNACE TERM. STRIP | OUTDOOR UNIT | | | | | | | | | | | | | | | | | | | | | | | | | | | | | | | |
| | D8 | | | | | | | | | | | | | | | | | | | | | | | | | | | | | | | | |
| W2 | W2 | | | | | | | | | | | | | | | | | | | | | | | | | | | | | | | | |
| W1 | W1 | | | | | | | | | | | | | | | | | | | | | | | | | | | | | | | | |
| R | R | * R | | | | | | | | | | | | | | | | | | | | | | | | | | | | | | | |
| G | G | | | | | | | | | | | | | | | | | | | | | | | | | | | | | | | | |
| C | C | C | | | | | | | | | | | | | | | | | | | | | | | | | | | | | | | |
| | Y2 | | | | | | | | | | | | | | | | | | | | | | | | | | | | | | | | |
| Y | Y1 | Y1 | | | | | | | | | | | | | | | | | | | | | | | | | | | | | | | |
| | O | | | | | | | | | | | | | | | | | | | | | | | | | | | | | | | | |
| 1 Heat / 2 Cool <i>NOTE - Use DIP switch 2 to set second-stage heat ON delay. OFF-7 minutes. ON-12 minutes.</i> | ON | CUT ON-BOARD LINK W915 2 STAGE COMPR  | <table border="0"> <tr> <td>S1 T'STAT</td> <td>FURNACE TERM. STRIP</td> <td>OUTDOOR UNIT</td> </tr> <tr> <td></td> <td align="center">D8</td> <td></td> </tr> <tr> <td></td> <td align="center">W2</td> <td></td> </tr> <tr> <td>W</td> <td align="center">W1</td> <td></td> </tr> <tr> <td>R</td> <td align="center">R</td> <td align="center">* R</td> </tr> <tr> <td>G</td> <td align="center">G</td> <td></td> </tr> <tr> <td>C</td> <td align="center">C</td> <td align="center">C</td> </tr> <tr> <td>Y2</td> <td align="center">Y2</td> <td align="center">Y2</td> </tr> <tr> <td>Y1</td> <td align="center">Y1</td> <td align="center">Y1</td> </tr> <tr> <td></td> <td align="center">O</td> <td></td> </tr> </table> | S1 T'STAT | FURNACE TERM. STRIP | OUTDOOR UNIT | | D8 | | | W2 | | W | W1 | | R | R | * R | G | G | | C | C | C | Y2 | Y2 | Y2 | Y1 | Y1 | Y1 | | O | |
| S1 T'STAT | FURNACE TERM. STRIP | OUTDOOR UNIT | | | | | | | | | | | | | | | | | | | | | | | | | | | | | | | |
| | D8 | | | | | | | | | | | | | | | | | | | | | | | | | | | | | | | | |
| | W2 | | | | | | | | | | | | | | | | | | | | | | | | | | | | | | | | |
| W | W1 | | | | | | | | | | | | | | | | | | | | | | | | | | | | | | | | |
| R | R | * R | | | | | | | | | | | | | | | | | | | | | | | | | | | | | | | |
| G | G | | | | | | | | | | | | | | | | | | | | | | | | | | | | | | | | |
| C | C | C | | | | | | | | | | | | | | | | | | | | | | | | | | | | | | | |
| Y2 | Y2 | Y2 | | | | | | | | | | | | | | | | | | | | | | | | | | | | | | | |
| Y1 | Y1 | Y1 | | | | | | | | | | | | | | | | | | | | | | | | | | | | | | | |
| | O | | | | | | | | | | | | | | | | | | | | | | | | | | | | | | | | |
| 1 Heat / 2 Cool with t'stat with humidity control <i>NOTE - Use DIP switch 2 to set second-stage heat ON delay. OFF-7 minutes. ON-12 minutes.</i> | ON | CUT ON-BOARD LINK W915 2 STAGE COMPR CUT ON-BOARD LINK W914 DEHUM OR HARMONY  | <table border="0"> <tr> <td>S1 T'STAT</td> <td>FURNACE TERM. STRIP</td> <td>OUTDOOR UNIT</td> </tr> <tr> <td>D8</td> <td align="center">D8</td> <td></td> </tr> <tr> <td></td> <td align="center">W2</td> <td></td> </tr> <tr> <td>W1</td> <td align="center">W1</td> <td></td> </tr> <tr> <td>R</td> <td align="center">R</td> <td align="center">* R</td> </tr> <tr> <td>G</td> <td align="center">G</td> <td></td> </tr> <tr> <td>C</td> <td align="center">C</td> <td align="center">C</td> </tr> <tr> <td>Y2</td> <td align="center">Y2</td> <td align="center">Y2</td> </tr> <tr> <td>Y1</td> <td align="center">Y1</td> <td align="center">Y1</td> </tr> <tr> <td></td> <td align="center">O</td> <td></td> </tr> </table> | S1 T'STAT | FURNACE TERM. STRIP | OUTDOOR UNIT | D8 | D8 | | | W2 | | W1 | W1 | | R | R | * R | G | G | | C | C | C | Y2 | Y2 | Y2 | Y1 | Y1 | Y1 | | O | |
| S1 T'STAT | FURNACE TERM. STRIP | OUTDOOR UNIT | | | | | | | | | | | | | | | | | | | | | | | | | | | | | | | |
| D8 | D8 | | | | | | | | | | | | | | | | | | | | | | | | | | | | | | | | |
| | W2 | | | | | | | | | | | | | | | | | | | | | | | | | | | | | | | | |
| W1 | W1 | | | | | | | | | | | | | | | | | | | | | | | | | | | | | | | | |
| R | R | * R | | | | | | | | | | | | | | | | | | | | | | | | | | | | | | | |
| G | G | | | | | | | | | | | | | | | | | | | | | | | | | | | | | | | | |
| C | C | C | | | | | | | | | | | | | | | | | | | | | | | | | | | | | | | |
| Y2 | Y2 | Y2 | | | | | | | | | | | | | | | | | | | | | | | | | | | | | | | |
| Y1 | Y1 | Y1 | | | | | | | | | | | | | | | | | | | | | | | | | | | | | | | |
| | O | | | | | | | | | | | | | | | | | | | | | | | | | | | | | | | | |

* Not required on all units.

TABLE 15
EL296 Field Wiring Applications With Conventional Thermostat

| Thermostat | DIP Switch Settings and On-Board Links | | Wiring Connections | | | | | | | | | | | | | | | | | | | | | | | | | | | | | | |
|---|--|---|---|--------------|------------------------|-----------------|-----------|------|--|-----------|------|--|-----------|-----------|-----|----------|-----------|-----|----------|----------|-----|-----------|----------|-----|-----------|------|--|-----------|------|------|--|-----|--|
| | DIP Switch 1 Thermostat Heating Stages | On Board Links Must Be Cut To Select System Options | | | | | | | | | | | | | | | | | | | | | | | | | | | | | | | |
| 2 Heat / 2 Cool | OFF | <p>CUT ON-BOARD LINK W915 2 STAGE COMPR</p>  | <table border="0"> <tr> <td>S1 T'STAT</td> <td>FURNACE TERM. STRIP</td> <td>OUTDOOR UNIT</td> </tr> <tr> <td>(W2)-----</td> <td>(W2)</td> <td></td> </tr> <tr> <td>(W1)-----</td> <td>(W1)</td> <td></td> </tr> <tr> <td>(R)-----</td> <td>(R)-----*</td> <td>(R)</td> </tr> <tr> <td>(G)-----</td> <td>(G)</td> <td></td> </tr> <tr> <td>(C)-----</td> <td>(C)-----</td> <td>(C)</td> </tr> <tr> <td>(Y2)-----</td> <td>(Y2)</td> <td></td> </tr> <tr> <td>(Y1)-----</td> <td>(Y1)</td> <td></td> </tr> <tr> <td></td> <td>(O)</td> <td></td> </tr> </table> | S1 T'STAT | FURNACE TERM. STRIP | OUTDOOR UNIT | (W2)----- | (W2) | | (W1)----- | (W1) | | (R)----- | (R)-----* | (R) | (G)----- | (G) | | (C)----- | (C)----- | (C) | (Y2)----- | (Y2) | | (Y1)----- | (Y1) | | | (O) | | | | |
| S1 T'STAT | FURNACE TERM. STRIP | OUTDOOR UNIT | | | | | | | | | | | | | | | | | | | | | | | | | | | | | | | |
| (W2)----- | (W2) | | | | | | | | | | | | | | | | | | | | | | | | | | | | | | | | |
| (W1)----- | (W1) | | | | | | | | | | | | | | | | | | | | | | | | | | | | | | | | |
| (R)----- | (R)-----* | (R) | | | | | | | | | | | | | | | | | | | | | | | | | | | | | | | |
| (G)----- | (G) | | | | | | | | | | | | | | | | | | | | | | | | | | | | | | | | |
| (C)----- | (C)----- | (C) | | | | | | | | | | | | | | | | | | | | | | | | | | | | | | | |
| (Y2)----- | (Y2) | | | | | | | | | | | | | | | | | | | | | | | | | | | | | | | | |
| (Y1)----- | (Y1) | | | | | | | | | | | | | | | | | | | | | | | | | | | | | | | | |
| | (O) | | | | | | | | | | | | | | | | | | | | | | | | | | | | | | | | |
| 2 Heat / 2 Cool with t'stat with humidity control | OFF | <p>CUT ON-BOARD LINK W915 2 STAGE COMPR</p>  <p>CUT ON-BOARD LINK W914 DEHUM OR HARMONY</p> | <table border="0"> <tr> <td>S1 T'STAT</td> <td>FURNACE TERM. STRIP</td> <td>OUTDOOR UNIT</td> </tr> <tr> <td>(DS)-----</td> <td>(DS)</td> <td></td> </tr> <tr> <td>(W2)-----</td> <td>(W2)</td> <td></td> </tr> <tr> <td>(W1)-----</td> <td>(W1)</td> <td></td> </tr> <tr> <td>(R)-----</td> <td>(R)-----*</td> <td>(R)</td> </tr> <tr> <td>(G)-----</td> <td>(G)</td> <td></td> </tr> <tr> <td>(C)-----</td> <td>(C)-----</td> <td>(C)</td> </tr> <tr> <td>(Y2)-----</td> <td>(Y2)</td> <td></td> </tr> <tr> <td>(Y1)-----</td> <td>(Y1)</td> <td></td> </tr> <tr> <td></td> <td>(O)</td> <td></td> </tr> </table> | S1 T'STAT | FURNACE TERM. STRIP | OUTDOOR UNIT | (DS)----- | (DS) | | (W2)----- | (W2) | | (W1)----- | (W1) | | (R)----- | (R)-----* | (R) | (G)----- | (G) | | (C)----- | (C)----- | (C) | (Y2)----- | (Y2) | | (Y1)----- | (Y1) | | | (O) | |
| S1 T'STAT | FURNACE TERM. STRIP | OUTDOOR UNIT | | | | | | | | | | | | | | | | | | | | | | | | | | | | | | | |
| (DS)----- | (DS) | | | | | | | | | | | | | | | | | | | | | | | | | | | | | | | | |
| (W2)----- | (W2) | | | | | | | | | | | | | | | | | | | | | | | | | | | | | | | | |
| (W1)----- | (W1) | | | | | | | | | | | | | | | | | | | | | | | | | | | | | | | | |
| (R)----- | (R)-----* | (R) | | | | | | | | | | | | | | | | | | | | | | | | | | | | | | | |
| (G)----- | (G) | | | | | | | | | | | | | | | | | | | | | | | | | | | | | | | | |
| (C)----- | (C)----- | (C) | | | | | | | | | | | | | | | | | | | | | | | | | | | | | | | |
| (Y2)----- | (Y2) | | | | | | | | | | | | | | | | | | | | | | | | | | | | | | | | |
| (Y1)----- | (Y1) | | | | | | | | | | | | | | | | | | | | | | | | | | | | | | | | |
| | (O) | | | | | | | | | | | | | | | | | | | | | | | | | | | | | | | | |
| 2 Heat / 1 Cool with t'stat with humidity control | OFF | <p>CUT ON-BOARD LINK W914 DEHUM OR HARMONY</p>  | <table border="0"> <tr> <td>S1 T'STAT</td> <td>FURNACE TERM. STRIP</td> <td>OUTDOOR UNIT</td> </tr> <tr> <td>(DS)-----</td> <td>(DS)</td> <td></td> </tr> <tr> <td>(W2)-----</td> <td>(W2)</td> <td></td> </tr> <tr> <td>(W1)-----</td> <td>(W1)</td> <td></td> </tr> <tr> <td>(R)-----</td> <td>(R)-----*</td> <td>(R)</td> </tr> <tr> <td>(G)-----</td> <td>(G)</td> <td></td> </tr> <tr> <td>(C)-----</td> <td>(C)-----</td> <td>(C)</td> </tr> <tr> <td>(Y1)-----</td> <td>(Y1)</td> <td></td> </tr> <tr> <td></td> <td>(O)</td> <td></td> </tr> </table> | S1 T'STAT | FURNACE TERM. STRIP | OUTDOOR UNIT | (DS)----- | (DS) | | (W2)----- | (W2) | | (W1)----- | (W1) | | (R)----- | (R)-----* | (R) | (G)----- | (G) | | (C)----- | (C)----- | (C) | (Y1)----- | (Y1) | | | (O) | | | | |
| S1 T'STAT | FURNACE TERM. STRIP | OUTDOOR UNIT | | | | | | | | | | | | | | | | | | | | | | | | | | | | | | | |
| (DS)----- | (DS) | | | | | | | | | | | | | | | | | | | | | | | | | | | | | | | | |
| (W2)----- | (W2) | | | | | | | | | | | | | | | | | | | | | | | | | | | | | | | | |
| (W1)----- | (W1) | | | | | | | | | | | | | | | | | | | | | | | | | | | | | | | | |
| (R)----- | (R)-----* | (R) | | | | | | | | | | | | | | | | | | | | | | | | | | | | | | | |
| (G)----- | (G) | | | | | | | | | | | | | | | | | | | | | | | | | | | | | | | | |
| (C)----- | (C)----- | (C) | | | | | | | | | | | | | | | | | | | | | | | | | | | | | | | |
| (Y1)----- | (Y1) | | | | | | | | | | | | | | | | | | | | | | | | | | | | | | | | |
| | (O) | | | | | | | | | | | | | | | | | | | | | | | | | | | | | | | | |
| 2 Heat / 1 Cool | OFF | <p>DO NOT CUT ANY ON-BOARD LINKS</p>  | <table border="0"> <tr> <td>S1 T'STAT</td> <td>FURNACE TERM. STRIP</td> <td>OUTDOOR UNIT</td> </tr> <tr> <td></td> <td>(DS)</td> <td></td> </tr> <tr> <td>(W2)-----</td> <td>(W2)</td> <td></td> </tr> <tr> <td>(W1)-----</td> <td>(W1)</td> <td></td> </tr> <tr> <td>(R)-----</td> <td>(R)-----*</td> <td>(R)</td> </tr> <tr> <td>(G)-----</td> <td>(G)</td> <td></td> </tr> <tr> <td>(C)-----</td> <td>(C)-----</td> <td>(C)</td> </tr> <tr> <td></td> <td>(Y2)</td> <td></td> </tr> <tr> <td>(Y)-----</td> <td>(Y1)</td> <td>(Y1)</td> </tr> <tr> <td></td> <td>(O)</td> <td></td> </tr> </table> | S1 T'STAT | FURNACE TERM. STRIP | OUTDOOR UNIT | | (DS) | | (W2)----- | (W2) | | (W1)----- | (W1) | | (R)----- | (R)-----* | (R) | (G)----- | (G) | | (C)----- | (C)----- | (C) | | (Y2) | | (Y)----- | (Y1) | (Y1) | | (O) | |
| S1 T'STAT | FURNACE TERM. STRIP | OUTDOOR UNIT | | | | | | | | | | | | | | | | | | | | | | | | | | | | | | | |
| | (DS) | | | | | | | | | | | | | | | | | | | | | | | | | | | | | | | | |
| (W2)----- | (W2) | | | | | | | | | | | | | | | | | | | | | | | | | | | | | | | | |
| (W1)----- | (W1) | | | | | | | | | | | | | | | | | | | | | | | | | | | | | | | | |
| (R)----- | (R)-----* | (R) | | | | | | | | | | | | | | | | | | | | | | | | | | | | | | | |
| (G)----- | (G) | | | | | | | | | | | | | | | | | | | | | | | | | | | | | | | | |
| (C)----- | (C)----- | (C) | | | | | | | | | | | | | | | | | | | | | | | | | | | | | | | |
| | (Y2) | | | | | | | | | | | | | | | | | | | | | | | | | | | | | | | | |
| (Y)----- | (Y1) | (Y1) | | | | | | | | | | | | | | | | | | | | | | | | | | | | | | | |
| | (O) | | | | | | | | | | | | | | | | | | | | | | | | | | | | | | | | |

* Not required on all units.

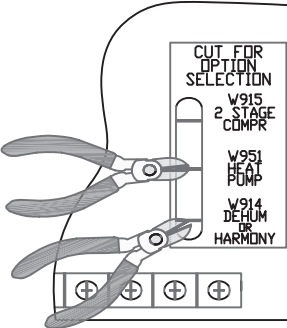
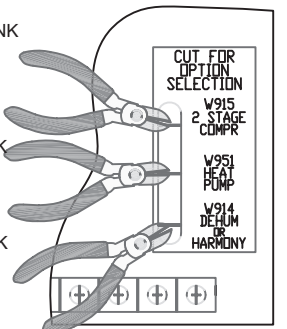
TABLE 15
EL296 Field Wiring Applications With Conventional Thermostat

| Thermostat | DIP Switch Settings and On-Board Links | | Wiring Connections | | | | | | | | | | | | | | | | | | | | | | | | | | | | | | | | | | | | | | | | | | | | | |
|---|---|--|--|--------|------------------------|-----------|---|---|---|---|--|--|----|----|--------|----|----|---|---|---|---|---|--|---|----|----|----|----|--|----|---|---|--|---|----|--|---|----|----------------|---|---|---|---|--|--|---|--|-------------------|
| | DIP Switch 1 Thermostat Heating Stages | On Board Links Must Be Cut To Select System Options | | | | | | | | | | | | | | | | | | | | | | | | | | | | | | | | | | | | | | | | | | | | | | |
| Dual Fuel Single Stage Heat Pump ComfortSense thermostat w/ dual fuel capa- bilities Capable of 2 stage gas heat control | OFF | <p>CUT ON-BOARD LINK W951 HEAT PUMP</p> <p>CUT ON-BOARD LINK W914 DEHUM OR HARMONY</p> | <table border="0"> <tr> <td>T'STAT</td> <td>FURNACE TERM. STRIP</td> <td>HEAT PUMP</td> </tr> <tr> <td>R</td> <td>R</td> <td>R</td> </tr> <tr> <td>H</td> <td></td> <td></td> </tr> <tr> <td>W2</td> <td>W2</td> <td>67M41*</td> </tr> <tr> <td>W1</td> <td>W1</td> <td>↔</td> </tr> <tr> <td>O</td> <td>O</td> <td>O</td> </tr> <tr> <td>L</td> <td></td> <td>L</td> </tr> <tr> <td>Y1</td> <td>Y1</td> <td>Y</td> </tr> <tr> <td>Y2</td> <td></td> <td></td> </tr> <tr> <td>G</td> <td>G</td> <td></td> </tr> <tr> <td>D</td> <td>DS</td> <td></td> </tr> <tr> <td>B</td> <td>Y2</td> <td></td> </tr> <tr> <td>C</td> <td>C</td> <td>C</td> </tr> <tr> <td>T</td> <td></td> <td></td> </tr> <tr> <td>T</td> <td></td> <td>outdoor sensor</td> </tr> </table> | T'STAT | FURNACE TERM. STRIP | HEAT PUMP | R | R | R | H | | | W2 | W2 | 67M41* | W1 | W1 | ↔ | O | O | O | L | | L | Y1 | Y1 | Y | Y2 | | | G | G | | D | DS | | B | Y2 | | C | C | C | T | | | T | | outdoor sensor |
| T'STAT | FURNACE TERM. STRIP | HEAT PUMP | | | | | | | | | | | | | | | | | | | | | | | | | | | | | | | | | | | | | | | | | | | | | | |
| R | R | R | | | | | | | | | | | | | | | | | | | | | | | | | | | | | | | | | | | | | | | | | | | | | | |
| H | | | | | | | | | | | | | | | | | | | | | | | | | | | | | | | | | | | | | | | | | | | | | | | | |
| W2 | W2 | 67M41* | | | | | | | | | | | | | | | | | | | | | | | | | | | | | | | | | | | | | | | | | | | | | | |
| W1 | W1 | ↔ | | | | | | | | | | | | | | | | | | | | | | | | | | | | | | | | | | | | | | | | | | | | | | |
| O | O | O | | | | | | | | | | | | | | | | | | | | | | | | | | | | | | | | | | | | | | | | | | | | | | |
| L | | L | | | | | | | | | | | | | | | | | | | | | | | | | | | | | | | | | | | | | | | | | | | | | | |
| Y1 | Y1 | Y | | | | | | | | | | | | | | | | | | | | | | | | | | | | | | | | | | | | | | | | | | | | | | |
| Y2 | | | | | | | | | | | | | | | | | | | | | | | | | | | | | | | | | | | | | | | | | | | | | | | | |
| G | G | | | | | | | | | | | | | | | | | | | | | | | | | | | | | | | | | | | | | | | | | | | | | | | |
| D | DS | | | | | | | | | | | | | | | | | | | | | | | | | | | | | | | | | | | | | | | | | | | | | | | |
| B | Y2 | | | | | | | | | | | | | | | | | | | | | | | | | | | | | | | | | | | | | | | | | | | | | | | |
| C | C | C | | | | | | | | | | | | | | | | | | | | | | | | | | | | | | | | | | | | | | | | | | | | | | |
| T | | | | | | | | | | | | | | | | | | | | | | | | | | | | | | | | | | | | | | | | | | | | | | | | |
| T | | outdoor sensor | | | | | | | | | | | | | | | | | | | | | | | | | | | | | | | | | | | | | | | | | | | | | | |
| Dual Fuel Two Stage Heat Pump ComfortSense thermostat w/ dual fuel capa- bilities Capable of 2 stage gas heat control | OFF | <p>CUT ON-BOARD LINK W915 2 STAGE COMPR</p> <p>CUT ON-BOARD LINK W951 HEAT PUMP</p> | <table border="0"> <tr> <td>T'STAT</td> <td>FURNACE TERM. STRIP</td> <td>HEAT PUMP</td> </tr> <tr> <td>R</td> <td>R</td> <td>R</td> </tr> <tr> <td>H</td> <td></td> <td></td> </tr> <tr> <td>W2</td> <td>W2</td> <td>67M41*</td> </tr> <tr> <td>W1</td> <td>W1</td> <td>↔</td> </tr> <tr> <td>O</td> <td>O</td> <td>O</td> </tr> <tr> <td>L</td> <td></td> <td>L</td> </tr> <tr> <td>Y1</td> <td>Y1</td> <td>Y1</td> </tr> <tr> <td>Y2</td> <td></td> <td>Y2</td> </tr> <tr> <td>G</td> <td>G</td> <td></td> </tr> <tr> <td>D</td> <td>DS</td> <td></td> </tr> <tr> <td>B</td> <td>Y2</td> <td>Y2 out blue</td> </tr> <tr> <td>C</td> <td>C</td> <td>C</td> </tr> <tr> <td>T</td> <td></td> <td></td> </tr> <tr> <td>T</td> <td></td> <td>outdoor sensor</td> </tr> </table> | T'STAT | FURNACE TERM. STRIP | HEAT PUMP | R | R | R | H | | | W2 | W2 | 67M41* | W1 | W1 | ↔ | O | O | O | L | | L | Y1 | Y1 | Y1 | Y2 | | Y2 | G | G | | D | DS | | B | Y2 | Y2 out blue | C | C | C | T | | | T | | outdoor sensor |
| T'STAT | FURNACE TERM. STRIP | HEAT PUMP | | | | | | | | | | | | | | | | | | | | | | | | | | | | | | | | | | | | | | | | | | | | | | |
| R | R | R | | | | | | | | | | | | | | | | | | | | | | | | | | | | | | | | | | | | | | | | | | | | | | |
| H | | | | | | | | | | | | | | | | | | | | | | | | | | | | | | | | | | | | | | | | | | | | | | | | |
| W2 | W2 | 67M41* | | | | | | | | | | | | | | | | | | | | | | | | | | | | | | | | | | | | | | | | | | | | | | |
| W1 | W1 | ↔ | | | | | | | | | | | | | | | | | | | | | | | | | | | | | | | | | | | | | | | | | | | | | | |
| O | O | O | | | | | | | | | | | | | | | | | | | | | | | | | | | | | | | | | | | | | | | | | | | | | | |
| L | | L | | | | | | | | | | | | | | | | | | | | | | | | | | | | | | | | | | | | | | | | | | | | | | |
| Y1 | Y1 | Y1 | | | | | | | | | | | | | | | | | | | | | | | | | | | | | | | | | | | | | | | | | | | | | | |
| Y2 | | Y2 | | | | | | | | | | | | | | | | | | | | | | | | | | | | | | | | | | | | | | | | | | | | | | |
| G | G | | | | | | | | | | | | | | | | | | | | | | | | | | | | | | | | | | | | | | | | | | | | | | | |
| D | DS | | | | | | | | | | | | | | | | | | | | | | | | | | | | | | | | | | | | | | | | | | | | | | | |
| B | Y2 | Y2 out blue | | | | | | | | | | | | | | | | | | | | | | | | | | | | | | | | | | | | | | | | | | | | | | |
| C | C | C | | | | | | | | | | | | | | | | | | | | | | | | | | | | | | | | | | | | | | | | | | | | | | |
| T | | | | | | | | | | | | | | | | | | | | | | | | | | | | | | | | | | | | | | | | | | | | | | | | |
| T | | outdoor sensor | | | | | | | | | | | | | | | | | | | | | | | | | | | | | | | | | | | | | | | | | | | | | | |

* Connect W1 to W1 ONLY if using defrost tempering kit 67M41

NOTE - **Do NOT** make a wire connection between the room thermostat L terminal and the L terminal of the furnace integrated control.

TABLE 15
EL296 Field Wiring Applications With Conventional Thermostat

| Thermostat | DIP Switch Settings and On-Board Links | | Wiring Connections | | | | | | | | | | | | | | | | | | | | | | | | | | | | | | | | | | | | | | | | | | | | | |
|---|---|--|---|--------|---------------------|-----------|----------|----------|-----|----------|--|--|-----------|-----------|--------|-----------|-----------|-----------------|----------|----------|-----|----------|--|-----|-----------|-----------|------|-----------|--|--|----------|----------|--|----------|-----------|--|----------|-----------|-------------|----------|----------|-----|----------|--|----------------|----------|--|--|
| | DIP Switch 1 Thermostat Heating Stages | On Board Links Must Be Cut To Select System Options | | | | | | | | | | | | | | | | | | | | | | | | | | | | | | | | | | | | | | | | | | | | | | |
| Dual Fuel Single Stage Heat Pump ComfortSense thermostat w/ dual fuel capabilities Capable of 2 stage gas heat control w/dehumidification control | OFF | CUT ON-BOARD LINK W951 HEAT PUMP CUT ON-BOARD LINK W914 DEHUM OR HARMONY  | <table border="0"> <tr> <td>T'STAT</td> <td>FURNACE TERM. STRIP</td> <td>HEAT PUMP</td> </tr> <tr> <td>(R)-----</td> <td>(R)-----</td> <td>(R)</td> </tr> <tr> <td>(H)-----</td> <td></td> <td></td> </tr> <tr> <td>(W2)-----</td> <td>(W2)-----</td> <td>67M41*</td> </tr> <tr> <td>(W1)-----</td> <td>(W1)-----</td> <td>(W1) ← ⚡ → (W1)</td> </tr> <tr> <td>(O)-----</td> <td>(O)-----</td> <td>(O)</td> </tr> <tr> <td>(L)-----</td> <td></td> <td>(L)</td> </tr> <tr> <td>(Y1)-----</td> <td>(Y1)-----</td> <td>(Y)</td> </tr> <tr> <td>(Y2)-----</td> <td></td> <td></td> </tr> <tr> <td>(G)-----</td> <td>(G)-----</td> <td></td> </tr> <tr> <td>(D)-----</td> <td>(DS)-----</td> <td></td> </tr> <tr> <td>(B)-----</td> <td>(Y2)-----</td> <td></td> </tr> <tr> <td>(C)-----</td> <td>(C)-----</td> <td>(C)</td> </tr> <tr> <td>(T)-----</td> <td></td> <td>outdoor sensor</td> </tr> <tr> <td>(T)-----</td> <td></td> <td></td> </tr> </table> | T'STAT | FURNACE TERM. STRIP | HEAT PUMP | (R)----- | (R)----- | (R) | (H)----- | | | (W2)----- | (W2)----- | 67M41* | (W1)----- | (W1)----- | (W1) ← ⚡ → (W1) | (O)----- | (O)----- | (O) | (L)----- | | (L) | (Y1)----- | (Y1)----- | (Y) | (Y2)----- | | | (G)----- | (G)----- | | (D)----- | (DS)----- | | (B)----- | (Y2)----- | | (C)----- | (C)----- | (C) | (T)----- | | outdoor sensor | (T)----- | | |
| T'STAT | FURNACE TERM. STRIP | HEAT PUMP | | | | | | | | | | | | | | | | | | | | | | | | | | | | | | | | | | | | | | | | | | | | | | |
| (R)----- | (R)----- | (R) | | | | | | | | | | | | | | | | | | | | | | | | | | | | | | | | | | | | | | | | | | | | | | |
| (H)----- | | | | | | | | | | | | | | | | | | | | | | | | | | | | | | | | | | | | | | | | | | | | | | | | |
| (W2)----- | (W2)----- | 67M41* | | | | | | | | | | | | | | | | | | | | | | | | | | | | | | | | | | | | | | | | | | | | | | |
| (W1)----- | (W1)----- | (W1) ← ⚡ → (W1) | | | | | | | | | | | | | | | | | | | | | | | | | | | | | | | | | | | | | | | | | | | | | | |
| (O)----- | (O)----- | (O) | | | | | | | | | | | | | | | | | | | | | | | | | | | | | | | | | | | | | | | | | | | | | | |
| (L)----- | | (L) | | | | | | | | | | | | | | | | | | | | | | | | | | | | | | | | | | | | | | | | | | | | | | |
| (Y1)----- | (Y1)----- | (Y) | | | | | | | | | | | | | | | | | | | | | | | | | | | | | | | | | | | | | | | | | | | | | | |
| (Y2)----- | | | | | | | | | | | | | | | | | | | | | | | | | | | | | | | | | | | | | | | | | | | | | | | | |
| (G)----- | (G)----- | | | | | | | | | | | | | | | | | | | | | | | | | | | | | | | | | | | | | | | | | | | | | | | |
| (D)----- | (DS)----- | | | | | | | | | | | | | | | | | | | | | | | | | | | | | | | | | | | | | | | | | | | | | | | |
| (B)----- | (Y2)----- | | | | | | | | | | | | | | | | | | | | | | | | | | | | | | | | | | | | | | | | | | | | | | | |
| (C)----- | (C)----- | (C) | | | | | | | | | | | | | | | | | | | | | | | | | | | | | | | | | | | | | | | | | | | | | | |
| (T)----- | | outdoor sensor | | | | | | | | | | | | | | | | | | | | | | | | | | | | | | | | | | | | | | | | | | | | | | |
| (T)----- | | | | | | | | | | | | | | | | | | | | | | | | | | | | | | | | | | | | | | | | | | | | | | | | |
| Dual Fuel Two Stage Heat Pump ComfortSense thermostat w/ dual fuel capabilities Capable of 2 stage gas heat control w/dehumidification | OFF | CUT ON-BOARD LINK W915 2 STAGE COMPR CUT ON-BOARD LINK W951 HEAT PUMP CUT ON-BOARD LINK W914 DEHUM OR HARMONY  | <table border="0"> <tr> <td>T'STAT</td> <td>FURNACE TERM. STRIP</td> <td>HEAT PUMP</td> </tr> <tr> <td>(R)-----</td> <td>(R)-----</td> <td>(R)</td> </tr> <tr> <td>(H)-----</td> <td></td> <td></td> </tr> <tr> <td>(W2)-----</td> <td>(W2)-----</td> <td>67M41*</td> </tr> <tr> <td>(W1)-----</td> <td>(W1)-----</td> <td>(W1) ← ⚡ → (W1)</td> </tr> <tr> <td>(O)-----</td> <td>(O)-----</td> <td>(O)</td> </tr> <tr> <td>(L)-----</td> <td></td> <td>(L)</td> </tr> <tr> <td>(Y1)-----</td> <td>(Y1)-----</td> <td>(Y1)</td> </tr> <tr> <td>(Y2)-----</td> <td></td> <td></td> </tr> <tr> <td>(G)-----</td> <td>(G)-----</td> <td></td> </tr> <tr> <td>(D)-----</td> <td>(DS)-----</td> <td></td> </tr> <tr> <td>(B)-----</td> <td>(Y2)-----</td> <td>Y2 out blue</td> </tr> <tr> <td>(C)-----</td> <td>(C)-----</td> <td>(C)</td> </tr> <tr> <td>(T)-----</td> <td></td> <td>outdoor sensor</td> </tr> <tr> <td>(T)-----</td> <td></td> <td></td> </tr> </table> | T'STAT | FURNACE TERM. STRIP | HEAT PUMP | (R)----- | (R)----- | (R) | (H)----- | | | (W2)----- | (W2)----- | 67M41* | (W1)----- | (W1)----- | (W1) ← ⚡ → (W1) | (O)----- | (O)----- | (O) | (L)----- | | (L) | (Y1)----- | (Y1)----- | (Y1) | (Y2)----- | | | (G)----- | (G)----- | | (D)----- | (DS)----- | | (B)----- | (Y2)----- | Y2 out blue | (C)----- | (C)----- | (C) | (T)----- | | outdoor sensor | (T)----- | | |
| T'STAT | FURNACE TERM. STRIP | HEAT PUMP | | | | | | | | | | | | | | | | | | | | | | | | | | | | | | | | | | | | | | | | | | | | | | |
| (R)----- | (R)----- | (R) | | | | | | | | | | | | | | | | | | | | | | | | | | | | | | | | | | | | | | | | | | | | | | |
| (H)----- | | | | | | | | | | | | | | | | | | | | | | | | | | | | | | | | | | | | | | | | | | | | | | | | |
| (W2)----- | (W2)----- | 67M41* | | | | | | | | | | | | | | | | | | | | | | | | | | | | | | | | | | | | | | | | | | | | | | |
| (W1)----- | (W1)----- | (W1) ← ⚡ → (W1) | | | | | | | | | | | | | | | | | | | | | | | | | | | | | | | | | | | | | | | | | | | | | | |
| (O)----- | (O)----- | (O) | | | | | | | | | | | | | | | | | | | | | | | | | | | | | | | | | | | | | | | | | | | | | | |
| (L)----- | | (L) | | | | | | | | | | | | | | | | | | | | | | | | | | | | | | | | | | | | | | | | | | | | | | |
| (Y1)----- | (Y1)----- | (Y1) | | | | | | | | | | | | | | | | | | | | | | | | | | | | | | | | | | | | | | | | | | | | | | |
| (Y2)----- | | | | | | | | | | | | | | | | | | | | | | | | | | | | | | | | | | | | | | | | | | | | | | | | |
| (G)----- | (G)----- | | | | | | | | | | | | | | | | | | | | | | | | | | | | | | | | | | | | | | | | | | | | | | | |
| (D)----- | (DS)----- | | | | | | | | | | | | | | | | | | | | | | | | | | | | | | | | | | | | | | | | | | | | | | | |
| (B)----- | (Y2)----- | Y2 out blue | | | | | | | | | | | | | | | | | | | | | | | | | | | | | | | | | | | | | | | | | | | | | | |
| (C)----- | (C)----- | (C) | | | | | | | | | | | | | | | | | | | | | | | | | | | | | | | | | | | | | | | | | | | | | | |
| (T)----- | | outdoor sensor | | | | | | | | | | | | | | | | | | | | | | | | | | | | | | | | | | | | | | | | | | | | | | |
| (T)----- | | | | | | | | | | | | | | | | | | | | | | | | | | | | | | | | | | | | | | | | | | | | | | | | |

* Connect W1 to W1 ONLY if using defrost tempering kit 67M41

NOTE - Do NOT make a wire connection between the room thermostat L terminal and the L terminal of the furnace integrated control.

TYPICAL EL296DFE WIRING DIAGRAM

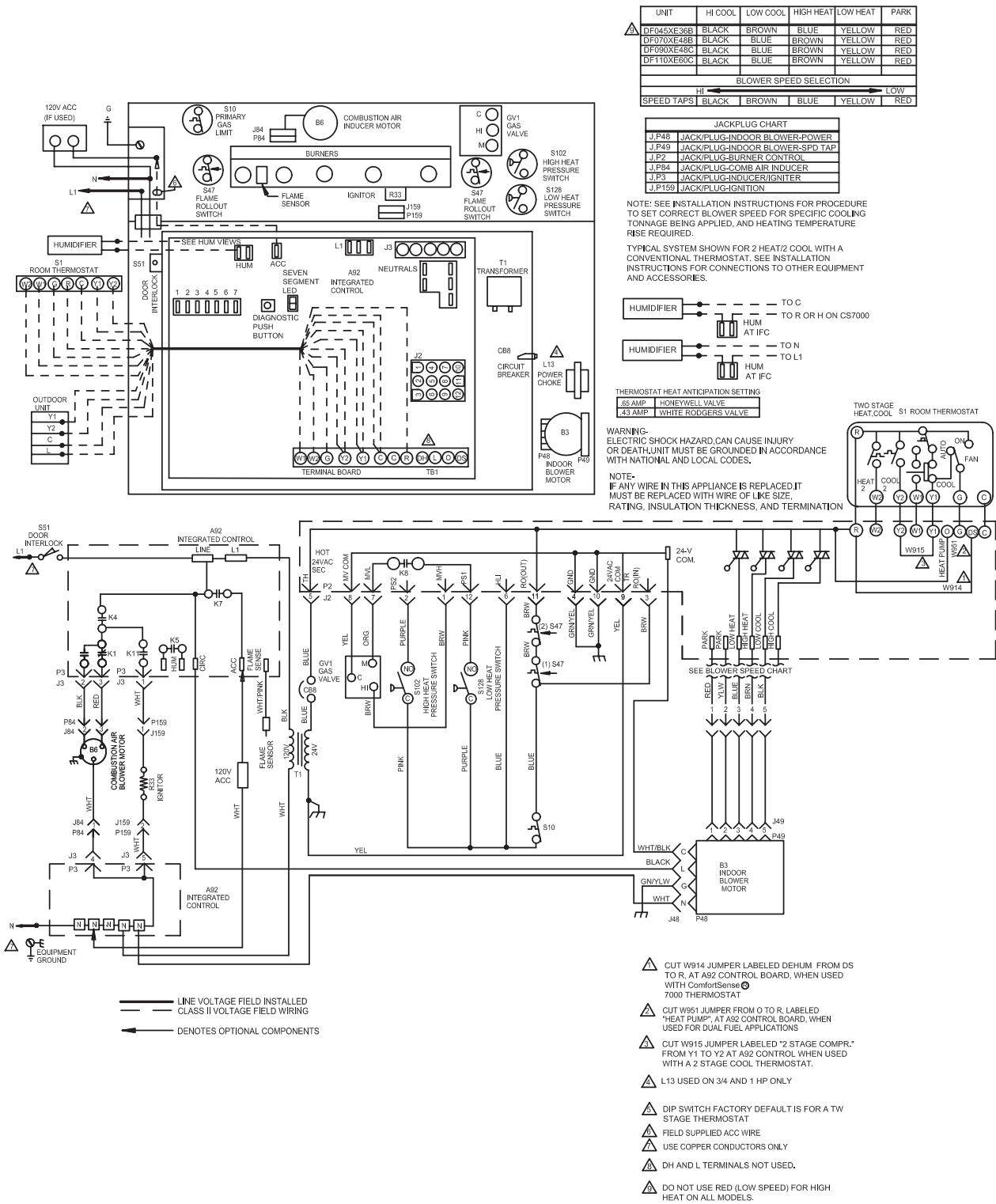


FIGURE 59

Unit Start-Up

FOR YOUR SAFETY READ BEFORE OPERATING

⚠ WARNING

Do not use this furnace if any part has been underwater. A flood-damaged furnace is extremely dangerous. Attempts to use the furnace can result in fire or explosion. Immediately call a qualified service technician to inspect the furnace and to replace all gas controls, control system parts, and electrical parts that have been wet or to replace the furnace, if deemed necessary.

⚠ CAUTION

Before attempting to perform any service or maintenance, turn the electrical power to unit OFF at disconnect switch.

⚠ WARNING



Danger of explosion. Can cause injury or product or property damage. If overheating occurs or if gas supply fails to shut off, shut off the manual gas valve to the appliance before shutting off electrical supply.

BEFORE LIGHTING the unit, smell all around the furnace area for gas. Be sure to smell next to the floor because some gas is heavier than air and will settle on the floor.

The gas valve on the EL296DFE is equipped with a gas control switch. Use only your hand to move switch. Never use tools. If the switch will not move by hand, do not try to repair it. Force or attempted repair may result in a fire or explosion.

Placing the furnace into operation:

EL296DFE units are equipped with an automatic hot surface ignition system. Do not attempt to manually light burners on this furnace. Each time the thermostat calls for heat, the burners will automatically light. The ignitor does not get hot when there is no call for heat on these units.

Priming Condensate Trap

The condensate trap should be primed with water prior to start-up to ensure proper condensate drainage. Either pour 10 fl. oz. (300 ml) of water into the trap, or follow these steps to prime the trap:

- 1 - Follow the lighting instructions to place the unit into operation.
- 2 - Set the thermostat to initiate a heating demand.
- 3 - Allow the burners to fire for approximately 3 minutes.
- 4 - Adjust the thermostat to deactivate the heating demand.
- 5 - Wait for the combustion air inducer to stop. Set the thermostat to initiate a heating demand and again allow the burners to fire for approximately 3 minutes.

- 6 - Adjust the thermostat to deactivate the heating demand and wait for the combustion air inducer to stop. At this point, the trap should be primed with sufficient water to ensure proper condensate drain operation.

⚠ WARNING

If you do not follow these instructions exactly, a fire or explosion may result causing property damage, personal injury or death.

Gas Valve Operation (FIGURE 60)

- 1 - STOP! Read the safety information at the beginning of this section.
- 2 - Set the thermostat to the lowest setting.
- 3 - Turn off all electrical power to the unit.
- 4 - This furnace is equipped with an ignition device which automatically lights the burners. Do not try to light the burners by hand.
- 5 - Remove the access panel.
- 6 - Move gas valve switch to OFF. See FIGURE 60.
- 7 - Wait five minutes to clear out any gas. If you then smell gas, STOP! Immediately call your gas supplier from a neighbor's phone. Follow the gas supplier's instructions. If you do not smell gas go to next step.
- 8 - Move gas valve switch to ON. See FIGURE 60.
- 9 - Replace the access panel.
- 10 - Turn on all electrical power to the unit.
- 11 - Set the thermostat to desired setting.

NOTE - When unit is initially started, steps 1 through 11 may need to be repeated to purge air from gas line.

- 12 - If the appliance will not operate, follow the instructions "Turning Off Gas to Unit" and call your service technician or gas supplier.

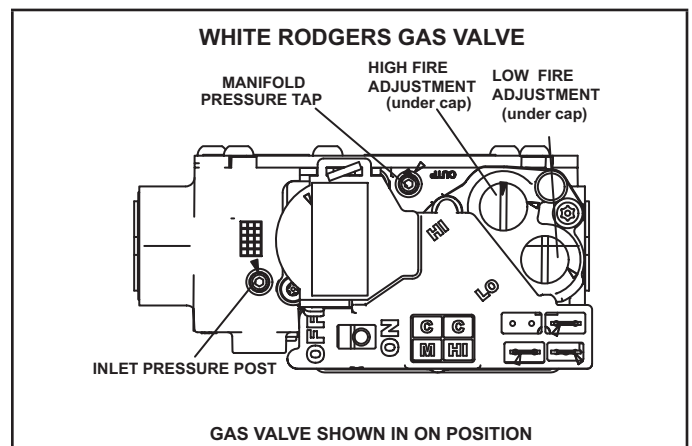


FIGURE 60

Turning Off Gas to Unit

- 1 - Set the thermostat to the lowest setting.
- 2 - Turn off all electrical power to the unit if service is to be performed.
- 3 - Remove the access panel.

- 4 - Move gas valve switch to OFF.
- 5 - Replace the access panel.

Failure To Operate

If the unit fails to operate, check the following:

- 1 - Is the thermostat calling for heat?
- 2 - Are access panels securely in place?
- 3 - Is the main disconnect switch closed?
- 4 - Is there a blown fuse or tripped breaker?
- 5 - Is the filter dirty or plugged? Dirty or plugged filters will cause the limit control to shut the unit off.
- 6 - Is gas turned on at the meter?
- 7 - Is the manual main shut-off valve open?
- 8 - Is the internal manual shut-off valve open?
- 9 - Is the unit ignition system in lockout? If the unit locks out again, inspect the unit for blockages.

Heating Sequence Of Operation

- 1 - When thermostat calls for heat, combustion air inducer starts.
- 2 - Combustion air pressure switch proves blower operation. Switch is factory-set and requires no adjustment.
- 3 - After a 15-second prepurge, the hot surface ignitor energizes.
- 4 - After a 20-second ignitor warm-up period, the gas valve solenoid opens. A 4-second Trial for Ignition period begins.”
- 5 - Gas is ignited, flame sensor proves the flame, and the combustion process continues.
- 6 - If flame is not detected after first ignition trial, the ignition control will repeat steps 3 and 4 four more times before locking out the gas valve (“WATCHGUARD” flame failure mode). The ignition control will then automatically repeat steps 1 through 6 after 60 minutes. To interrupt the 60-minute “WATCHGUARD” period, move thermostat from “Heat” to “OFF” then back to “Heat”. Heating sequence then restarts at step 1.

Gas Pressure Adjustment

Gas Flow (Approximate)

TABLE 16

| GAS METER CLOCKING CHART | | | | |
|--|----------------------------|-----------------|-----------------|-----------------|
| EL296 Unit | Seconds for One Revolution | | | |
| | Natural | | LP | |
| | 1 cu ft Dial | 2 cu ft Dial | 1 cu ft Dial | 2 cu ft Dial |
| -045 | 80 | 160 | 200 | 400 |
| -070 | 55 | 110 | 136 | 272 |
| -090 | 41 | 82 | 102 | 204 |
| -110 | 33 | 66 | 82 | 164 |
| Natural-1000 btu/cu ft LP-2500 btu/cu ft | | | | |

NOTE - To obtain accurate reading, shut off all other gas appliances connected to meter.

Furnace should operate at least 5 minutes before checking gas flow. Determine time in seconds for two revolutions of gas through the meter. (Two revolutions assures a more accurate time). Divide by two and compare to time in TABLE 16. If manifold pressure matches TABLE 18 and rate is incorrect, check gas orifices for proper size and restriction. Remove temporary gas meter if installed.

Supply Pressure Measurement

An inlet pressure post located on the gas valve provides access to the supply pressure. See FIGURE 60. Back out the 3/32 hex screw one turn, connect a piece of 5/16 tubing and connect to a manometer to measure supply pressure. See TABLE 18 for supply line pressure.

Manifold Pressure Measurement

A manifold pressure post located on the gas valve provides access to the manifold pressure. See FIGURE 60. Back out the 3/32 hex screw one turn, connect a piece of 5/16 tubing and connect to a manometer to measure manifold pressure.

To correctly measure manifold pressure, the differential pressure between the positive gas manifold and the negative burner box must be considered.

NOTE - Pressure test adapter kit (10L34) is available from Lennox to facilitate manifold pressure measurement.

- 1 - Connect the test gauge positive side “+” to manifold pressure tap on gas valve as noted above.
- 2 - Tee into the gas valve regulator vent hose and connect to test gauge negative “-”.
- 3 - Ignite unit on low fire and let run for 5 minutes to allow for steady state conditions.
- 4 - After allowing unit to stabilize for 5 minutes, record manifold pressure and compare to value given in TABLE 18.
- 5 - If necessary, make adjustments. FIGURE 60 shows location of high fire and low fire adjustment screws.
- 6 - Repeat steps 3, 4 and 5 on high fire. See values in TABLE 18.
- 7 - Shut unit off and remove manometer as soon as an accurate reading has been obtained. Turn the supply and manifold 3/32” hex screw one revolution back into the gas valve.
- 8 - Start unit and perform leak check. Seal leaks if found.

Proper Combustion

Furnace should operate minimum 15 minutes with correct manifold pressure and gas flow rate before checking combustion. Take combustion sample beyond the flue outlet and compare to the table below. **The maximum carbon monoxide reading should not exceed 100 ppm.**

TABLE 17

| EL296 Model | CO ₂ % For Nat | | CO ₂ % For L.P | |
|----------------|---------------------------|-----------|---------------------------|------------|
| | Low Fire | High Fire | Low Fire | High Fire |
| 045 | 5.6 - 6.6 | 7.8 - 8.8 | 6.6 - 7.6 | 9.1 - 10.1 |
| 070 | 5.5 - 6.5 | 7.3 - 8.3 | 6.5 - 7.5 | 8.6 - 9.6 |
| 090 | 5.9 - 6.9 | 7.8 - 8.8 | 6.9 - 7.9 | 9.1 - 10.1 |
| 110 | 6.3 - 7.3 | 8.2 - 9.2 | 7.3 - 8.3 | 9.5 - 10.5 |

The maximum carbon monoxide reading should not exceed 100ppm.

High Altitude Information

NOTE - In Canada, certification for installations at elevations over 4500 feet (1372 m) is the jurisdiction of local authorities.

Units may be installed at altitudes up to 10,000 ft. above sea level without manifold adjustment. Units installed at altitude of 4501 - 10,000 feet (1373 to 3048m) may require a pressure switch change which can be ordered separately. TABLE 19 lists conversion kit and pressure switch requirements at varying altitudes.

The combustion air pressure switch is factory-set and requires no adjustment.

TABLE 18

Manifold and Supply Line Pressure 0-10,000ft.

| Unit | Gas | Manifold Pressure in. wg. | | | | | | | | | | Supply Line Pressure in. wg 0 - 10,000 ft. | |
|--------------|----------------|---------------------------|-----------|-----------------|-----------|----------------|-----------|----------------|-----------|------------------|-----------|---|------|
| | | 0 - 4500 ft | | 4501 - 5500 ft. | | 5501 - 6500 ft | | 6501 - 7500 ft | | 7501 - 10,000 ft | | Min | Max |
| | | Low Fire | High Fire | Low Fire | High Fire | Low Fire | High Fire | Low Fire | High Fire | Low Fire | High Fire | | |
| All Sizes | Natural | 1.7 | 3.5 | 1.6 | 3.3 | 1.5 | 3.2 | 1.5 | 3.1 | 1.7 | 3.5 | 4.5 | 13.0 |
| | LP/ Propane | 4.5 | 10.0 | 4.2 | 9.4 | 4.0 | 9.1 | 3.9 | 8.9 | 4.5 | 10.0 | 11.0 | 13.0 |

NOTE - A natural to L.P. propane gas changeover kit is necessary to convert this unit. Refer to the changeover kit installation instruction for the conversion procedure.

TABLE 19

Conversion Kit and Pressure Switch Requirements at Varying Altitudes

| Unit | Natural to LP/Propane | High Altitude Natural Burner Orifice Kit | High Altitude LP/Propane Burner Orifice Kit | High Altitude Pressure Switch | |
|------|-----------------------|--|---|-------------------------------|------------------|
| | 0 - 7500 ft | 7501 - 10,000 ft | 7501 - 10,000 ft | 4501 - 7500 ft | 7501 - 10,000 ft |
| 045 | *11K51 | 73W37 | *11K46 | 14A47 | 14A50 |
| 070 | | | | 14A55 | 14A56 |
| 090 | | | | 14A54 | 14A53 |
| 110 | | | | 14A46 | 14A51 |

* Conversion requires installation of a gas valve manifold spring which is provided with the gas conversion kit. Pressure switch is factory set. No adjustment necessary. All models use the factory-installed pressure switch from 0-4500 feet (0-1370 m).

⚠ WARNING

CARBON MONOXIDE POISONING HAZARD!

Failure to follow the steps outlined below for each appliance connected to the venting system being placed into operation could result in carbon monoxide poisoning or death.

The following steps shall be followed for each appliance connected to the venting system being placed into operation, while all other appliances connected to the venting system are not in operation.

After the EL296DFE gas furnace has been started, the following test should be conducted to ensure proper venting and sufficient combustion air has been provided to the EL296DFE as well as to other gas-fired appliances which are separately vented.

If a EL296DFE furnace replaces a Category I furnace which was commonly vented with another gas appliance, the size of the existing vent pipe for that gas appliance must be checked. Without the heat of the original furnace flue products, the existing vent pipe is probably oversized for the single water heater or other appliance. The vent should be checked for proper draw with the remaining appliance. The test should be conducted while all appliances (both in operation and those not in operation) are connected to the venting system being tested. If the venting system has been installed improperly, or if provisions have not been made for sufficient amounts of combustion air, corrections must be made as outlined in the previous section.

- 1 - Seal any unused openings in the venting system.
- 2 - Visually inspect the venting system for proper size and horizontal pitch. Determine there is no blockage or restriction, leakage, corrosion, or other deficiencies which could cause an unsafe condition.

- 3 - To the extent that it is practical, close all building doors and windows and all doors between the space in which the appliances connected to the venting system are located and other spaces of the building.
- 4 - Close fireplace dampers.
- 5 - Turn on clothes dryers and any appliances not connected to the venting system. Turn on any exhaust fans, such as range hoods and bathroom exhausts, so they will operate at maximum speed. Do not operate a summer exhaust fan.
- 6 - Follow the lighting instruction to place the appliance being inspected into operation. Adjust thermostat so appliance will operate continuously.
- 7 - Use the flame of match or candle to test for spillage of flue gases at the draft hood relief opening after 5 minutes of main burner operation.
- 8 - If improper venting is observed during any of the above tests, the venting system must be corrected or sufficient combustion/make-up air must be provided. The venting system should be re-sized to approach the minimum size as determined by using the appropriate tables in appendix G in the current standards of the National Fuel Gas Code ANSI-Z223.1/NPFA 54 in the U.S.A., and the appropriate Natural Gas and Propane appliances venting sizing tables in the current standard of the CSA-B149 Natural Gas and Propane Installation Codes in Canada.
- 9 - After determining that each appliance remaining connected to the common venting system properly vents when tested as indicated in step 3, return doors, windows, exhaust fans, fireplace dampers and any other gas-burning appliance to their previous condition of use.

Other Unit Adjustments

NOTE - See troubleshooting flow charts if any safety switches are found to be open.

Primary Limit

The primary limit is located on the heating compartment vestibule panel. This limit is factory set and requires no adjustment.

Flame Rollout Switches (Two)

These manually reset switches are located on the front of the burner box.

Pressure Switch

The pressure switch is located in the heating compartment on the cold end header box. This switch checks for proper combustion air inducer operation before allowing ignition trial. The switch is factory-set and must not be adjusted.

Temperature Rise

Place the unit into operation with a second-stage heating demand. After supply and return air temperatures have stabilized, check the temperature rise. If necessary, adjust the heating blower speed to maintain the temperature rise within the range shown on the unit nameplate. See TABLE 20 on page 59 for allowable heating speeds. Increase the blower speed to decrease the temperature rise. Decrease the blower speed to increase the temperature rise. Failure to properly adjust the temperature rise may cause erratic limit operation.

Electrical

- 1 - Check all wiring for loose connections.
- 2 - Check for the correct voltage at the furnace (furnace operating). Correct voltage is 120VAC + 10%
- 3 - Check amp-draw on the blower motor with blower access panel in place.

Motor Nameplate _____ Actual _____

Exhaust and Air Intake Pipe

- 1 - Check exhaust and air intake connections for tightness and to make sure there is no blockage.
- 2 - Is pressure switch closed? Obstructed exhaust pipe will cause unit to shut off at pressure switch. Check termination for blockages.
- 3 - Obstructed pipe or termination may cause rollout switches to open. Reset manual flame rollout

Heating Sequence of Operation

Electronic Ignition

The two-stage, variable speed integrated control used in EL296DFE units has an added feature of an internal Watchguard control. The feature serves as an automatic reset device for ignition control lockout caused by ignition failure. After one hour of continuous thermostat demand for heat, the Watchguard will break and remake thermostat demand to the furnace and automatically reset the control to begin the ignition sequence.

NOTE - The ignition control thermostat selection DIP switch is factory-set in the "TWO-STAGE" position.

Applications Using a Two-Stage Thermostat

A - Heating Sequence -- Integrated Control Thermostat Selection DIP Switch 1 OFF in "Two-Stage" Position (Factory Setting)

- 1 - On a call for heat, thermostat first-stage contacts close sending a signal to the integrated control. The integrated control runs a self-diagnostic program and checks high temperature limit switches for normally closed contacts and pressure switches for normally open contacts. The combustion air inducer is energized at low speed.
- 2 - Once the control receives a signal that the low pressure switch has closed, the combustion air inducer begins a 15-second pre-purge in low speed.
NOTE - If the low fire pressure switch does not close the combustion air inducer will switch to high fire. After a 15 second pre-purge the high fire pressure switch will close and the unit will begin operation on high fire. After 10 to 20 seconds of high fire operation the unit will switch to low fire..
- 3 - After the pre-purge is complete, a 20-second initial ignitor warm-up period begins. The combustion air inducer continues to operate at low speed.
- 4 - After the 20-second warm-up period has ended, the gas valve is energized on low fire (first stage) and ignition occurs. At the same time, the control module sends a signal to begin an indoor blower 30-second ON-delay. When the delay ends, the indoor blower motor is energized on the low fire heating speed, the HUM contacts close energizing the humidifier and 120V ACC terminal is energized. The furnace will continue this operation as long as the thermostat has a first-stage heating demand.
- 5 - If second-stage heat is required, the thermostat second-stage heat contacts close and send a signal to the integrated control. The integrated control initiates a 30-second second-stage recognition delay.
- 6 - At the end of the recognition delay, the integrated control energizes the combustion air inducer at high speed. The control also checks the high fire (second stage) pressure switch to make sure it is closed. The high fire (second stage) gas valve is energized and the indoor blower motor is energized for operation at the high fire heating speed.
- 7 - When the demand for high fire (second stage) heat is satisfied, the combustion air inducer is switched to the low-fire heating speed and the high-fire (second stage) gas valve is de-energized. The low-fire (first stage) gas valve continues operation. The indoor blower motor is switched to the low-fire heating speed.
- 8 - When the thermostat demand for low-fire (first stage) heat is satisfied, the gas valve is de-energized and the field-selected indoor blower off delay begins. The combustion air inducer begins a 5-second post-purge period.
- 9 - When the combustion air post-purge period is complete, the inducer and the HUM contacts are de-energized. The indoor blower is de-energized at the end of the off delay as well as the 120V ACC terminal.

Applications Using A Single-Stage Thermostat

B - Heating Sequence -- Integrated Control Thermostat Selection DIP Switch 1 ON in "Single-Stage" Position

NOTE - In these applications, two-stage heat will be initiated by the integrated control if heating demand has not been satisfied after the field adjustable period (7 or 12 minutes).

- 1 - On a call for heat, thermostat first-stage contacts close sending a signal to the integrated control. The integrated control runs a self- diagnostic program and checks high temperature limit switches for normally closed contacts and pressure switches for normally open contacts. The combustion air inducer is energized at low speed.
- 2 - Once the control receives a signal that the low pressure switch has closed, the combustion air inducer begins a 15-second pre-purge in low speed.
NOTE - If the low fire pressure switch does not close the combustion air inducer will switch to high fire. After a 15 second pre-purge the high fire pressure switch will close and the unit will begin operation on high fire. After 10 to 20 seconds of high fire operation the unit will switch to low fire.
- 3 - After the pre-purge is complete, a 20-second initial ignitor warm-up period begins. The combustion air inducer continues to operate at low speed.
- 4 - After the 20-second warm-up period has ended, the gas valve is energized on low fire (first stage) and ignition occurs. At the same time, the control module sends a signal to begin an indoor blower 30-second ON-delay. When the delay ends, the indoor blower motor is energized on the low fire heating speed and the HUM contacts are energized. The integrated control also initiates a second-stage on delay (factory-set at 7 minutes; adjustable to 12 minutes).
- 5 - If the heating demand continues beyond the secondstage on delay, the integrated control energizes the combustion air inducer at high speed. The control also checks the high fire (second stage) pressure switch to make sure it is closed. The high fire (second stage) gas valve is energized and the indoor blower motor is energized for operation at the high fire heating speed.
- 6 - When the thermostat heating demand is satisfied, the combustion air inducer begins a 5-second low speed post-purge. The field-selected indoor blower off delay begins. The indoor blower operates at the low-fire heating speed.
- 7 - When the combustion air post-purge period is complete, the inducer and the HUM contacts are de-energized. The indoor blower is de-energized at the end of the off delay as well as the 120V ACC terminal.

Service

WARNING

**ELECTRICAL SHOCK, FIRE,
OR EXPLOSION HAZARD.**

Failure to follow safety warnings exactly could result in dangerous operation, serious injury, death or property damage. Improper servicing could result in dangerous operation, serious injury, death, or property damage.

Before servicing, disconnect all electrical power to furnace. When servicing controls, label all wires prior to disconnecting. Take care to reconnect wires correctly. Verify proper operation after servicing.

WARNING

The blower access panel must be securely in place when the blower and burners are operating. Gas fumes, which could contain carbon monoxide, can be drawn into living space resulting in personal injury or death.

Annual Furnace Maintenance

At the beginning of each heating season, and to comply with the **Lennox Limited Warranty**, your system should be checked as follows:

WARNING

Improper service or maintenance can cause property damage, personal injury or loss of life. Installation and service must be performed by a licensed professional HVAC installer (or equivalent), service agency or the gas supplier.

- 1 - Check wiring for loose connections, voltage at indoor unit and amperage of indoor motor.
- 2 - Check the condition of the belt and shaft bearings if applicable.
- 3 - Inspect all gas pipe and connections for leaks.
- 4 - Check the cleanliness of filters and change if necessary (monthly).
- 5 - Check the condition and cleanliness of burners and heat exchanger and clean if necessary.
- 6 - Check the cleanliness of blower assembly and clean the housing, blower wheel and blower motor if necessary
- 7 - Inspect the condensate drain and trap for leaks and cracks. The drain and trap must also be cleaned and the trap must be primed with water. Inspect the rubber hoses connected to the pressure switches for cracks or loose connections, replace as necessary. Remove the rubber hoses from the cold end header box and inspect for any blockage, clean as needed. If strainers are installed in the hoses remember to remove and clean before reinstalling the hoses.

- 8- Evaluate the heat exchanger integrity by inspecting the heat exchanger per the AHRI heat exchanger inspection procedure. This procedure can be viewed at www.ahrinet.org
- 9- Ensure sufficient combustion air is available to the furnace. Fresh air grilles and louvers (on the unit and in the room where the furnace is installed) must be properly sized, open and unobstructed to provide combustion air.
- 10- Inspect the furnace intake and exhaust pipes to make sure they are in place, structurally sound, without holes, blockage or leakage and the exhaust pipe is sloped toward the furnace. Inspect terminations to ensure they are free of obstructions and are structurally sound. Inspect the furnace return air duct connection to ensure the duct is sealed to the furnace. Check for air leaks on supply and return ducts and seal where necessary.
- 11- Inspect the furnace return air duct connection to ensure the duct is sealed to the furnace. Check for air leaks on supply and return ducts and seal where necessary.
- 12- Check the condition of the furnace cabinet insulation and repair if necessary.
- 13- Perform a complete combustion analysis during the furnace inspection to ensure proper combustion and operation. Consult Service Literature for proper combustion values.
- 14- Verify operation of CO detectors and replace batteries as required.

Perform a general system test. Turn on the furnace to check operating functions such as the start-up and shut-off operation.

- 1 - Check the operation of the ignition system, inspect and clean flame sensor. Check microamps before and after. Check controls and safety devices (gas valve, flame sensor, temperature limits). Consult Service Manual for proper operating range. Thermal Limits should be checked by restricting airflow and not disconnecting the indoor blower. For additional details, please see Service and Application Note H049.
- 2 - Verify that system total static pressure and airflow settings are within specific operating parameters.
- 3 - Clock gas meter to ensure that the unit is operating at the specified firing rate for each stage of operation. Check the supply pressure and the manifold pressure on both low fire and high fire. If manifold pressure adjustment is necessary, consult the Service Literature for unit specific information on adjusting gas pressure. Not all gas valves are adjustable. Verify correct temperature rise.

Winterizing and Condensate Trap Care

- 1 - Turn off power to the furnace.
- 2 - Have a shallow pan ready to empty condensate water.
- 3 - Remove the clean out cap from the condensate trap and empty water. Inspect the trap then reinstall the drain plug.

Cleaning the Burner Assembly (if needed)

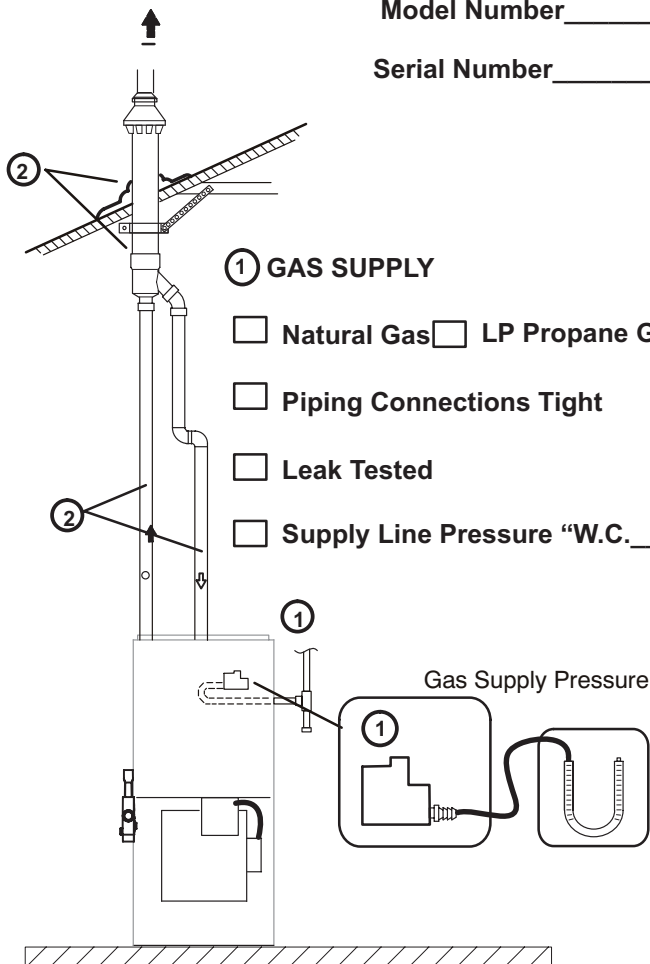
- 1 - Turn off electrical and gas power supplies to furnace. Remove upper and lower furnace access panels.
- 2 - Disconnect the 2-pin plug from the gas valve.
- 3 - Remove the burner box cover (if equipped).
- 4 - Disconnect the gas supply line from the gas valve. Remove gas valve/manifold assembly.
- 5 - Loosen clamps and remove combustion air intake flexible connector (if equipped).
- 6 - Mark and disconnect sensor wire from the sensor. Disconnect plug from the ignitor at the burner box.
- 7 - Remove four screws which secure burner box assembly to vest panel. Remove burner box from the unit.
- 8 - Use the soft brush attachment on a vacuum cleaner to gently clean the face of the burners. Visually inspect the inside of the burners and crossovers for any blockage caused by foreign matter. Remove any blockage.
- 9 - Reinstall the burner box assembly using the existing four screws. Make sure that the burners line up in the center of the burner ports.
- 10 - Reconnect the sensor wire and reconnect the 2-pin plug to the ignitor wiring harness.
- 11 - Reinstall combustion air intake flexible connector (if equipped), secure using existing clamps.
- 12 - Reinstall the gas valve manifold assembly. Reconnect the gas supply line to the gas valve. Reinstall the burner box cover.
- 13 - Reconnect plug to gas valve.
- 14 - Replace the blower compartment access panel.
- 15 - Refer to instruction on verifying gas and electrical connections when re-establishing supplies.
- 16 - Follow lighting instructions to light and operate furnace for 5 minutes to ensure that heat exchanger is clean and dry and that furnace is operating properly.
- 17 - Replace access panel.



UNIT SET UP (typical)

Furnace:
Model Number _____

Serial Number _____

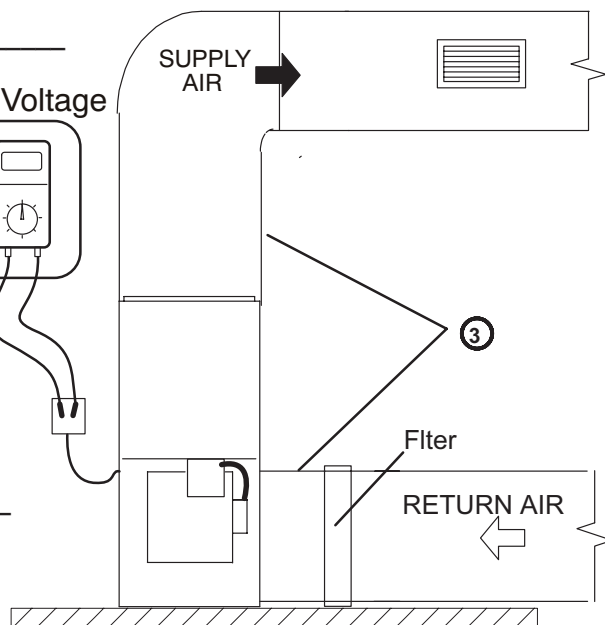


① GAS SUPPLY

- Natural Gas LP Propane Gas
- Piping Connections Tight
- Leak Tested
- Supply Line Pressure "W.C. _____

② INTAKE / EXHAUST PIPE

- All Joints Primed and Glued
- Terminations Installed Properly
- Horizontal Pipes Sloped (if applicable)
- Condensate Trap Primed / Line Sloped
- Pipes Supported
- Heat Cable Installed and Operable (if applicable)



③ DUCT SYSTEM

SUPPLY AIR DUCT

- Sealed
- Insulated (if necessary)

RETURN DUCT

- Sealed
- Filter Installed and Clean
- Grilles Unobstructed

④ VOLTAGE CHECK

Supply Voltage _____



UNIT OPERATION

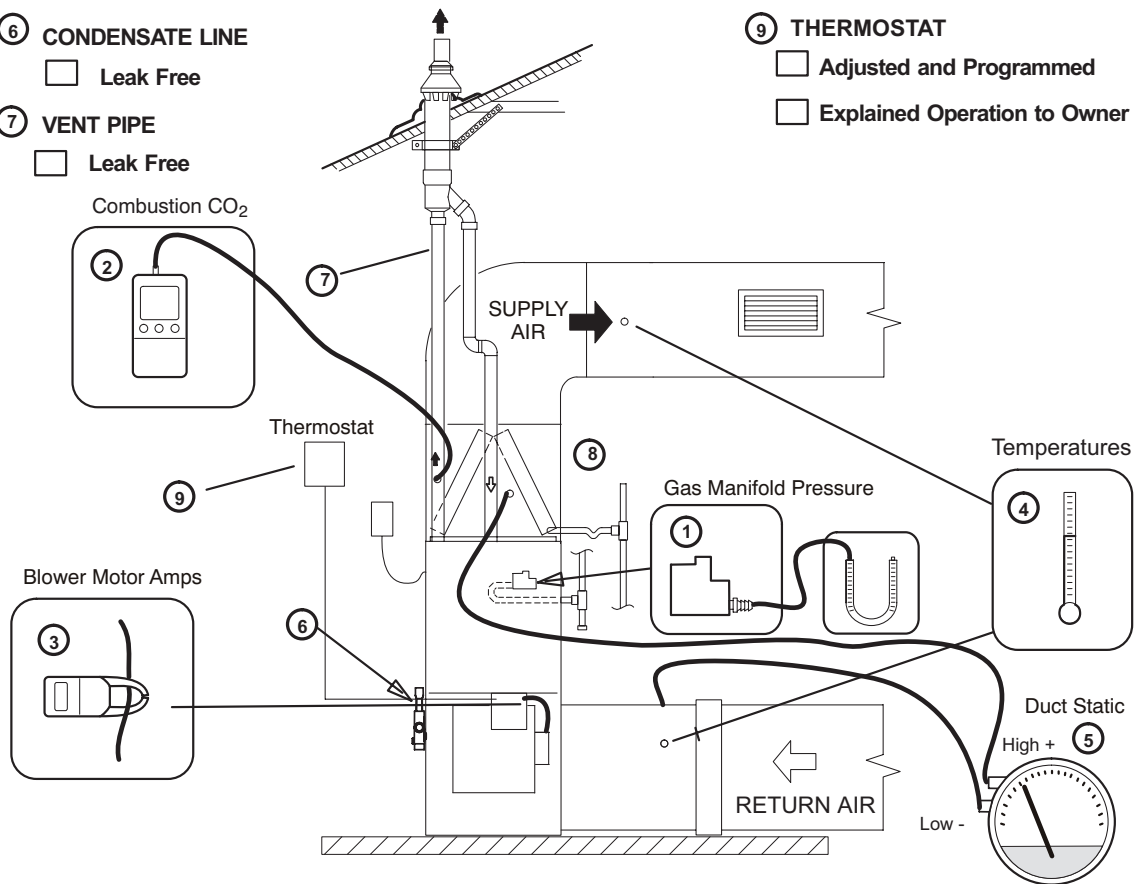
HEATING MODE

- ① GAS MANIFOLD PRESSURE "W.C. _____
- ② COMBUSTION SAMPLE CO₂% _____ CO PPM _____
- ③ INDOOR BLOWER AMPS _____
- ④ TEMPERATURE RISE
Supply Duct Temperature _____
Return Duct Temperature - _____
Temperature Rise = _____
- ⑤ TOTAL EXTERNAL STATIC
Supply External Static _____
Return External Static + _____
Total External Static = _____

COOLING MODE

- ③ INDOOR BLOWER AMPS _____
- ④ TEMPERATURE DROP
Return Duct Temperature _____
Supply Duct Temperature - _____
Temperature Drop = _____
- ⑤ TOTAL EXTERNAL STATIC (dry coil)
Supply External Static _____
Return External Static + _____
Total External Static = _____
- ⑧ DRAIN LINE
 Leak Free
- ⑨ THERMOSTAT
 Adjusted and Programmed
 Explained Operation to Owner

- ⑥ CONDENSATE LINE
 Leak Free
- ⑦ VENT PIPE
 Leak Free



Contractor's Name _____ Telephone _____ Checklist Completed _____

Job Address _____ Technician's Name _____

Modifications to NFPA-54, Chapter 10

Revise NFPA-54 section 10.8.3 to add the following requirements:

For all side wall, horizontally vented, gas-fueled equipment installed in every dwelling, building or structure used in whole or in part for residential purposes, including those owned or operated by the Commonwealth and where the side wall exhaust vent termination is less than seven (7) feet above the finished grade in the area of the venting, including but not limited to decks and porches, the following requirements shall be satisfied:

1 - **INSTALLATION OF CARBON MONOXIDE DETECTORS.** At the time of installation of the side wall, horizontally vented, gas-fueled equipment, the installing plumber or gasfitter shall observe that a hard-wired carbon monoxide detector with an alarm and battery backup is installed on the floor level where the gas equipment is to be installed. In addition, the installing plumber or gasfitter shall observe that a battery-operated or hard-wired carbon monoxide detector with an alarm is installed on each additional level of the dwelling, building or structure served by the side wall, horizontally vented, gas-fueled equipment. It shall be the responsibility of the property owner to secure the services of qualified licensed professionals for the installation of hard-wired carbon monoxide detectors.

- a. In the event that the side wall, horizontally vented, gas-fueled equipment is installed in a crawl space or an attic, the hard-wired carbon monoxide detector with alarm and battery back-up may be installed on the next adjacent floor level.
- b. In the event that the requirements of this subdivision cannot be met at the time of completion of installation, the owner shall have a period of thirty (30) days to comply with the above requirements; provided, however, that during said thirty (30) day period, a battery-operated carbon monoxide detector with an alarm shall be installed.

2 - **APPROVED CARBON MONOXIDE DETECTORS.** Each carbon monoxide detector as required in accordance with the above provisions shall comply with NFPA 720 and be ANSI/UL 2034 listed and IAS certified.

3 - **SIGNAGE.** A metal or plastic identification plate shall be permanently mounted to the exterior of the building at a minimum height of eight (8) feet above grade directly in line with the exhaust vent terminal for the horizontally vented, gas-fueled heating appliance or equipment. The sign shall read, in print size no less than one-half (1/2) inch in size, "GAS VENT DIRECTLY BELOW. KEEP CLEAR OF ALL OBSTRUCTIONS."

4 - **INSPECTION.** The state or local gas inspector of the side wall, horizontally vented, gas-fueled equipment shall not approve the installation unless, upon inspection, the inspector observes carbon monoxide detectors and signage installed in accordance with the provisions of 248 CMR 5.08(2)(a) 1 through 4.

EXEMPTIONS: The following equipment is exempt from 24 CMR 5.08(2)(a) 1 through 4:

- 1 - The equipment listed in Chapter 10 entitled "Equipment Not Required to Be Vented" in the most current edition of NFPA 54 as adopted by the Board; and
- 2 - Product Approved side wall, horizontally vented, gasfueled equipment installed in a room or structure separate from the dwelling, building or structure used in whole or in part for residential purposes.

MANUFACTURER REQUIREMENTS - GAS EQUIPMENT VENTING SYSTEM PROVIDED.

When the manufacturer of Product Approved side wall, horizontally vented, gas-fueled equipment provides a venting system design or venting system components with the equipment, the instructions provided by the manufacturer for installation of the equipment and the venting system shall include:

- 1 - Detailed instructions for the installation of the venting system design or the venting system components; and
- 2 - A complete parts list for the venting system design or venting system.

MANUFACTURER REQUIREMENTS - GAS EQUIPMENT VENTING SYSTEM NOT PROVIDED.

When the manufacturer of Product Approved side wall, horizontally vented, gas-fueled equipment does not provide the parts for venting the flue gases, but identifies "special venting systems," the following requirements shall be satisfied by the manufacturer:

- 1 - The referenced "special venting system" instructions shall be included with the appliance or equipment installation instructions; and
- 2 - The "special venting systems" shall be Product Approved by the Board, and the instructions for that system shall include a parts list and detailed installation instructions.

A copy of all installation instructions for all Product Approved side wall, horizontally vented, gas-fueled equipment, all venting instructions, all parts lists for venting instructions, and/or all venting design instructions shall remain with the appliance or equipment at the completion of the installation.

Repair Parts List

The following repair parts are available through Lennox dealers. When ordering parts, include the complete furnace model number listed on the CSA nameplate -- Example: EL296DF045XE36B. **All service must be performed by a licensed professional installer (or equivalent), service agency, or gas supplier.**

Cabinet Parts

- Outer access panel
- Blower access panel
- Top Cap

Control Panel Parts

- Transformer
- Integrated control board
- Door interlock switch

Blower Parts

- Blower wheel
- Motor
- Motor mounting frame
- Blower housing cutoff plate

Heating Parts

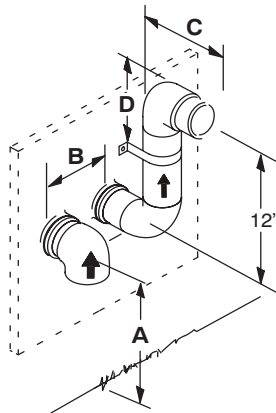
- Flame Sensor
- Heat exchanger assembly
- Gas manifold
- Combustion air inducer
- Gas valve

Province of Ontario, Horizontal Sidewall Vent Applications Only

For exterior horizontal venting applications, the 2" X 1.5" reducer for 2" venting at the point where the exhaust pipe exits the structure is not required in direct or nondirect vent applications in the Province of Ontario. In these applications, the vent should be oriented such that the exhaust plume is unobjectionable. If the installation requires more separation between the flue gases and the building structure, a reducer may be installed on the exhaust pipe to increase the flue gas velocity.

Addendum For All Provinces Of Canada

See below for venting in all provinces of Canada. Lennox approves the following termination for use in all provinces of Canada.



| | 2" (51MM) Vent Pipe | 3" (76MM) Vent Pipe |
|---|---------------------------------------|---------------------------------------|
| A – Clearance above grade or average snow accumulation | 12" (305 mm) Min. | 12" (305 mm) Min. |
| B – Horizontal separation between intake and exhaust | 6" (152 mm) Min. 24" (610 mm) Max. | 6" (152 mm) Min. 24" (610 mm) Max. |
| C – Exhaust pipe length | Per: Saskatchewan Code of Practice | |
| D – Wall support distance from top of each pipe (intake/exhaust) | 6" (152 mm) Max. | 6" (152 mm) Max. |

NOTE – Flue gas may be acidic and may adversely affect some building materials. If flue gases impinge on the building materials, a corrosion-resistant shield should be used to protect the wall surface. The shield should be constructed using wood, sheet metal or other suitable material. All seams, joints, cracks, etc. in affected area, should be sealed using an appropriate sealant.

Blower Data**EL296DF045XE36B PERFORMANCE (Less Filter)**

| External Static Pressure in. w.g. | Air Volume / Watts at Various Blower Speeds | | | | | | | | | |
|--|---|-------|------------------------|-------|------------------|-------|------------------------|-------|--------------|-------|
| | High (Black) | | Medium-High (Brown) | | Medium (Blue) | | Medium-Low (Yellow) | | Low (Red) | |
| | cfm | Watts | cfm | Watts | cfm | Watts | cfm | Watts | cfm | Watts |
| 0.00 | 1395 | 335 | 1290 | 250 | 1190 | 195 | 910 | 105 | 865 | 95 |
| 0.10 | 1375 | 350 | 1245 | 260 | 1140 | 205 | 875 | 110 | 815 | 100 |
| 0.20 | 1320 | 360 | 1215 | 265 | 1090 | 215 | 825 | 120 | 785 | 110 |
| 0.30 | 1285 | 365 | 1165 | 270 | 1065 | 225 | 795 | 130 | 735 | 115 |
| 0.40 | 1275 | 375 | 1150 | 285 | 1025 | 230 | 750 | 135 | 705 | 120 |
| 0.50 | 1230 | 385 | 1095 | 295 | 985 | 240 | 705 | 145 | 650 | 125 |
| 0.60 | 1185 | 380 | 1060 | 300 | 935 | 245 | 655 | 150 | 605 | 135 |
| 0.70 | N/A | N/A | 1020 | 310 | 915 | 250 | 590 | 150 | 545 | 140 |
| 0.80 | N/A | N/A | 980 | 315 | 860 | 255 | 555 | 160 | 485 | 140 |

EL296DF070XE48B PERFORMANCE (Less Filter)

| External Static Pressure in. w.g. | Air Volume / Watts at Various Blower Speeds | | | | | | | | | |
|--|---|-------|------------------------|-------|------------------|-------|------------------------|-------|--------------|-------|
| | High (Black) | | Medium-High (Brown) | | Medium (Blue) | | Medium-Low (Yellow) | | Low (Red) | |
| | cfm | Watts | cfm | Watts | cfm | Watts | cfm | Watts | cfm | Watts |
| 0.00 | 1770 | 510 | 1550 | 340 | 1355 | 220 | 1255 | 180 | 1035 | 115 |
| 0.10 | 1720 | 520 | 1510 | 355 | 1315 | 230 | 1200 | 185 | 980 | 105 |
| 0.20 | 1705 | 535 | 1470 | 365 | 1265 | 245 | 1165 | 195 | 895 | 110 |
| 0.30 | 1665 | 540 | 1430 | 380 | 1235 | 250 | 1120 | 205 | 835 | 120 |
| 0.40 | 1605 | 555 | 1390 | 395 | 1185 | 260 | 1070 | 210 | 775 | 130 |
| 0.50 | 1585 | 565 | 1335 | 400 | 1155 | 275 | 1015 | 225 | 690 | 140 |
| 0.60 | 1540 | 565 | 1300 | 410 | 1100 | 290 | 970 | 235 | 625 | 145 |
| 0.70 | N/A | N/A | 1260 | 420 | 1050 | 295 | 915 | 245 | 570 | 150 |
| 0.80 | N/A | N/A | 1220 | 430 | 1015 | 305 | 865 | 255 | 520 | 155 |

Blower Data**EL296DF090XE48C PERFORMANCE (Less Filter)**

| External Static Pressure in. w.g. | Air Volume / Watts at Various Blower Speeds | | | | | | | | | |
|--------------------------------------|---|-------|---------------------|-------|---------------|-------|---------------------|-------|-----------|-------|
| | High (Black) | | Medium-High (Brown) | | Medium (Blue) | | Medium-Low (Yellow) | | Low (Red) | |
| | cfm | Watts | cfm | Watts | cfm | Watts | cfm | Watts | cfm | Watts |
| 0.00 | 1765 | 395 | 1565 | 265 | 1410 | 210 | 1290 | 175 | 1180 | 135 |
| 0.10 | 1745 | 410 | 1510 | 280 | 1365 | 220 | 1265 | 185 | 1120 | 140 |
| 0.20 | 1685 | 425 | 1455 | 295 | 1310 | 235 | 1220 | 200 | 1080 | 150 |
| 0.30 | 1630 | 440 | 1415 | 310 | 1285 | 250 | 1165 | 210 | 1035 | 160 |
| 0.40 | 1620 | 450 | 1370 | 320 | 1245 | 255 | 1125 | 220 | 985 | 175 |
| 0.50 | 1570 | 465 | 1335 | 330 | 1185 | 265 | 1080 | 230 | 925 | 180 |
| 0.60 | 1540 | 470 | 1295 | 345 | 1145 | 280 | 1045 | 240 | 875 | 190 |
| 0.70 | N/A | N/A | 1260 | 355 | 1110 | 295 | 990 | 255 | 825 | 200 |
| 0.80 | N/A | N/A | 1210 | 370 | 1060 | 305 | 940 | 260 | 760 | 205 |

EL296DF110XE60C PERFORMANCE (Less Filter)

| External Static Pressure in. w.g. | Air Volume / Watts at Various Blower Speeds | | | | | | | | | |
|--------------------------------------|---|-------|---------------------|-------|---------------|-------|---------------------|-------|-----------|-------|
| | High (Black) | | Medium-High (Brown) | | Medium (Blue) | | Medium-Low (Yellow) | | Low (Red) | |
| | cfm | Watts | cfm | Watts | cfm | Watts | cfm | Watts | cfm | Watts |
| 0.00 | 2285 | 640 | 1990 | 435 | 1805 | 330 | 1685 | 265 | 1480 | 195 |
| 0.10 | 2250 | 660 | 1965 | 450 | 1775 | 345 | 1630 | 280 | 1430 | 205 |
| 0.20 | 2185 | 675 | 1910 | 465 | 1720 | 360 | 1575 | 295 | 1360 | 215 |
| 0.30 | 2150 | 690 | 1850 | 485 | 1670 | 375 | 1525 | 310 | 1290 | 235 |
| 0.40 | 2085 | 710 | 1810 | 495 | 1605 | 395 | 1465 | 325 | 1255 | 245 |
| 0.50 | 2060 | 725 | 1765 | 515 | 1565 | 400 | 1420 | 335 | 1190 | 255 |
| 0.60 | 2005 | 745 | 1700 | 535 | 1510 | 420 | 1370 | 355 | 1160 | 270 |
| 0.70 | 1970 | 760 | 1665 | 550 | 1460 | 440 | 1325 | 370 | 1100 | 280 |
| 0.80 | 1910 | 775 | 1620 | 560 | 1420 | 450 | 1275 | 380 | 1045 | 295 |

TABLE 20

| Allowable Heating Speeds | | | | | | | | | | |
|---------------------------------|--------------------------------|-----------------|-------------|--------------|--------------|---------------------------------|---------------|-------------|--------------|--------------|
| EL296DF Model Number | Low Fire Heating Speeds | | | | | High Fire Heating Speeds | | | | |
| | Red | Yellow | Blue | Brown | Black | Red | Yellow | Blue | Brown | Black |
| 045XE36B | Allowed | Factory Setting | Not Allowed | Not Allowed | Not Allowed | Not Allowed | Allowed | Allowed | Allowed | Allowed |
| 070XE48B | | | Allowed | | | | | | | |
| 090XE48C | | | Allowed | | | | | | | |
| 110XE60C | | | Not Allowed | | | | | | | |

TABLE 21

| Allowable Circulation Speeds | | | | | |
|-------------------------------------|------------|-----------------|-------------|--------------|--------------|
| EL296DF Model Number | Red | Yellow | Blue | Brown | Black |
| All Models | Allowed | Factory Setting | Not Allowed | Not Allowed | Not Allowed |