



ELECTRIC HEAT SECTIONS

507250-02
5/2021
Supersedes 507250-01

EHO075/EHO600 ELECTRIC HEAT

See unit nameplate for manufacturer's name and address.

INSTALLATION INSTRUCTIONS FOR C1EHO075/600 & E1EHO075/600 ELECTRIC HEAT ASSEMBLIES USED WITH PACKAGED COOLING 092/152 & HEAT PUMP 092/150 UNITS

Shipping and Packing List

Package 1 of 1 contains:

- 1- Electric heat assembly
- 1- Electric heat control assembly (C1EHO kits only)
- 1- Door frame (non-hinged units only)
- 1- Door (non-hinged units only)
- 3- Harnesses
- 1- Bag assembly containing:
 - 3- Harnesses
 - 2- Wiring diagram stickers (qty. 1 in E1EHO kits)
- 25- Screws
 - 1- Terminal block
 - 1- Door knob (non-hinged units only)
 - 2- Hinges (non-hinged units only)
 - 1- Spring latch (non-hinged units only)

Inspect package upon receiving. If damage is found, contact last carrier immediately.

F4 Fuse Block

Fuse block assembly (F4) is furnished in all cooling and heat pump units. Assembly is required in single point power installations only.

TB2 Terminal Block

TB2 is furnished with electric heat. TB2 is required in units equipped with S48 (80A) disconnect switches. TB2 is also required when a unit does NOT contain a CB10 circuit breaker or S48 (150A) disconnect switch. Make sure the CB10 has lugs on top to distribute power.

Electric Heat Control Module

The electric heat control module kit is provided in this kit. The kit is required on units not equipped with a Unit Controller control.

Application

Electric heat sections are used as primary heaters for packaged cooling units and as a secondary heat source for packaged heat pump units. See table 1 for match-ups.

Requirements

The EHO series heaters are CSA and ETL design certified.

Installation of electric heaters must conform with standards of the National Fire Protection Association (NFPA) "Standard for Installation of Air Conditioning and Ventilation Systems NFPA No. 90A;" "Standard for the Installation of Residence Type Warm Air Heating and Air Conditioning Systems NFPA No. 90B;" in Canada, CSA C22.1 Canadian Electrical Code — Part I and all applicable CSA requirements; manufacturer's installation instructions and local municipal building codes. Heaters are approved for clearances to combustible materials as listed on heater rating plate.

Accessibility and service clearances must take precedence over fire protection clearances. All wiring must conform with local building codes and the current National Electric Code (NEC) ANSI-C1 and in Canada, CSA C22.1 Canadian Electrical Code —Part I and the applicable CSA requirements.



TABLE 1

Unit	Blower Drive	Cat. No.	Electric Heat	Volt
Cooling 092, 094 102 Heat Pump 092, 102	Belt	68W04 / 603383-19	C1EHO057 (5.7KW)	M
Cooling 092, 094, 102, 120, 122, 150, 152 Heat Pump 092, 102, 120, 150	Belt	68W05 / 603383-20	C1EHO115 (11.5KW)	M
	Belt	68W06 / 603383-21	C1EHO172 (17.2KW)	M
	Belt	68W07 / 603383-22	C1EHO230 (23.0KW)	M
	Belt	68W08 / 603383-23	C1EHO345 (34.5KW)	M
Cooling 120, 122, 150, 152 Heat Pump 120, 150	Belt	68W09 / 603383-24	C1EHO459 (45.9KW)	M
Cooling 092, 094	Direct	10X16 / 612017-19	E1EHO057 (5.7KW)	M
Cooling 092, 094, 120, 122, 150, 152	Direct	10X17 / 612017-20	E1EHO115 (11.5KW)	M
	Direct	10X18 / 612017-21	E1EHO172 (17.2KW)	M
	Direct	10X19 / 612017-22	E1EHO230 (23.0KW)	M
	Direct	10X20 / 612017-23	E1EHO345 (34.5KW)	M
Cooling 120, 122, 150, 152	Direct	10X21 / 612017-24	E1EHO459 (45.9KW)	M
Cooling 092, 094, 102 Heat Pump 092, 102	Belt	56W38 / 603383-01	C1EHO075 (7.5KW)	Y
	Belt	56W39 / 603383-02	C1EHO075 (7.5KW)	G
	Belt	56W40 / 603383-03	C1EHO075 (7.5KW)	J
Cooling 092, 094	Direct	10U96 / 612017-01	E1EHO075 (7.5KW)	Y
	Direct	10U97 / 612017-02	E1EHO075 (7.5KW)	G
	Direct	11J19 / 612017-03	E1EHO075 (7.5KW)	J
Cooling 092, 094, 102, 120, 122, 150, 152 Heat Pump 092, 102, 120, 150	Belt	56W41 / 603383-04	C1EHO150 (15KW)	Y
	Belt	56W42 / 603383-05	C1EHO150 (15KW)	G
	Belt	56W43 / 603383-06	C1EHO150 (15KW)	J
Cooling 092, 094, 120, 122, 150, 152	Direct	10U99 / 612017-04	E1EHO150 (15KW)	Y
	Direct	10X01 / 612017-05	E1EHO150 (15KW)	G
	Direct	10X02 / 612017-06	E1EHO150 (15KW)	J
Cooling 092, 094, 102, 120, 122, 150, 152 Heat Pump 092, 102, 120, 150	Belt	56W44 / 603383-07	C1EHO225 (22.5KW)	Y
	Belt	56W45 / 603383-08	C1EHO225 (22.5KW)	G
	Belt	56W46 / 603383-09	C1EHO225 (22.5KW)	J
Cooling 092, 094, 120, 122, 150, 152	Direct	10X03 / 612017-07	E1EHO225 (22.5KW)	Y
	Direct	10X04 / 612017-08	E1EHO225 (22.5KW)	G
	Direct	10X05 / 612017-09	E1EHO225 (22.5KW)	J
Cooling 092, 094, 102, 120, 122, 150, 152 Heat Pump 092, 102, 120, 150	Belt	56W47 / 603383-10	C1EHO300 (30KW)	Y
	Belt	56W48 / 603383-11	C1EHO300 (30KW)	G
	Belt	56W49 / 603383-12	C1EHO300 (30KW)	J
Cooling 092, 094, 120, 122, 150, 152	Direct	10X06 / 612017-10	E1EHO300 (30KW)	Y
	Direct	10X07 / 612017-11	E1EHO300 (30KW)	G
	Direct	10X08 / 612017-12	E1EHO300 (30KW)	J

Cooling 092, 094, 102, 120, 122, 150, 152 Heat Pump 092, 102, 120, 150	Belt	56W50 / 603383-13	C1EHO450 (45KW)	Y
	Belt	56W51 / 603383-14	C1EHO450 (45KW)	G
	Belt	56W52 / 603383-15	C1EHO450 (45KW)	J
Cooling 092, 094, 120, 122, 150, 152	Direct	10X09 / 612017-13	E1EHO450 (45KW)	Y
	Direct	10X11 / 612017-14	E1EHO450 (45KW)	G
	Direct	10X12 / 612017-15	E1EHO450 (45KW)	J
Cooling 120, 122, 150, 152 Heat Pump 120, 150	Belt	55W02 / 603383-16	C1EHO600 (60KW)	Y
	Belt	55W03 / 603383-17	C1EHO600 (60KW)	G
	Belt	55W04 / 603383-18	C1EHO600 (60KW)	J
Cooling 120, 122, 150, 152	Direct	10X13 / 612017-16	E1EHO600 (60KW)	Y
	Direct	10X14 / 612017-17	E1EHO600 (60KW)	G
	Direct	10X15 / 612017-18	E1EHO600 (60KW)	J

Install Electric Heat Assembly

- 1- Disconnect all power to unit.
- 2- Remove unit heat access panel. Remove screws and discard rectangular vestibule cover(s).
- 3- Insert electric element heat assembly into rectangular vestibule opening and secure assembly using screws provided. See figure 1.
- 4- *Single disconnect installations-*

Install separately ordered TB2, CB10, or S48 (150A) using screws provided. See figure 2 for location.

- 5- *KC/KH Unit Only -*
Replace the unit TB2 with the TB2 provided in this kit. Install separately ordered CB10 or S48 (150A) using screws provided. See figure 2 for location.

Note - Kit is not required on units equipped with a Unit Controller.

Note - Install electric heat door assembly after electric heat assembly and wiring is complete.

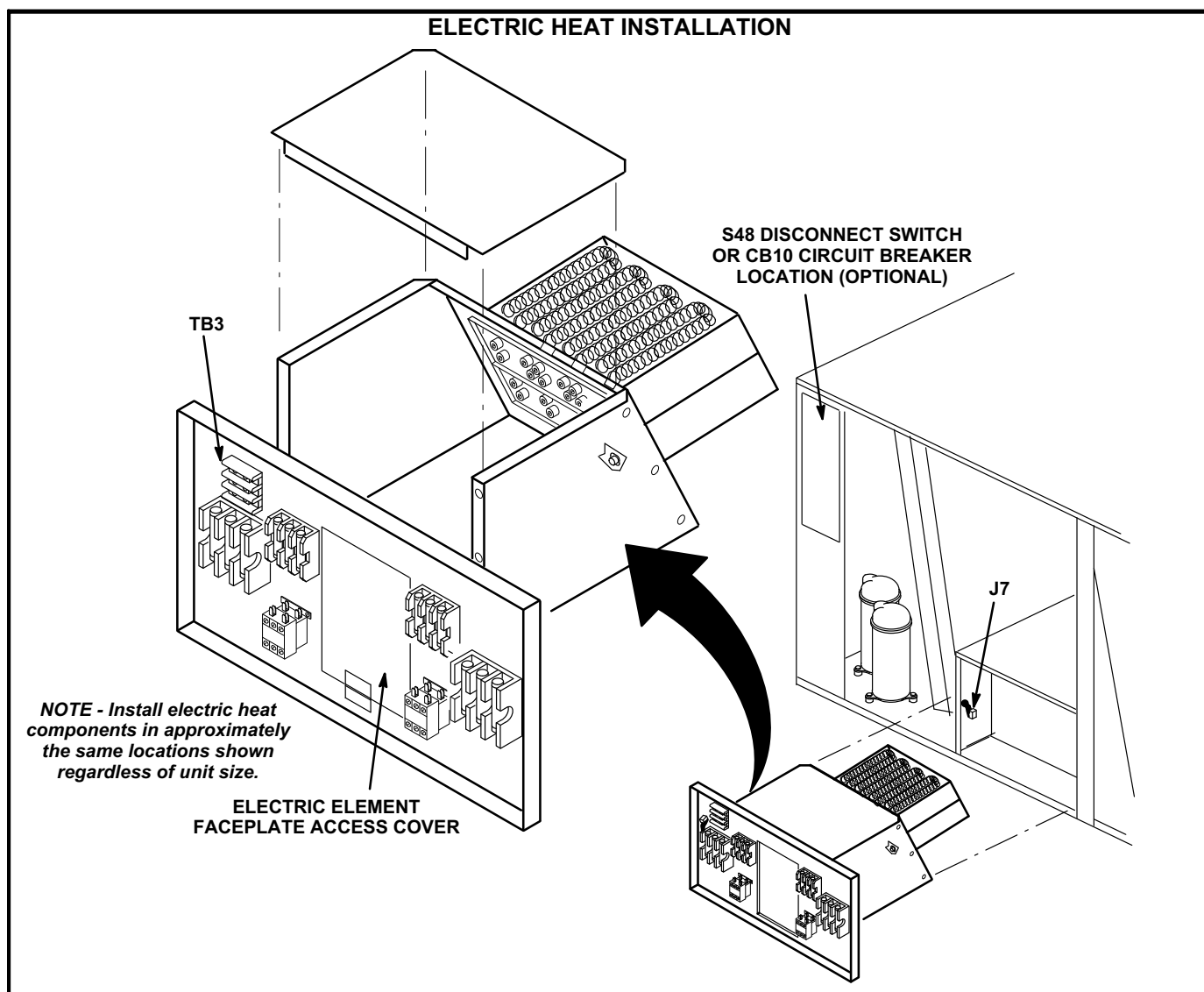


FIGURE 1

**S48 DISCONNECT SWITCH OR
CB10 CIRCUIT BREAKER LOCATION (OPTIONAL)**

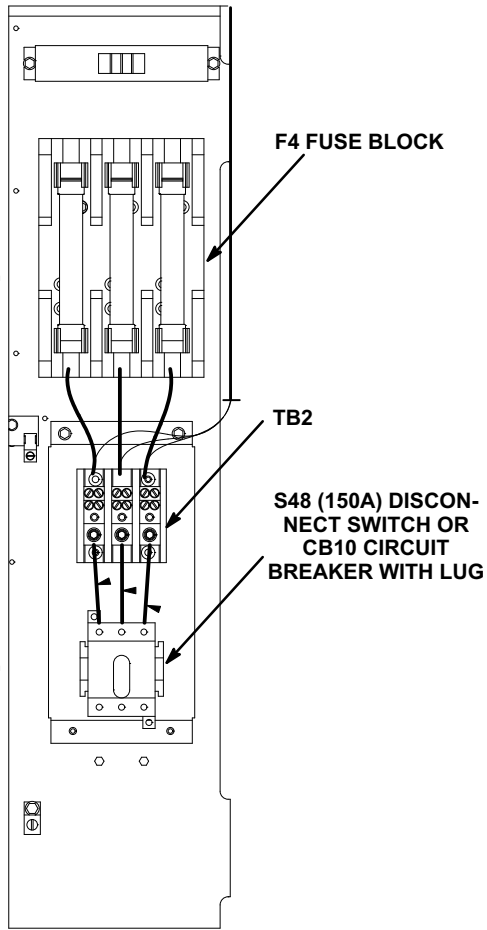


FIGURE 2

Electrical Connections

Wiring must conform to local codes and NEC/CEC. Refer closely to wiring diagram in this instruction and the following information: If electric heat assembly is being installed in an existing unit, a change in power supply wiring and disconnect switch may be required. Remove the original supply wires or disconnect at power source. Refer to heater nameplate for minimum circuit ampacity and maximum fuse size.

1- Review heater installed nameplate for MCA values and enlarge power entry knockouts as needed. Refer to figure 8 for field wiring. For wiring between F4 and TB2 or CB10, use the harness provided in this kit. Likewise, for wiring between TB2 or CB10 and TB3, use the harness provided in this kit. For low voltage wiring connections, refer to unit installation instruction.

2- Make 24 volt harness jack/plug connections as follows.

LC Units -

Connect electric heat jack J7 to electric heat plug P7. See figure 4.

KC/KH Units -

Connect electric heat jack J7 to electric heat plug P7. Connect P2 plug to main cooling harness jack J2. See figure 5.

3- Select wiring diagram with appropriate unit model number and affix to unit in location shown in figure 6.

ELECTRIC HEAT CONTROL ASSEMBLY INSTALLATION (KC/KH UNITS ONLY)

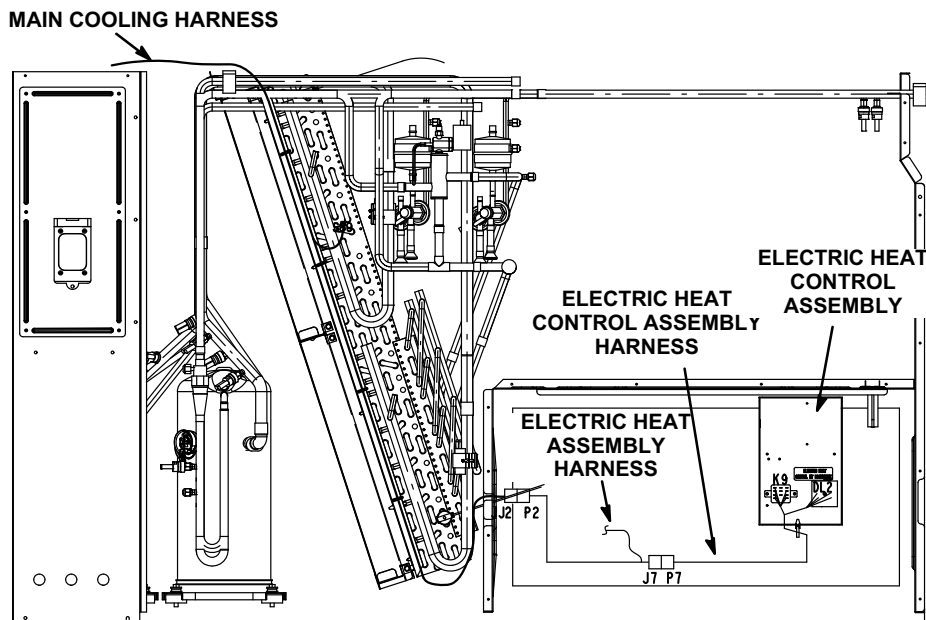


FIGURE 3

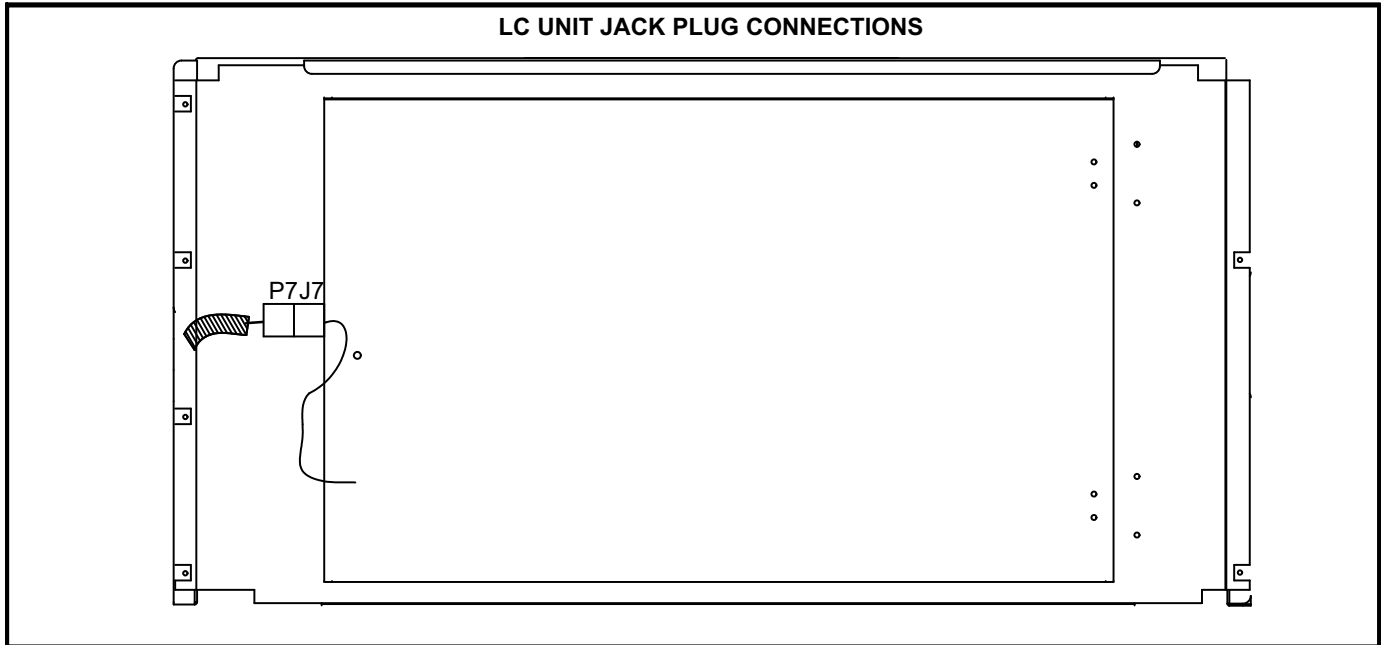


FIGURE 4

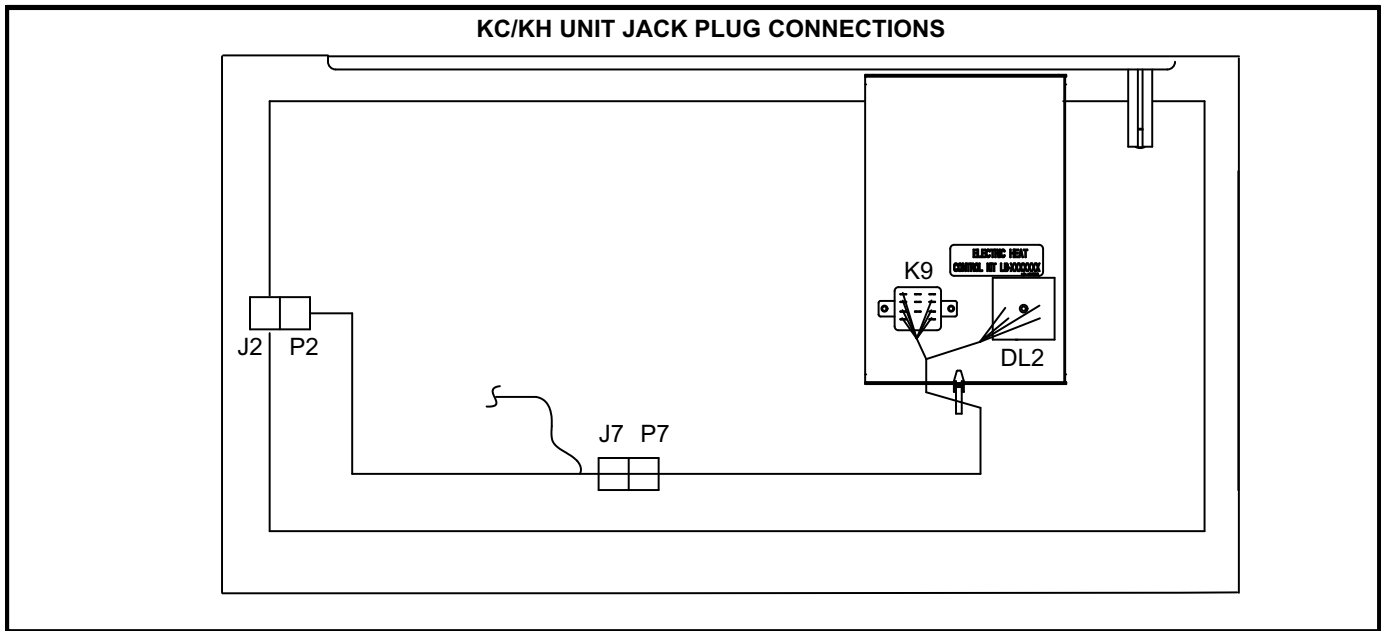


FIGURE 5

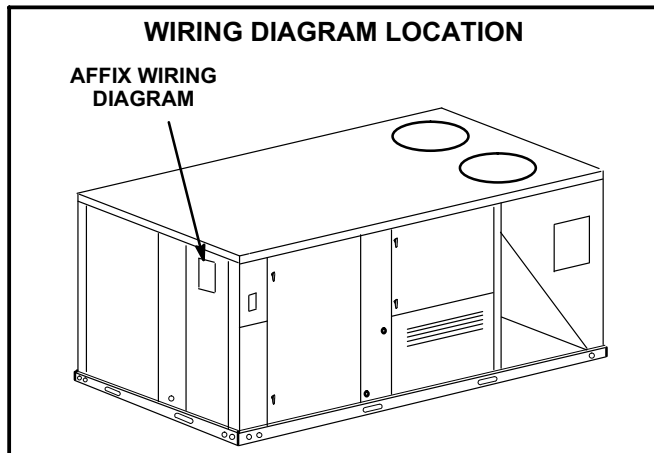


FIGURE 6

Install Door Assembly - Non-Hinged Only

- 1- Secure door frame on inside of filter access and heating/blower access mullions. Use existing screws. See figure 7.
- 2- Install hinges on electric heat door.
- 3- Install knob on electric heat door.
- 4- Install spring latch to door frame with #8 screws (provided).
- 5- Secure electric heat door hinges onto door frame. Make sure door opens to the right. Make sure door opens and closes properly; adjust hinges if necessary.

**ELECTRIC HEAT DOOR INSTALLATION -
UNITS WITH NON-HINGED HEAT ACCESS PANELS ONLY**

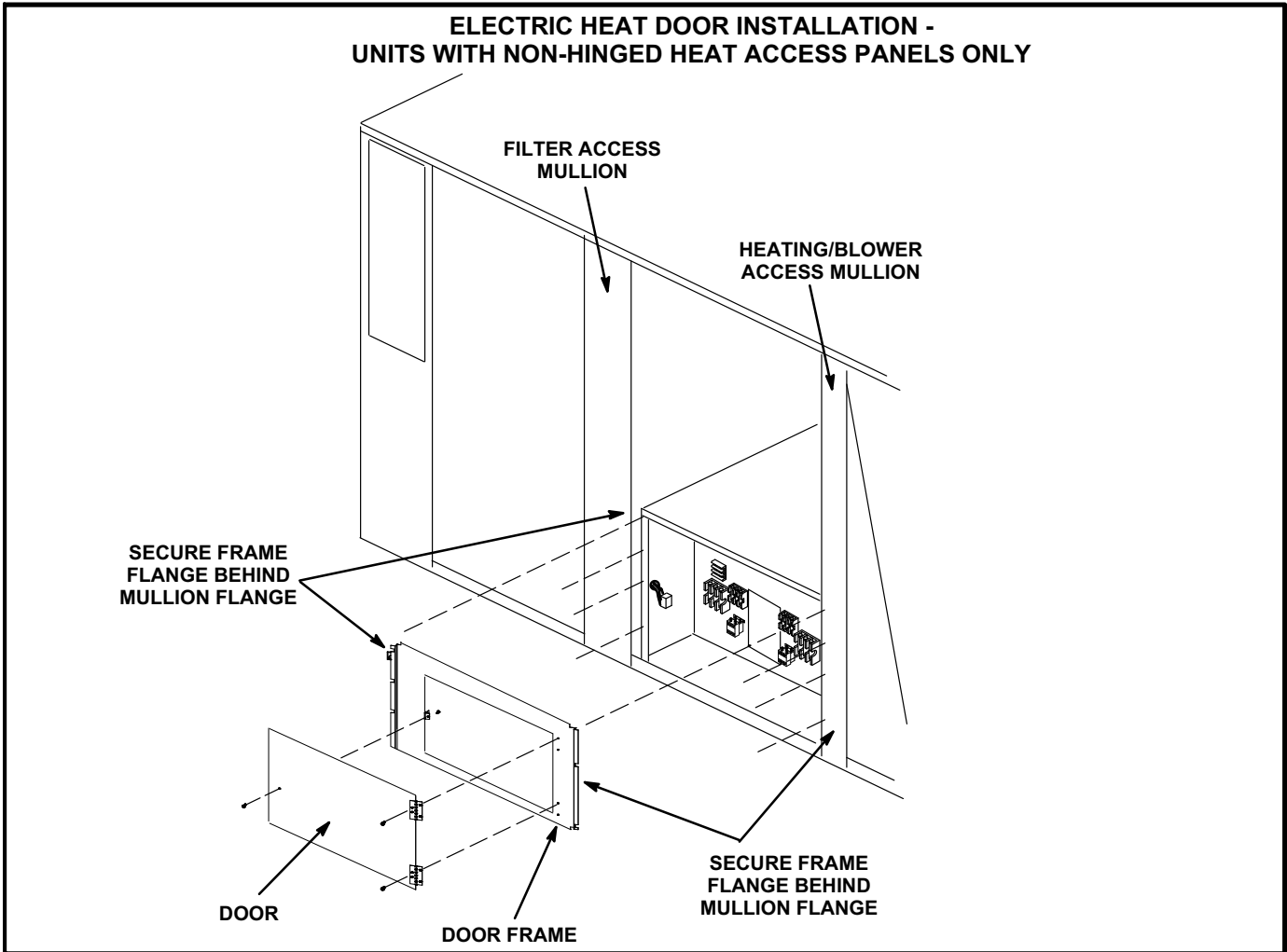


FIGURE 7

Blower Speed Requirements

Electric heater applications require specific blower air volumes. Refer to the belt drive blower table in this manual for proper C1EHO blower speeds. Refer to the direct drive blower table for proper E1EHO blower speeds. Apply accessory air resistance table when installing E1EHO on units equipped with any of the optional accessories listed.

Set Unit Controller

Set the Unit Controller using one of the following menus. M2, M3, or M4 is printed near the bottom of the Unit Controller by the SBUS connector on M2 and M3 controllers and by the seven-segment display on M4 units. Refer to the Unit Controller manual provided with each rooftop unit.

M2 Unit Controller

Use this menu to enable the appropriate number of electric heat stages.

SETTINGS > INSTALL > ELECTRIC HEAT STAGES

M3 Unit Controller

The Unit Controller configuration I.D. must be set to identify that electric heat has been installed.

Note - The number of electric heat stages do not have to be entered with version 08 and later.

- 1- Use the Unit Controller keypad to enter the following menu:

MAIN MENU > SETUP > INSTALL

- 2- Press SAVE until CONFIGURATION ID 2 appears. Change the 9th digit to "Y" for yes.
- 3- Press SAVE. The Unit Controller is now set up to operate electric heat.

M4 Unit Controller

Use the following menu in the mobile app to enable electric heat.

RTU MENU > SETUP > INSTALL

Select configuration I.D. 2 and change (9) Field Electric Heat to Y (Installed).

Unit Start-Up (Heating Cycle)

Set room thermostat for proper heat or auto operation if switching subbase is used. Close disconnect switch and position heat setpoint lever above room temperature. Refer to unit installation instructions for additional information on start-up operations and adjustments.

Heating supply air CFM may be adjusted from the default value. Use the installation instruction provided with each unit and refer to *Supply Air Inverter Start-Up* and *Direct Drive Variable Blower Start-Up* sections.

Heating Operation

Cooling Units:

Single Stage (5.7, 7.5, 11.5, 15kW)

A W1 thermostat demand will energize the first stage of electric heat.

Two Stage (17.2, 22.5, 23, 30, 34.5, 45, 45.9, 60kW)

A W1 thermostat demand will energize the first stage of electric heat. A W2 thermostat demand will energize the second stage of electric heat after a 30-second delay.

Heat Pump Units:

A W1 thermostat demand will energize both compressors in heating mode (reversing valves are not energized). A W2 thermostat demand will energize the first stage of electric heat in addition to compressors operating in heat pump mode. For 22.5 through 30KW electric heat, the second stage of electric heat will be energized after a 30-second delay.

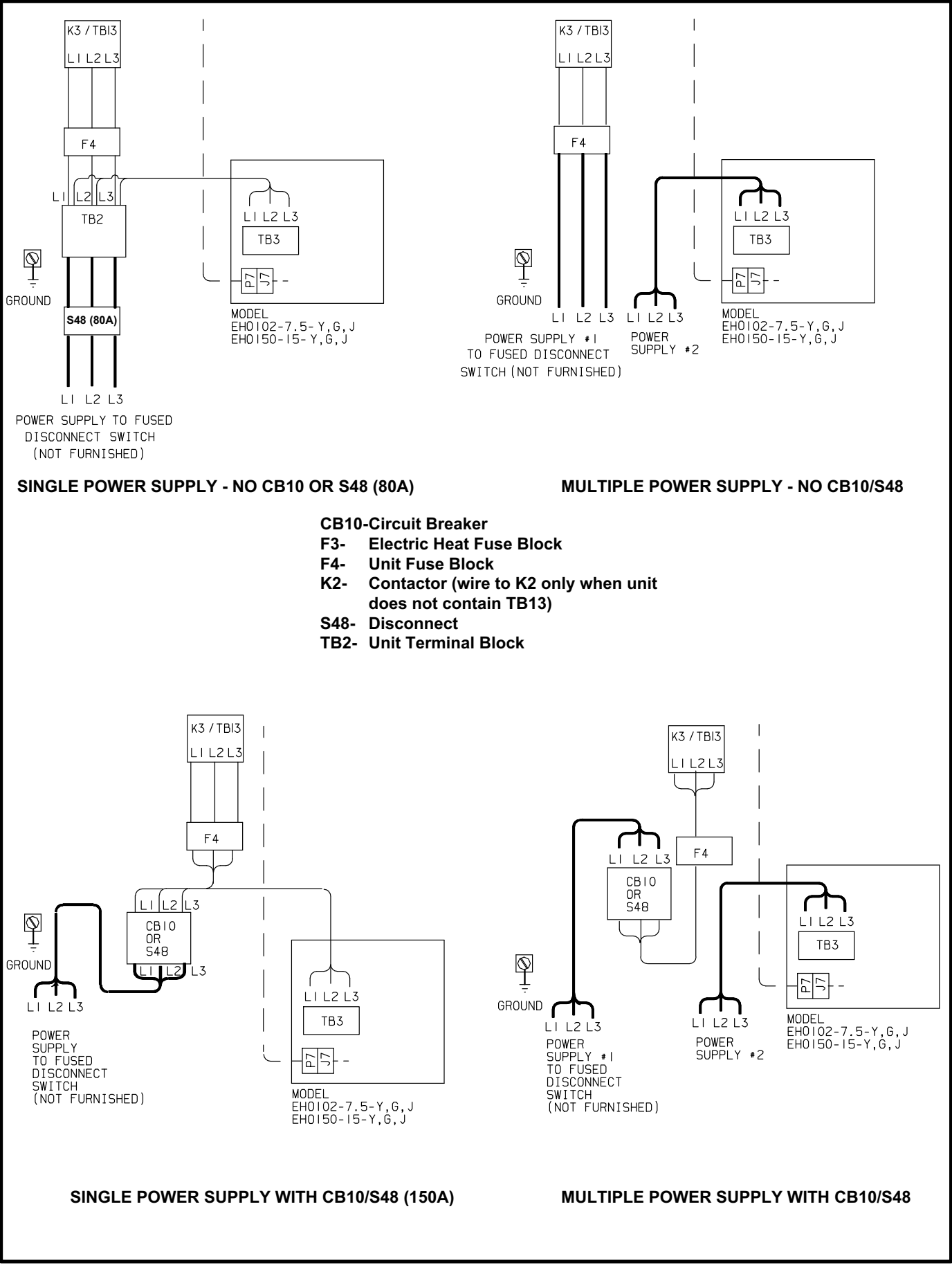


FIGURE 8

**PACKAGED COOLING AND HEAT PUMP 092H, 102H, 120H, 150S, 094U, 122U, 152U BELT DRIVE
BLOWER PERFORMANCE**

Air Volume cfm (L/s)	Total Static Pressure - in. w.g. (Pa)																			
	.20 (50)		.40 (100)		.60 (150)		.80 (200)		1.00 (250)		1.20 (300)		1.40 (350)		1.60 (400)		1.80 (450)		2.00 (495)	
	RPM	BHP kW	RPM	BHP kW	RPM	BHP kW	RPM	BHP kW	RPM	BHP kW	RPM	BHP kW	RPM	BHP kW	RPM	BHP kW	RPM	BHP kW	RPM	BHP kW
2250 (1060)	612	0.12 (0.09)	661	0.39 (0.29)	713	0.67 (0.50)	769	0.96 (0.72)	827	1.23 (0.92)	885	1.45 (1.08)	938	1.60 (1.19)	989	1.71 (1.28)	1040	1.84 (1.37)	1092	1.99 (1.49)
2500 (1180)	628	0.29 (0.22)	676	0.55 (0.41)	728	0.83 (0.62)	782	1.11 (0.83)	839	1.37 (1.02)	896	1.58 (1.18)	949	1.72 (1.28)	1001	1.84 (1.37)	1053	1.99 (1.49)	1105	2.17 (1.62)
2750 (1300)	645	0.47 (0.35)	692	0.72 (0.54)	742	0.99 (0.74)	796	1.26 (0.93)	852	1.51 (1.13)	908	1.71 (1.28)	961	1.86 (1.39)	1013	2.00 (1.49)	1066	2.17 (1.62)	1119	2.36 (1.76)
3000 (1415)	662	0.65 (0.49)	708	0.90 (0.67)	758	1.16 (0.87)	811	1.42 (1.06)	866	1.66 (1.24)	921	1.86 (1.39)	974	2.01 (1.50)	1026	2.17 (1.62)	1080	2.35 (1.75)	1134	2.56 (1.91)
3250 (1535)	681	0.84 (0.63)	726	1.08 (0.81)	774	1.34 (1.00)	826	1.59 (1.19)	881	1.83 (1.37)	935	2.01 (1.50)	988	2.17 (1.62)	1041	2.35 (1.75)	1095	2.56 (1.91)	1150	2.77 (2.07)
3500 (1650)	700	1.04 (0.78)	744	1.28 (0.96)	792	1.53 (1.14)	843	1.78 (1.33)	897	2.00 (1.49)	951	2.19 (1.63)	1004	2.36 (1.76)	1058	2.56 (1.91)	1112	2.77 (2.07)	1166	2.99 (2.23)
3750 (1770)	721	1.25 (0.93)	764	1.49 (1.11)	811	1.73 (1.29)	862	1.97 (1.47)	916	2.19 (1.63)	969	2.38 (1.78)	1022	2.57 (1.92)	1075	2.78 (2.07)	1129	3.00 (2.24)	1184	3.23 (2.41)
4000 (1890)	744	1.48 (1.10)	786	1.71 (1.28)	833	1.95 (1.46)	883	2.19 (1.63)	936	2.40 (1.79)	989	2.60 (1.94)	1042	2.80 (2.09)	1094	3.03 (2.26)	1148	3.25 (2.43)	1203	3.48 (2.60)
4250 (2005)	768	1.73 (1.29)	810	1.95 (1.46)	856	2.19 (1.63)	907	2.42 (1.81)	960	2.64 (1.97)	1011	2.84 (2.12)	1063	3.06 (2.28)	1115	3.29 (2.45)	1168	3.51 (2.62)	1222	3.74 (2.79)
4500 (2125)	794	1.99 (1.49)	836	2.22 (1.66)	882	2.45 (1.83)	933	2.68 (2.00)	985	2.90 (2.16)	1035	3.12 (2.33)	1085	3.34 (2.49)	1137	3.56 (2.66)	1189	3.79 (2.83)	1243	4.01 (2.99)
4750 (2240)	822	2.28 (1.70)	864	2.50 (1.87)	911	2.74 (2.04)	962	2.97 (2.22)	1011	3.19 (2.38)	1059	3.42 (2.55)	1109	3.64 (2.72)	1159	3.86 (2.88)	1211	4.08 (3.04)	1264	4.30 (3.21)
5000 (2360)	853	2.59 (1.93)	896	2.82 (2.10)	943	3.06 (2.28)	992	3.29 (2.45)	1038	3.51 (2.62)	1085	3.74 (2.79)	1133	3.95 (2.95)	1183	4.16 (3.10)	1234	4.38 (3.27)	1287	4.59 (3.42)
5250 (2475)	886	2.93 (2.19)	930	3.17 (2.37)	976	3.41 (2.54)	1022	3.64 (2.72)	1066	3.86 (2.88)	1111	4.07 (3.04)	1158	4.28 (3.19)	1207	4.48 (3.34)	1258	4.69 (3.50)	1309	4.90 (3.66)
5500 (2595)	922	3.31 (2.47)	966	3.55 (2.65)	1010	3.78 (2.82)	1052	4.01 (2.99)	1094	4.22 (3.15)	1138	4.42 (3.30)	1184	4.62 (3.45)	1232	4.81 (3.59)	1282	5.01 (3.74)	1333	5.21 (3.89)
5750 (2715)	960	3.73 (2.78)	1002	3.96 (2.95)	1041	4.19 (3.13)	1081	4.40 (3.28)	1122	4.60 (3.43)	1166	4.78 (3.57)	1211	4.96 (3.70)	1258	5.15 (3.84)	1307	5.34 (3.98)	1357	5.53 (4.13)
6000 (2830)	998	4.17 (3.11)	1035	4.40 (3.28)	1072	4.61 (3.44)	1111	4.81 (3.59)	1151	4.98 (3.72)	1193	5.15 (3.84)	1238	5.32 (3.97)	1284	5.49 (4.10)	1332	5.67 (4.23)	1381	5.86 (4.37)
6250 (2948)	1033	4.65 (3.47)	1067	4.85 (3.62)	1103	5.04 (3.76)	1140	5.21 (3.89)	1180	5.37 (4.01)	1221	5.53 (4.13)	1265	5.68 (4.24)						

092 & 102 models require 2800 CFM minimum air with electric heat.

120 & 150 models require 4000 CFM minimum air with electric heat.

BLOWER DATA

092, 094, 120, 122, 150 AND 152 DIRECT DRIVE BLOWER ALL MODELS – BASE UNIT

BLOWER TABLE INCLUDES RESISTANCE FOR BASE UNIT ONLY (NO HEAT SECTION) WITH DRY INDOOR COIL AND AIR FILTERS IN PLACE.

FOR ALL UNITS ADD:

- 1 – Wet indoor coil air resistance of selected unit.
 - 2 – Any factory installed options air resistance (heat section, economizer, etc.)
 - 3 – Any field installed accessories air resistance (duct resistance, diffuser, etc.)
- See page 12 for wet coil and option/accessory air resistance data.

MAXIMUM STATIC PRESSURE WITH GAS HEAT - 2.0 in. w.g.

MINIMUM AIR VOLUME REQUIRED FOR USE WITH OPTIONAL ELECTRIC HEAT (Maximum Static Pressure - 2.0 in. w.g.)

092, 094 Models - 7.5 kW - 1750 cfm

All Models - 15 kW, 22.5 kW, 30 kW, 45 kW - 2750 cfm

120, 122, 150 and 152 Models - 60 kW - 3500 cfm

Total Air Volume cfm	Total Static Pressure - in. w.g.													
	0.2		0.4		0.6		0.8		1.0		1.2		1.4	
	RPM	Watts	RPM	Watts	RPM	Watts	RPM	Watts	RPM	Watts	RPM	Watts	RPM	Watts
1750	711	188	771	279	836	366	905	453	975	544	1044	640	1109	737
2000	752	242	812	332	876	420	944	510	1011	606	1075	709	1138	812
2250	799	300	860	389	923	479	988	575	1052	678	1113	787	1171	896
2500	853	362	914	453	976	548	1038	650	1097	761	1154	877	1209	990
2750	914	434	974	529	1033	629	1091	739	1146	858	1199	979	1250	1098
3000	980	513	1037	614	1092	720	1146	837	1198	961	1247	1088	1295	1215
3250	1048	598	1101	705	1153	819	1203	941	1251	1071	1298	1206	1343	1343
3500	1116	693	1166	809	1214	931	1261	1060	1307	1198	1351	1341	1395	1489
3750	1185	806	1232	931	1277	1063	1322	1201	1365	1348	1407	1499	1448	1657
4000	1254	937	1299	1072	1341	1214	1383	1363	1424	1518	1464	1679	1503	1844
4250	1324	1089	1366	1234	1406	1386	1445	1545	1484	1708	1522	1876	1559	2046
4500	1395	1262	1433	1417	1471	1579	1508	1745	1544	1913	1581	2084	1616	2256
4750	1465	1455	1501	1619	1536	1787	1571	1957	1606	2128	1641	2299	1675	2470
5000	1534	1666	1568	1834	1602	2004	1635	2174	1668	2345	1701	2514	1735	2682
5250	1603	1887	1635	2055	1667	2224	1699	2392	1731	2559	1763	2724	---	---
5500	1671	2110	1702	2275	1733	2441	1764	2605	---	---	---	---	---	---
5750	1738	2325	1768	2488	---	---	---	---	---	---	---	---	---	---

Total Air Volume cfm	Total Static Pressure - in. w.g.											
	1.6		1.8		2.0		2.2		2.4		2.6	
	RPM	Watts	RPM	Watts	RPM	Watts	RPM	Watts	RPM	Watts	RPM	Watts
1750	1172	833	1231	932	1287	1039	1340	1156	1391	1283	1442	1426
2000	1197	913	1253	1019	1306	1135	1357	1261	1407	1398	1457	1547
2250	1227	1003	1280	1117	1330	1242	1379	1378	1428	1525	1477	1680
2500	1261	1103	1311	1226	1360	1361	1407	1507	1454	1663	1501	1826
2750	1299	1219	1347	1350	1394	1494	1440	1649	1485	1813	1530	1982
3000	1342	1346	1388	1487	1432	1640	1476	1803	1520	1973	1563	2146
3250	1388	1485	1432	1638	1475	1800	1517	1969	1558	2143	1600	2319
3500	1437	1643	1479	1805	1519	1975	1560	2148	1600	2325	1640	2502
3750	1489	1821	1528	1990	1567	2164	1605	2340	1645	2517	1685	2693
4000	1541	2014	1579	2187	1616	2364	1654	2540	1693	2715	1732	2887
4250	1596	2218	1632	2393	1668	2569	1705	2742	1743	2913	---	---
4500	1652	2429	1687	2603	1722	2775	1759	2944	---	---	---	---
4750	1709	2641	1743	2811	1778	2979	---	---	---	---	---	---
5000	1768	2850	---	---	---	---	---	---	---	---	---	---
5250	---	---	---	---	---	---	---	---	---	---	---	---
5500	---	---	---	---	---	---	---	---	---	---	---	---
5750	---	---	---	---	---	---	---	---	---	---	---	---

BLOWER DATA

FACTORY INSTALLED BELT DRIVE KIT SPECIFICATIONS

Motor Efficiency	Nominal hp	Maximum hp	Drive Kit Number	RPM Range
Standard & High	2	2.3	1	590 - 890
Standard & High	2	2.3	2	800 - 1105
Standard & High	2	2.3	3	795 - 1195
Standard	3	3.45	4	730 - 970
Standard	3	3.45	5	940 - 1200
Standard	3	3.45	6	1015 - 1300
High	3	3.45	7	730 - 970
High	3	3.45	8	940 - 1200
High	3	3.45	9	1015 - 1300
Standard	5	5.75	10	900 - 1135
Standard	5	5.75	11	1040 - 1315
Standard	5	5.75	12	1125 - 1425

NOTE - Using total air volume and system static pressure requirements determine from blower performance tables rpm and motor output required. Maximum usable output of motors furnished are shown. In Canada, nominal motor output is also maximum usable motor output. If motors of comparable output are used, be sure to keep within the service factor limitations outlined on the motor nameplate.

NOTE - Units equipped with a supply air inverter option are limited to a motor service factor of 1.0.

POWER EXHAUST FAN PERFORMANCE

Return Air System Static Pressure	Air Volume Exhausted
in. w.g.	cfm
0	3175
0.05	2955
0.10	2685
0.15	2410
0.20	2165
0.25	1920
0.30	1420
0.35	1200

FACTORY INSTALLED OPTIONS/FIELD INSTALLED ACCESSORY AIR RESISTANCE - in. w.g.

Air Volume cfm	Wet Indoor Coil	Gas Heat Exchanger			Electric Heat	Econo-mizer	Humiditrol + Condenser Reheat Coil	Filters			Return Air Adaptor Plate
		Standard Heat	Medium Heat	High Heat				MERV 8	MERV 13	MERV 16	
1750	0.04	0.06	0.02	0.02	0.03	0.05	0.02	0.01	0.03	0.05	0.00
2000	0.05	0.07	0.05	0.06	0.03	0.06	0.02	0.01	0.03	0.06	0.00
2250	0.06	0.07	0.07	0.08	0.04	0.08	0.02	0.01	0.04	0.07	0.00
2500	0.07	0.09	0.10	0.11	0.04	0.11	0.03	0.01	0.05	0.08	0.00
2750	0.08	0.09	0.11	0.12	0.05	0.12	0.03	0.02	0.05	0.09	0.00
3000	0.09	0.11	0.12	0.13	0.06	0.13	0.03	0.02	0.06	0.10	0.02
3250	0.10	0.12	0.15	0.16	0.06	0.15	0.04	0.02	0.06	0.11	0.02
3500	0.11	0.12	0.16	0.17	0.09	0.15	0.04	0.03	0.07	0.12	0.04
3750	0.13	0.14	0.19	0.20	0.09	0.15	0.05	0.03	0.08	0.13	0.07
4000	0.14	0.14	0.21	0.22	0.09	0.19	0.05	0.04	0.08	0.14	0.09
4250	0.15	0.14	0.24	0.28	0.13	0.19	0.06	0.04	0.09	0.15	0.11
4500	0.17	0.15	0.26	0.32	0.14	0.22	0.07	0.04	0.09	0.17	0.12
4750	0.18	0.16	0.29	0.37	0.17	0.25	0.07	0.05	0.10	0.18	0.16
5000	0.20	0.16	0.34	0.43	0.20	0.29	0.08	0.06	0.10	0.19	0.18
5250	0.22	0.16	0.37	0.47	0.22	0.32	0.08	0.06	0.11	0.20	0.19
5500	0.23	0.18	0.44	0.54	0.25	0.34	0.09	0.07	0.12	0.22	0.22
5750	0.25	0.19	0.49	0.59	0.31	0.45	0.10	0.07	0.12	0.23	0.25
6000	0.27	0.20	0.54	0.64	0.33	0.52	0.10	0.08	0.13	0.24	0.27